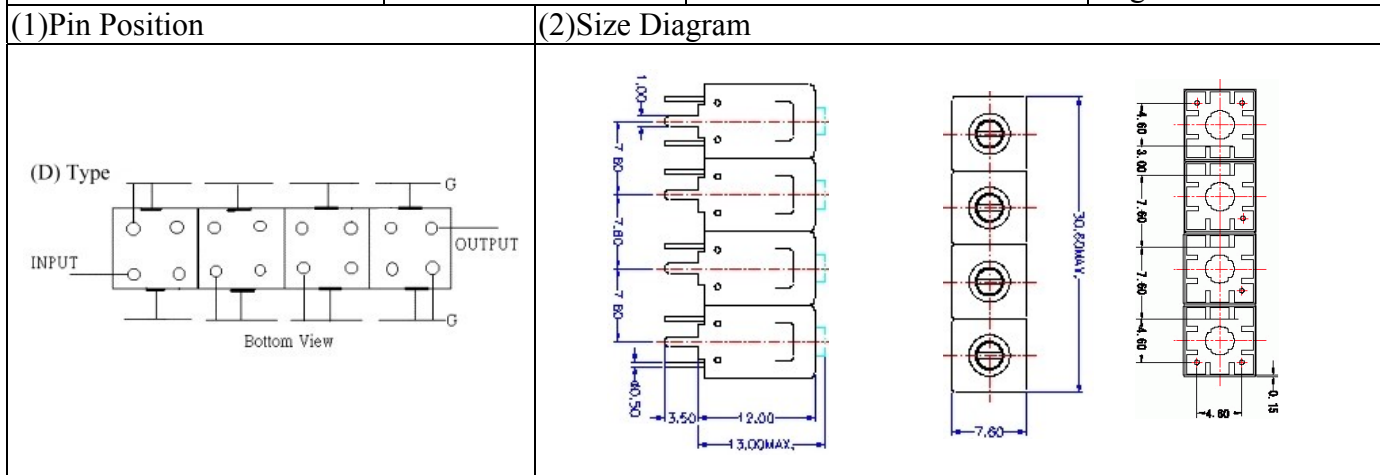


VHF UHF Helical Filter Specification Sheet

Customer Name		Temwell's Part No.	TF69514D-760M
Approval No. /dated	201006075CD	Temwell's Print Name	69514D 760M
Work Instruction No.	201006075CD	Date	Aug.31.2010



(3) Electric Characteristic

Item	Specify	Performance	
Center Freq.(Fo) +/- 0.5 %	760 MHz	760 MHz	
Insertion Loss	Typ 2.5 dB	1.50 dB	
-3 dB Bandwidth	Typ. 69 MHz	73.6 MHz	
Sensitivity (Attenuation)	Fo - 100 MHz	Typ. 48 dBc	50 dBc
	Fo + 100 MHz	Typ. 26 dBc	28 dBc
	Fo - ()MHz	Typ. dBc	dBc
	Fo +()MHz	Typ. dBc	dBc
Return Loss	Min. 12 dB	23.2 dB	
Ripple	< 1 dB	dB	
Impedance	In / Out : 50 Ω	In / Out : 50 Ω	

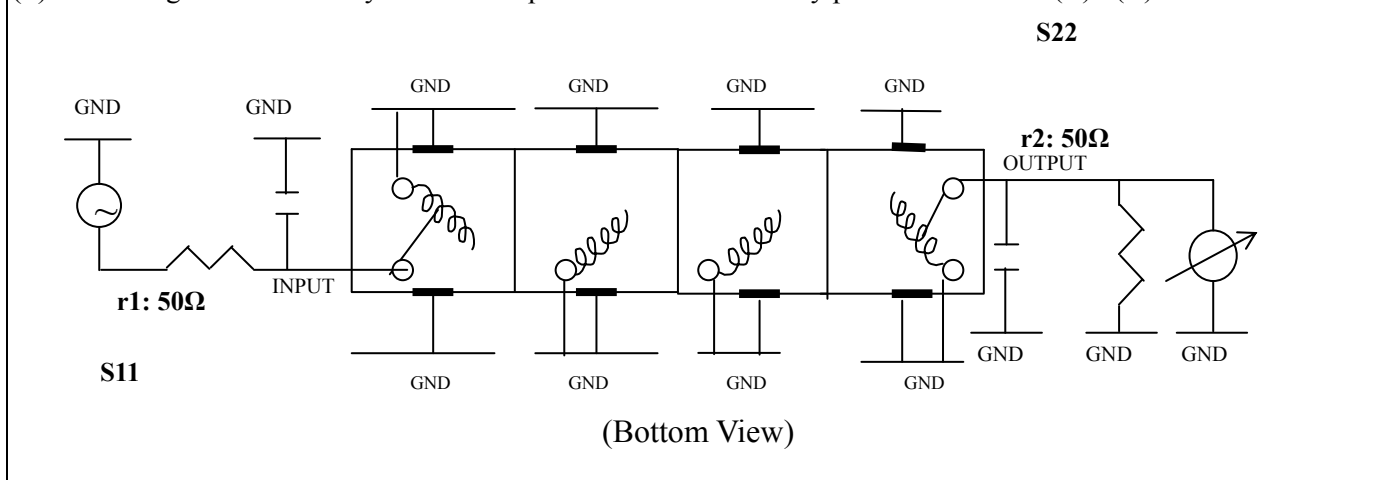
(4) Torque for Tuning Screw > 60gf · cm

(5) Temperature Condition:

Operating Temperature	0°C ~ +60°C
Storage Temperature	-20°C ~ +70°C

(6) Input Power > 1Watt

(7) Measuring Circuit: ※Easy to match Impedance S11/S22 50Ω by parallel with about(--)/(--).



Approval	Supervisor	Designer	Aperture size
C.Y.Chang	C.K.Chang	C.S.Chang	7H4S-4*6.5(6.56) 7H046LB5.5

TEMWELL CORPORATION

Performance-TF69514D-760M

201006075CD

Tr1 S11 Log Mag 5.000dB/ Ref 0.000dB [F2]

Tr2 S21 Log Mag 10.00dB/ Ref 0.000dB [F2]

