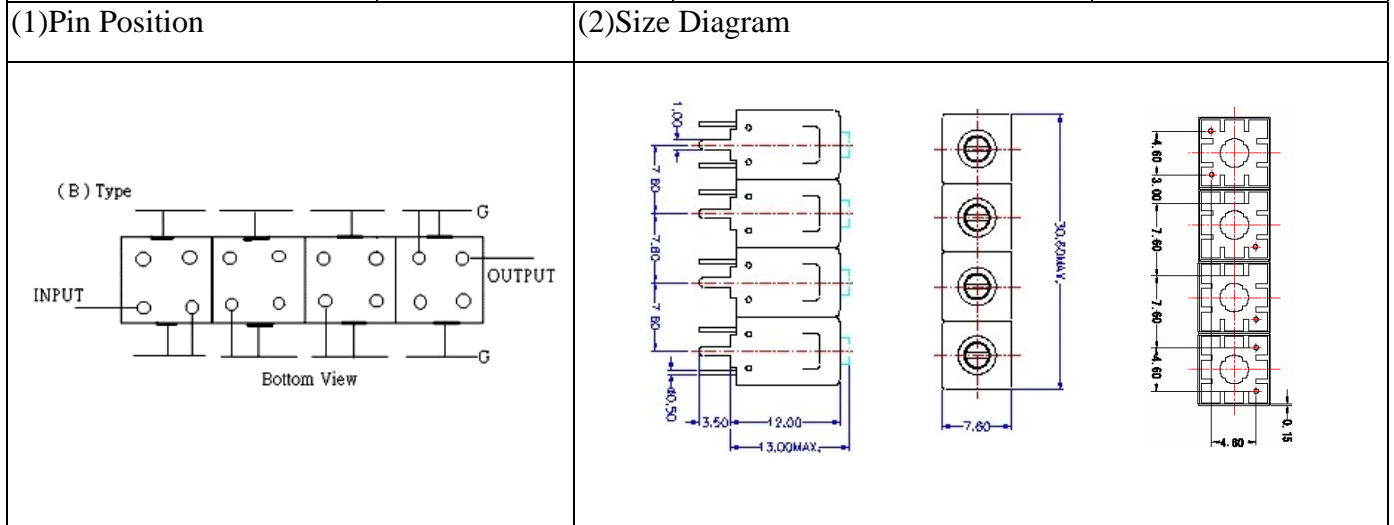


VHF UHF Helical Filter Specification Sheet

Customer Name		Temwell's Part No.	TF69495B-500M
Approval No. /dated	20201008DC	Acceptable Specify Fo Range	456~515MHz
Work Instruction No.	20201008DC	Date	Jan.9,2002



(3)Electric Charasteric

Item	Specify	Performance
Center Freq.(Fo) +/- 0.5 %	500 MHz	500 MHz
Insertion Loss	Typ. 2.0 dB	1.27 dB
-3 dB Bandwidth	Typ. 70 MHz	74 MHz
Sensitivity (Attenuation)	Fo - 100 MHz	Typ. 51 dBc
	Fo + 100 MHz	Typ. 32 dBc
	Fo - ()MHz	Typ. dBc
	Fo +()MHz	Typ. dBc
Return Loss	Min. 12 dB	15.8 dB
Ripple	< 1 dB	dB
Impedance	In / Out : 50 Ω	In / Out : 50 Ω

(4)Torque for Tuning Screw > 100gf • cm

(5)Temperature Condition:

Operating Temperature	0°C ~ +60°C
Storage Temperature	-20°C ~ +70°C

(6)Input Power > 1Watt

Approval	Supervisor	Designer	Aperture size
C. Y. Chang	C. S. Chang	C. S. Chang	7H4S(4*7.5) 7H046LB5.5

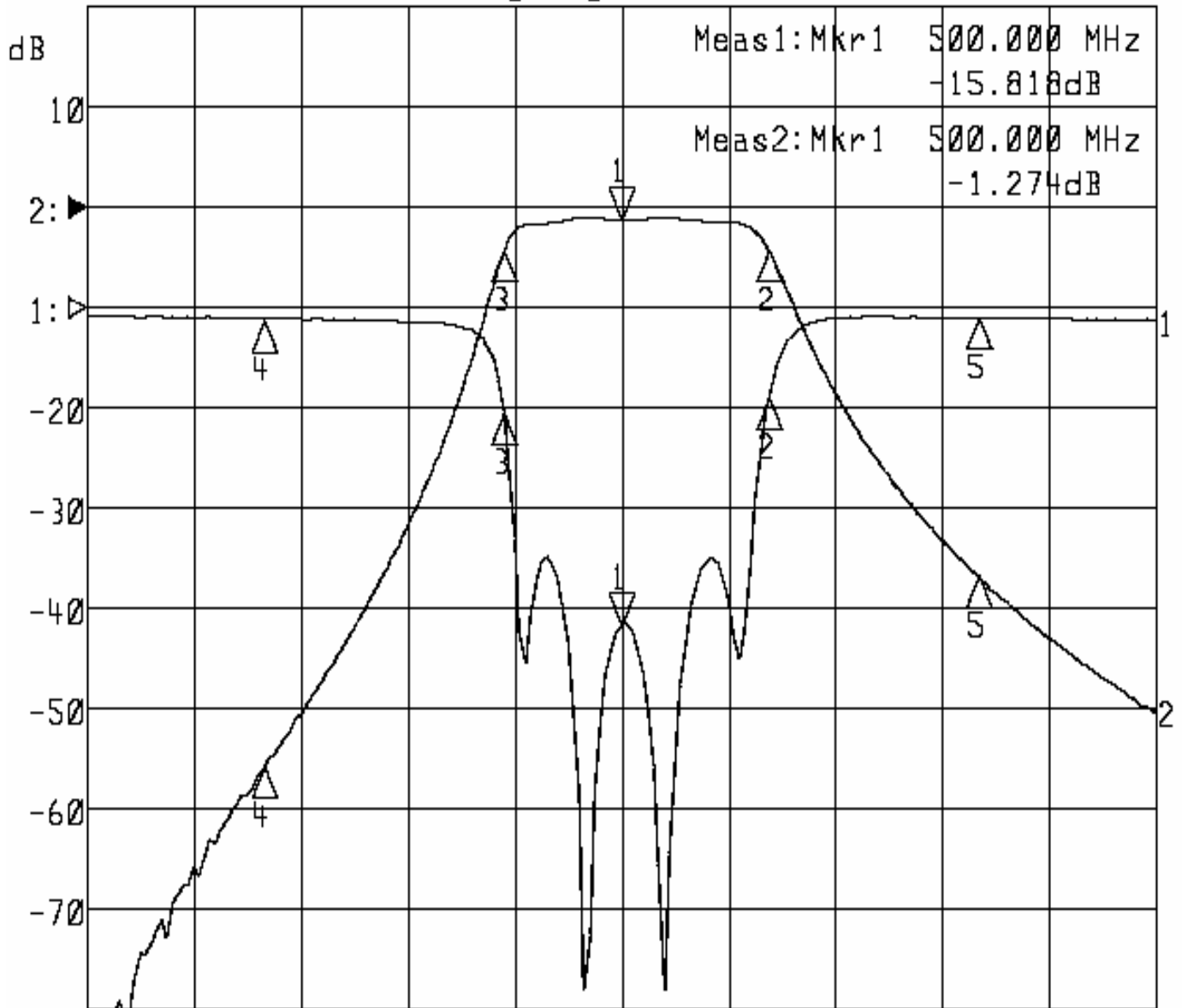
TEMWELL CORPORATION

Performance-TF69495B-500M

20201008DC

▷1:S11 Refl Port1 Log Mag 5.0 dB/ Ref 0.00 dB C

▶2:S21 Fwd Trans Log Mag 10.0 dB/ Ref 0.00 dB C



Meas1: Mkr1 500.000 MHz
-15.818dB

Meas2: Mkr1 500.000 MHz
-1.274dB

Center 500.000 MHz

Span 300.000 MHz

1: Mkr (MHz)	dB	2: Mkr (MHz)	dB
1> 500.0000	-15.818	1> 500.0000	-1.274
2: 541.2000	-4.556	2: 541.2000	-4.251
3: 467.1000	-5.302	3: 467.1000	-4.282
4: 400.0000	-0.585	4: 400.0000	-55.700
5: 600.0000	-0.544	5: 600.0000	-36.869