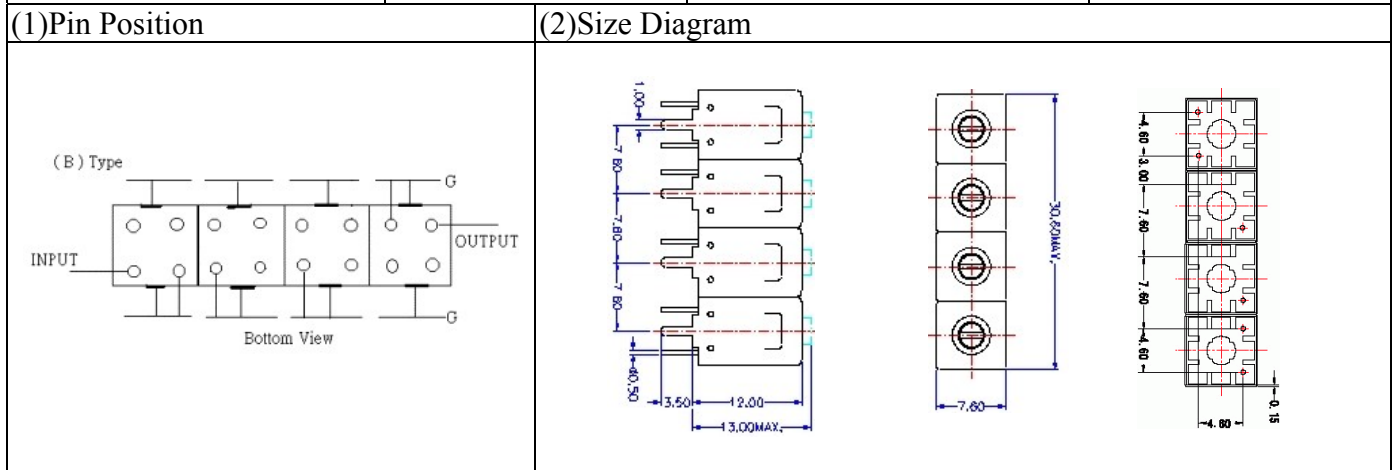


VHF UHF Helical Filter Specification Sheet

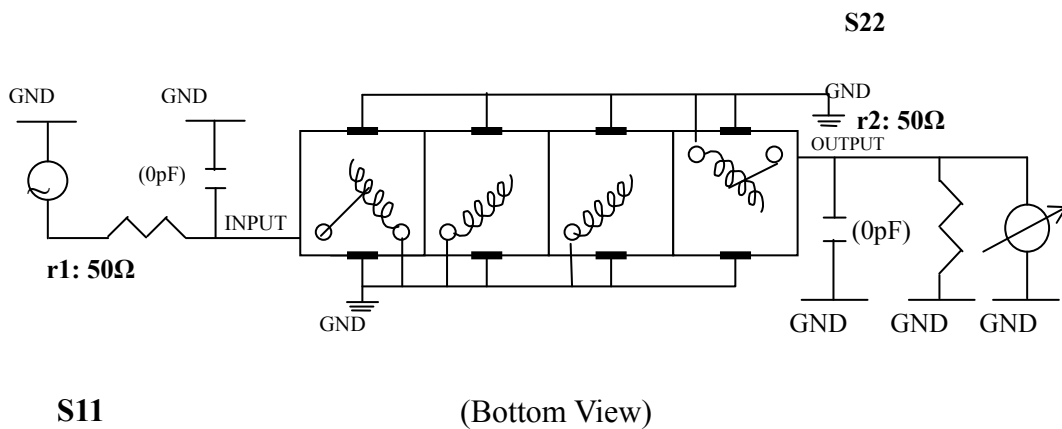
Customer Name		Temwell's Part No.	TF69493B-475M
Approval No. /dated	0901088CD	Temwell's Print Name	69493B 475M
Work Instruction No.	200901088CD	Date	Feb.11.2009



(3) Electric Characteristic

Item	Specify	Performance	
Center Freq.(Fo) +/- 0.5 %	475 MHz	475 MHz	
Insertion Loss	Typ. 2.0 dB	1.00 dB	
-3 dB Bandwidth	Typ. 65 MHz	69.3 MHz	
Sensitivity (Attenuation)	Fo - 100 MHz	Typ. 55 dBc	58 dBc
	Fo + 100 MHz	Typ. 33 dBc	36 dBc
	Fo - ()MHz	Typ. dBc	dBc
	Fo +()MHz	Typ. dBc	dBc
Return Loss	Min. 12 dB	28.2 dB	
Ripple	< 1 dB	dB	
Impedance	In / Out : 50 Ω	In / Out : 50 Ω	
(4) Torque for Tuning Screw	> 100gf · cm		
(5) Temperature Condition:			
Operating Temperature	0°C ~ +60°C		
Storage Temperature	-20°C ~ +70°C		
(6) Input Power	> 1Watt		

(7) Measuring Circuit: ※ Easy to match Impedance S11/S22 50Ω/ by parallel with about(0pF) / (0 pF).



Approval	Supervisor	Designer	Aperture size
C.Y.Chang	C.S.Chang	C.S.Chang	7H4(4*8.0F)(7.98) 7H046LB5.5
TEMWELL CORPORATION			

Performance-TF69493B-475M

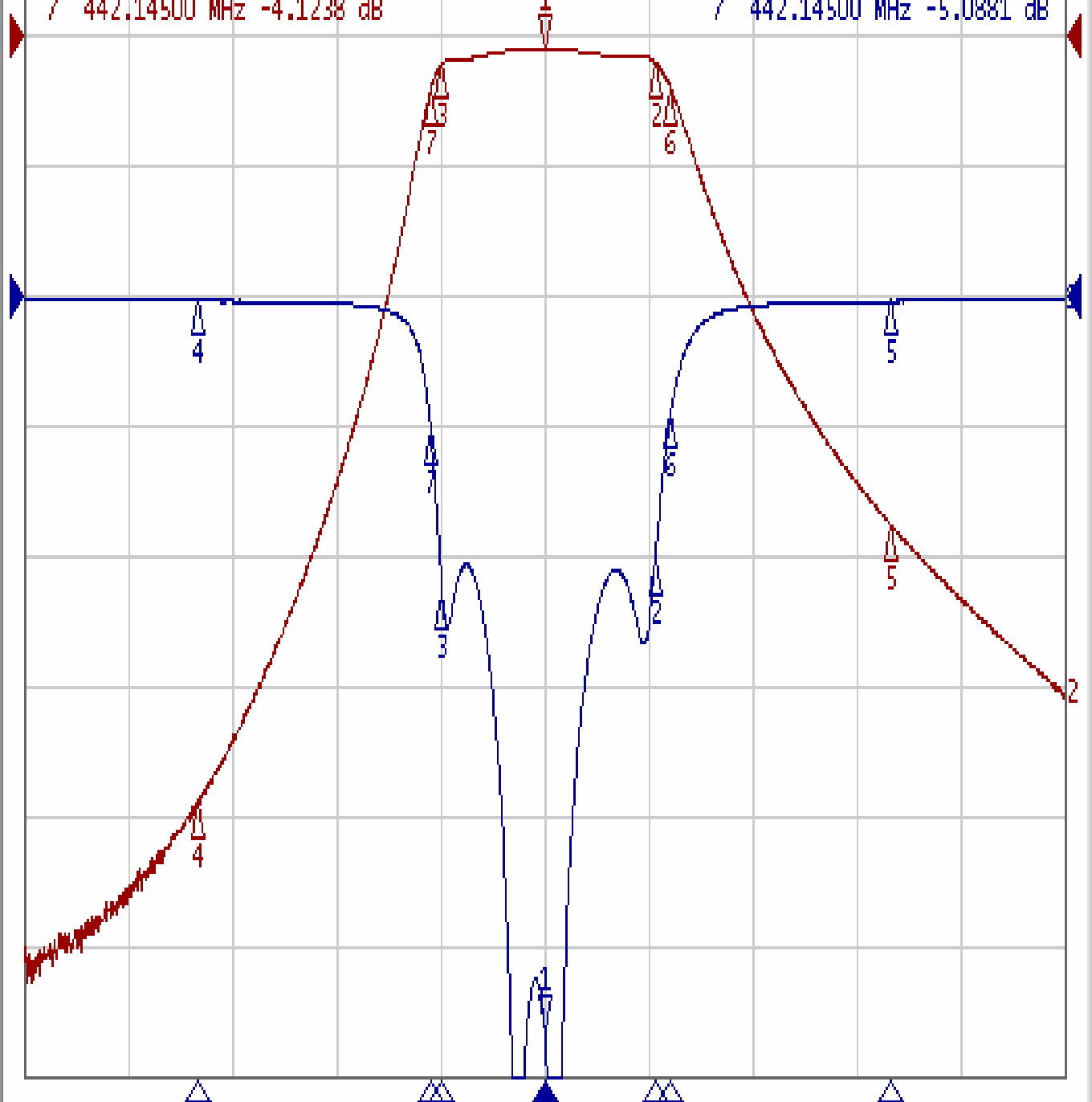
200901088CD

▶ Tr1 S11 Log Mag 5.000dB/ Ref 0.000dB [F3]

Tr2 S21 Log Mag 10.00dB/ Ref 0.000dB [F3]

1	475.00000 MHz	-1.0080 dB
2	506.98300 MHz	-1.9747 dB
3	445.44838 MHz	-2.0812 dB
4	375.00000 MHz	-59.018 dB
5	575.00000 MHz	-37.608 dB
6	511.47600 MHz	-4.0395 dB
7	442.14500 MHz	-4.1238 dB

>1	475.00000 MHz	-28.243 dB
2	506.98300 MHz	-10.095 dB
3	445.44838 MHz	-11.418 dB
4	375.00000 MHz	-0.1754 dB
5	575.00000 MHz	-0.1838 dB
6	511.47600 MHz	-4.4166 dB
7	442.14500 MHz	-5.0881 dB



1 Center 475 MHz

IFBW 10 kHz

Span 300 MHz

