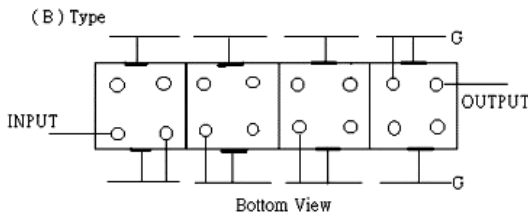
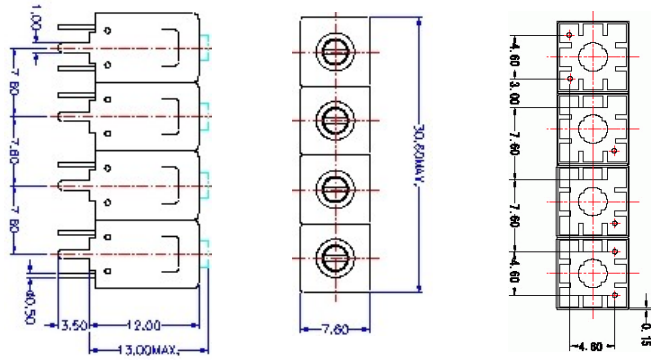


VHF UHF Helical Filter Specification Sheet

Customer Name		Temwell's Part No.	TF69491B-476M
Approval No. /dated	20306044DB	Acceptable Specify Fo. Range	456~515MHz
Work Instruction No.	20306044DB	Date	July.01.2003

(1)Pin Position	(2)Size Diagram
 <p>(B) Type INPUT OUTPUT Bottom View</p>	

(3)Electric Charasteric

Item	Specify	Performance
Center Freq.(Fo) +/- 0.5 %	476 MHz	476 MHz
Insertion Loss	Typ. 3.5 dB	2.78 dB
-3 dB Bandwidth	Typ. 17 MHz	20 MHz
Sensitivity (Attenuation)	Fo - 36 MHz	Typ. 48 dBc
	Fo + 36 MHz	Typ. 36 dBc
	Fo - ()MHz	Typ. dBc
	Fo +()MHz	Typ. dBc
Return Loss	Min. 12 dB	16.2 dB
Ripple	< 1 dB	dB
Impedance	In / Out : 50 Ω	In / Out : 50 Ω
(4)Torque for Tuning Screw	> 100gf · cm	

(5)Temperature Condition:

Operating Temperature	0°C ~ +60°C
Storage Temperature	-20°C ~ +70°C
(6)Input Power	> 1Watt

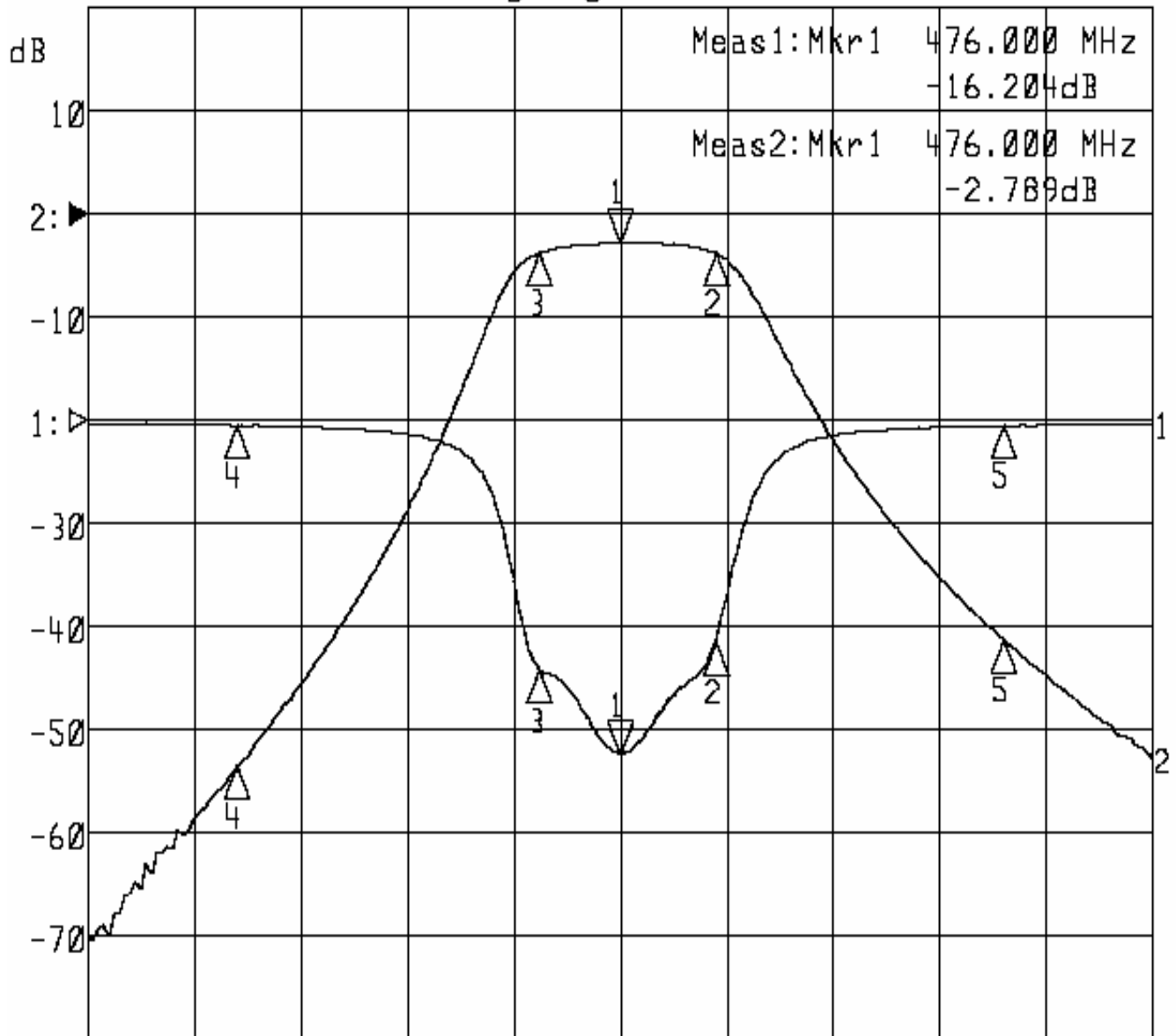
Approval	Supervisor	Designer	Aperture size
C. Y. Chang	C. S. Chang	C. S. Chang	7H4S(4*5.5) 7H046LB4 聚 3

TEMWELL CORPORATION

Performance-TF69491B-476M

20306044DB

►1:S11 Refl Port1 Log Mag 5.0 dB/ Ref 0.00 dB C
►2:S21 Fwd Trans Log Mag 10.0 dB/ Ref 0.00 dB C



Center 476.000 MHz

Span 100.000 MHz

1:Mkr (MHz)	dB	2:Mkr (MHz)	dB
1> 476.0000	-16.204	1> 476.0000	-2.789
2: 484.9000	-10.705	2: 484.9000	-3.760
3: 468.5000	-12.121	3: 468.5000	-3.762
4: 440.0000	-0.310	4: 440.0000	-53.586
5: 512.0000	-0.274	5: 512.0000	-41.217