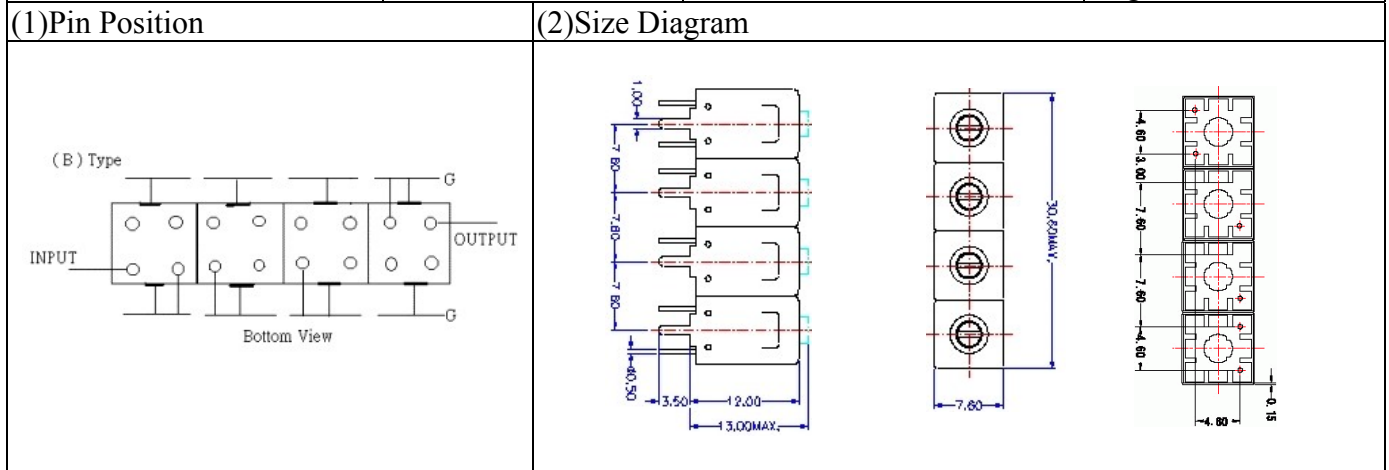


# VHF UHF Helical Filter Specification Sheet

Customer Name		Temwell's Part No.	TF69479B1-325M
Approval No. /dated	201008050CD	Temwell's Print Name	69479B1 325M
Work Instruction No.	201008050CD	Date	Aug.04.2010



(3) Electric Characteristic

Item	Specify	Performance	
Center Freq.(Fo ) +/- 0.5 %	325 MHz	325 MHz	
Insertion Loss	Typ. 6.5 dB	5.73 dB	
-3 dB Bandwidth	Typ. 3 MHz	6.7 MHz	
Sensitivity (Attenuation )	Fo - 20 MHz	Typ. 60 dBc	65 dBc
	Fo + 20 MHz	Typ. 50 dBc	55 dBc
	Fo - ( )MHz	Typ. dB	dB
	Fo +( )MHz	Typ. dB	dB
Return Loss	Min. 12 dB	20.1 dB	
Ripple	< 1 dB	dB	
Impedance	In / Out : 50 Ω	In / Out : 50 Ω	

(4) Torque for Tuning Screw > 60gf · cm

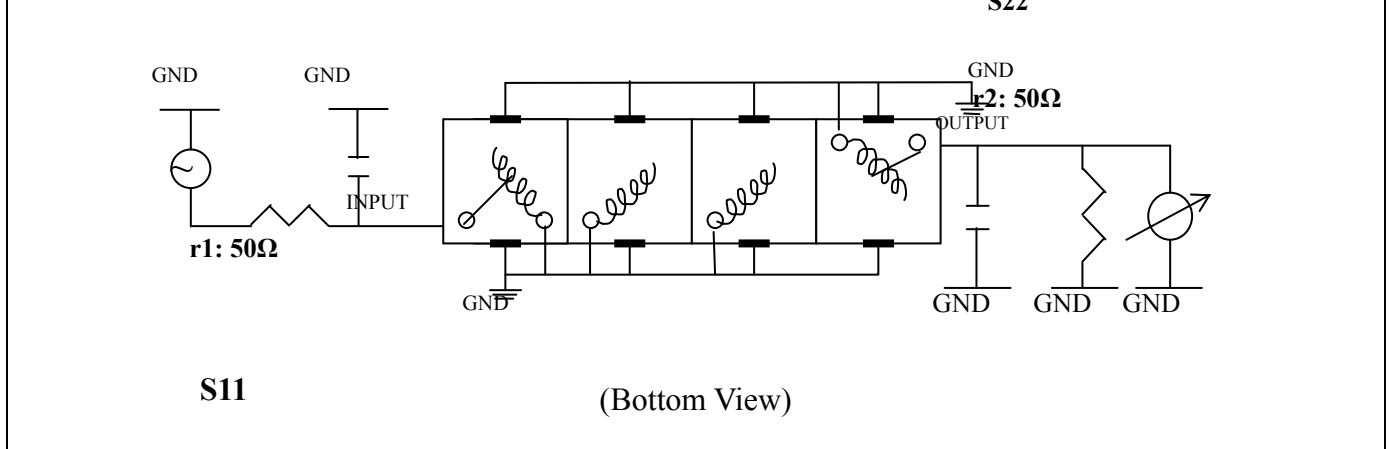
(5) Temperature Condition:

Operating Temperature 0°C ~ +60°C

Storage Temperature -20°C ~ +70°C

(6) Input Power > 1Watt

(7) Measuring Circuit: ※Easy to match Impedance S11/S22 50Ω/ by parallel with about(--)/ (--).



Approval	Supervisor	Designer	Aperture size
C.Y.Chang	C.K.Chang	P.H.Chiang	7H4(4*5.5)(5.55) 7H024LB4.3 聚 3

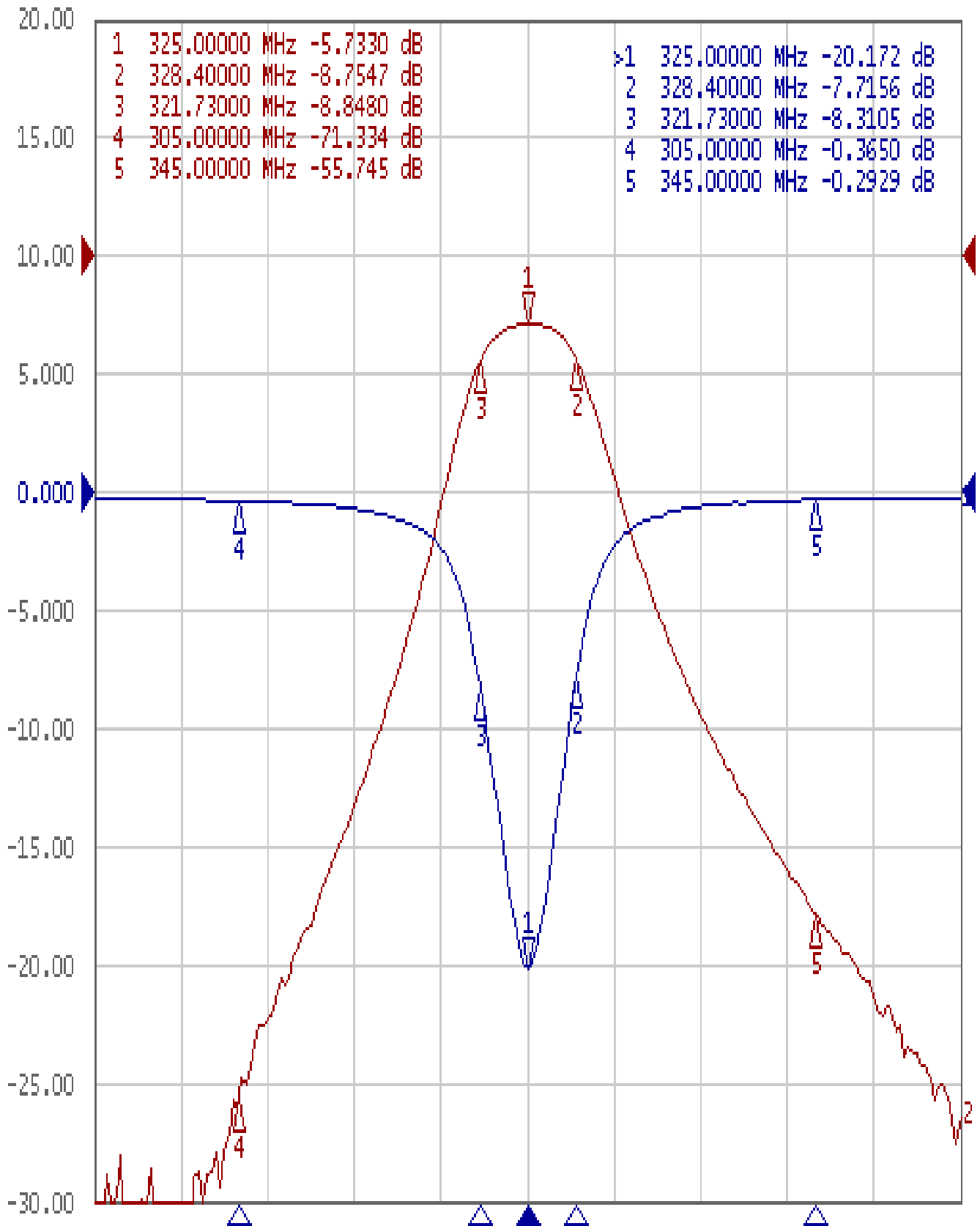
TEMWELL CORPORATION

# Performance-TF69479B1-325M

201008050CD

▶ Tr1 S11 Log Mag 5.000dB/ Ref 0.000dB [F2]

Tr2 S21 Log Mag 10.00dB/ Ref 0.000dB [F2]



1 Center 325 MHz

IFBW 70 kHz

Span 60 MHz Cor !