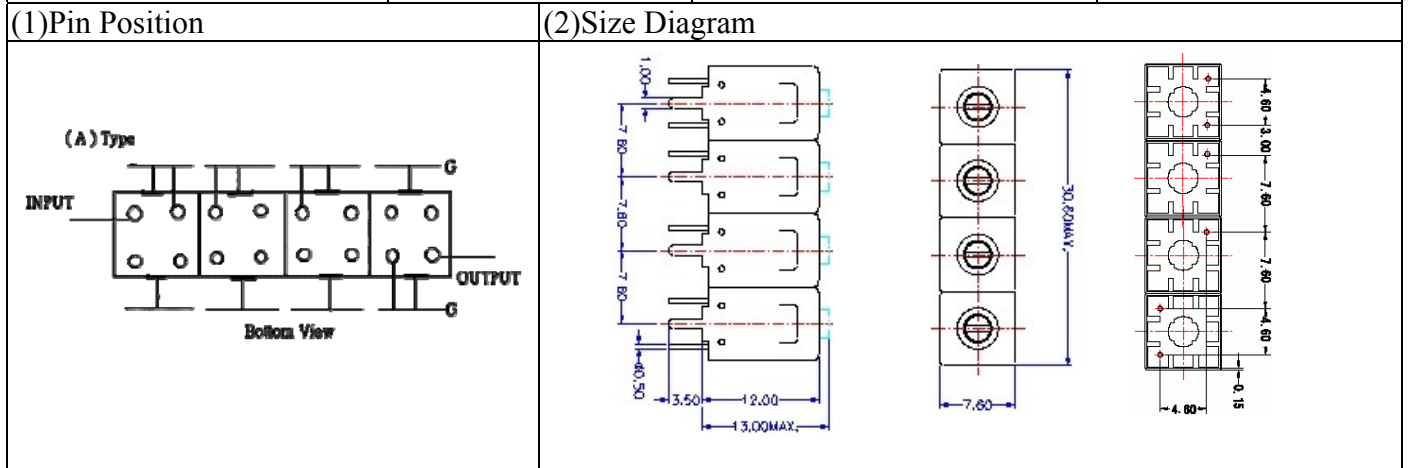
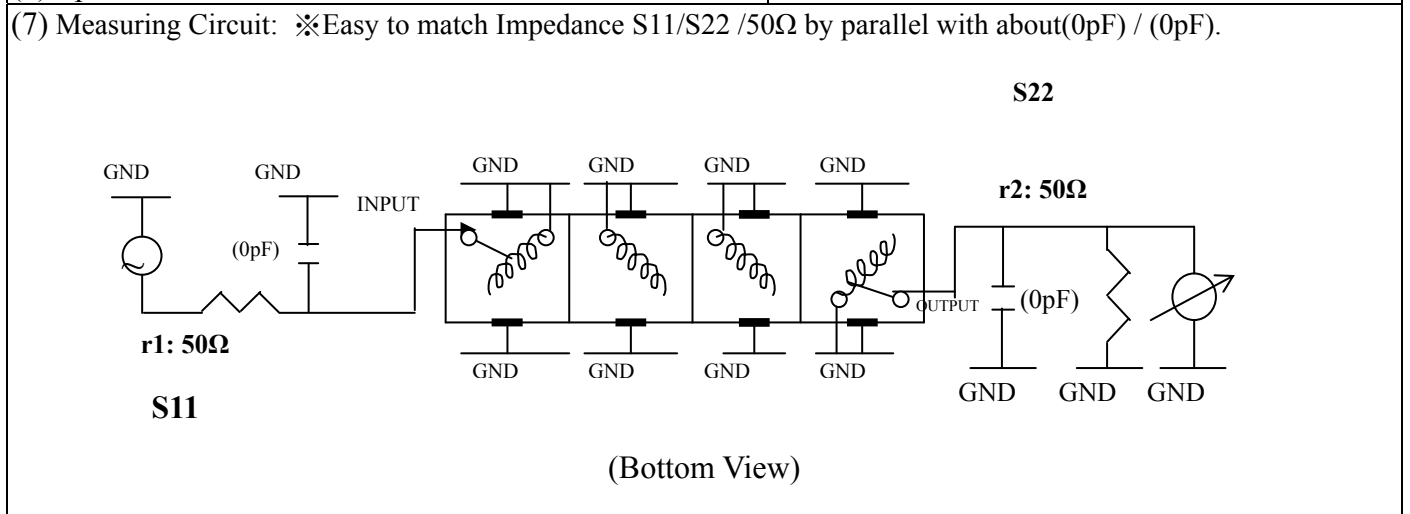


VHF UHF Helical Filter Specification Sheet

Customer Name		Temwell's Part No.	TF69471A1-1015M
Approval No. /dated	20105014APR	Temwell's Print Name	69471A 1015M
Work Instruction No.	20105014DB	Date	Mar.05.2009



Item		Specify	Performance
Center Freq.(Fo) +/- 0.5 %		1015 MHz	1015 MHz
Insertion Loss		Typ. 4.0 dB	3.01 dB
-3 dB Bandwidth		Typ. 25 MHz	32.9 MHz
Sensitivity (Attenuation)	Fo - 50 MHz	Typ. 48 dBc	51 dBc
	Fo + 50 MHz	Typ. 35 dBc	38 dBc
	Fo - ()MHz	Typ. dBc	dBc
	Fo +()MHz	Typ. dBc	dBc
Return Loss		Min. 12 dB	16.6 dB
Ripple		< 1 dB	dB
Impedance		In / Out : 50 Ω	In / Out : 50 Ω
(4) Torque for Tuning Screw		> 100gf · cm	
(5) Temperature Condition:			
Operating Temperature		0°C ~ +60°C	
Storage Temperature		-20°C ~ +70°C	
(6) Input Power		> 1Watt	



Approval	Supervisor	Designer	Aperture size
C.Y.Chang	C.K.Chang	C.S.Chang	7H4S(4*5.5F) (7H046LB4.3 聚 3)
TEMWELL CORPORATION			

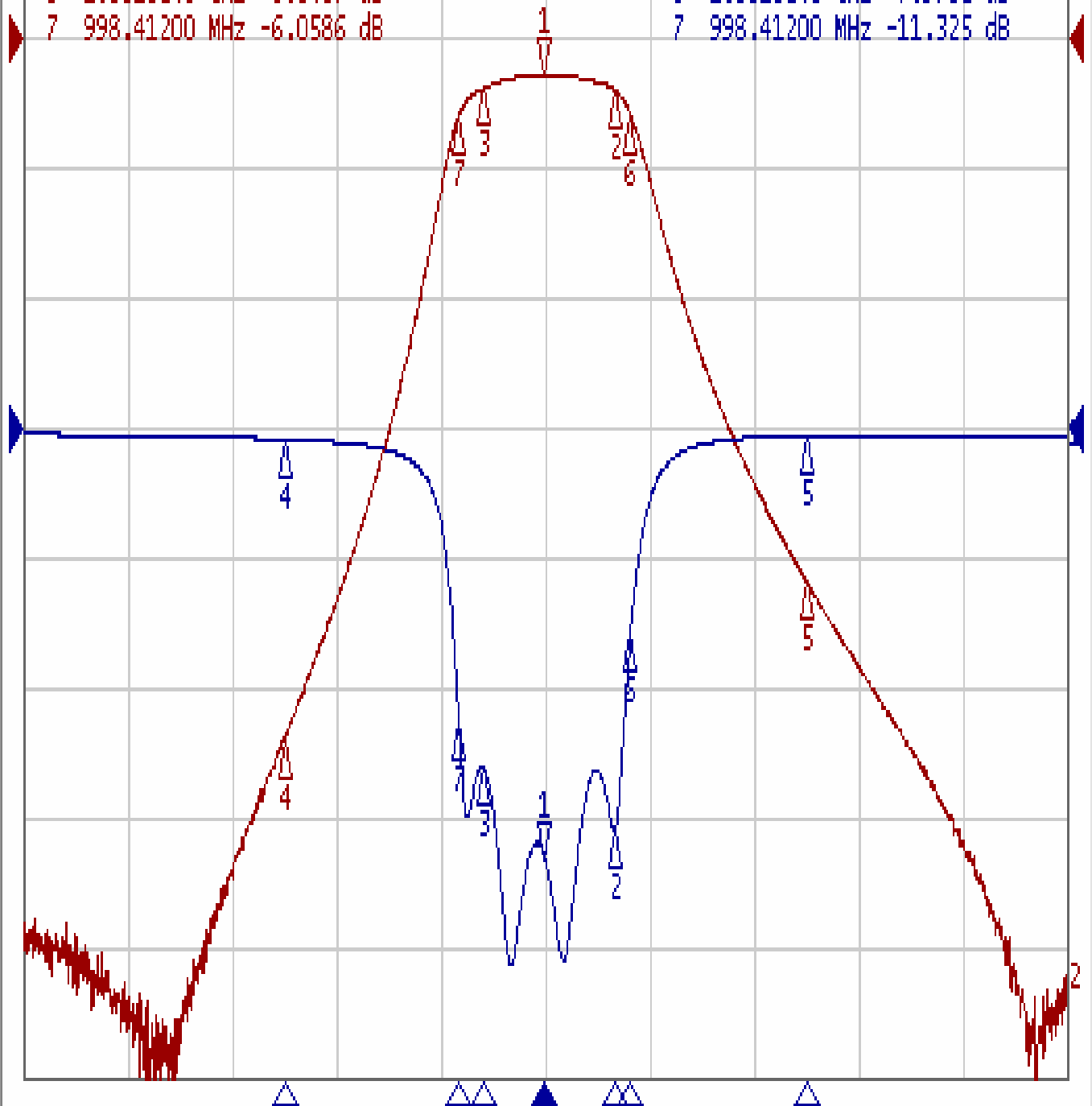
Performance-TF69471A1-1015M

20105014DB

Tr1 S11 Log Mag 5.000dB/ Ref 0.000dB [F3]
Tr2 S21 Log Mag 10.000dB/ Ref 0.000dB [F3]

1	1.0150000 GHz	-3.0128 dB
2	1.0282395 GHz	-4.0598 dB
3	1.0030238 GHz	-3.9945 dB
4	965.00000 MHz	-54.101 dB
5	1.0650000 GHz	-41.863 dB
6	1.0313240 GHz	-6.0407 dB
7	998.41200 MHz	-6.0586 dB

>1	1.0150000 GHz	-16.633 dB
2	1.0282395 GHz	-15.435 dB
3	1.0030238 GHz	-13.104 dB
4	965.00000 MHz	-0.4656 dB
5	1.0650000 GHz	-0.3169 dB
6	1.0313240 GHz	-7.9702 dB
7	998.41200 MHz	-11.325 dB



1 Center 1.015 GHz

IFBW 10 kHz

Span 200 MHz

