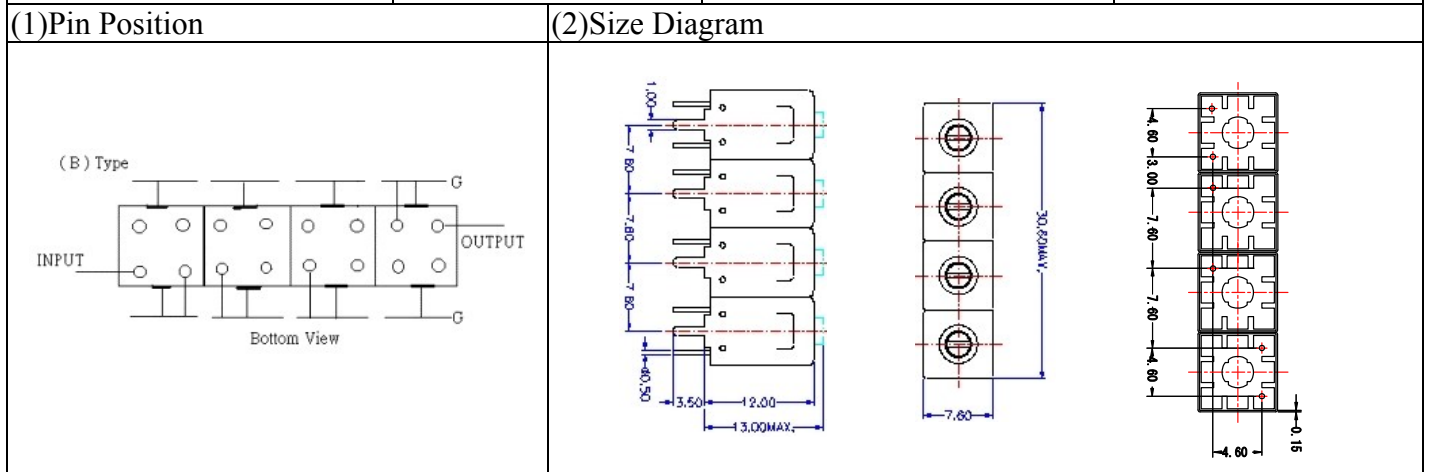


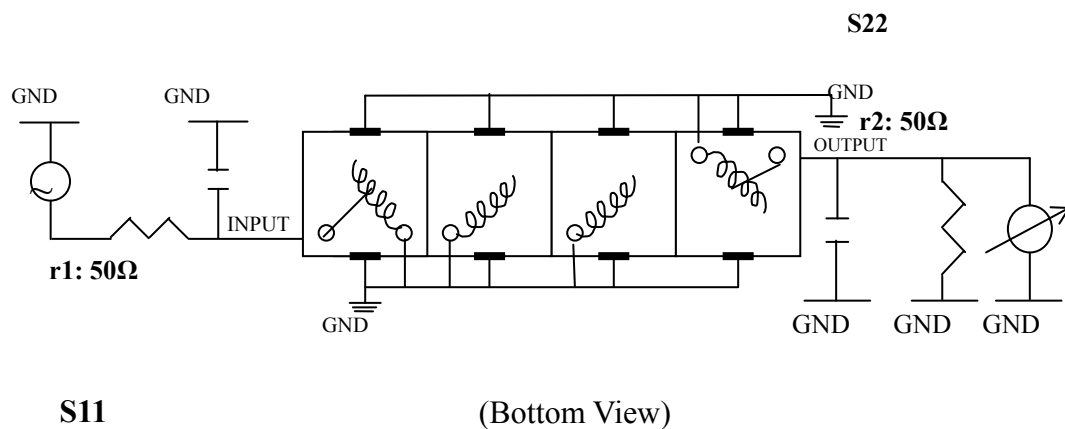
VHF UHF Helical Filter Specification Sheet

Customer Name		Temwell's Part No.	TF69463B-465M
Approval No. /dated	201703039CD	Temwell's Print Name	69463B 465M
Work Instruction No.	201703039CD	Date	Mar.08.2017



(3) Electric Characteristic			
Item	Specify	Performance	
Center Freq.(Fo) +/- 0.5 %	465 MHz	465	MHz
Insertion Loss	Typ. 4.0 dB	3.29	dB
-3 dB Bandwidth	Typ. 8 MHz	14.7	MHz
Sensitivity (Attenuation)	Fo - 50 MHz	Typ. 67	dBc
	Fo +50 MHz	Typ. 53	dBc
	Fo - ()MHz	Typ.	dBc
	Fo +()MHz	Typ.	dBc
Return Loss	Min. 12 dB	28.7	dB
Ripple	< 1 dB		dB
Impedance	In / Out : 50 Ω	In / Out : 50 Ω	
(4) Torque for Tuning Screw		> 60gf · cm	
(5) Temperature Condition:			
Operating Temperature	0°C ~ +60°C		
Storage Temperature	-20°C ~ +70°C		
(6) Input Power		> 1Watt	

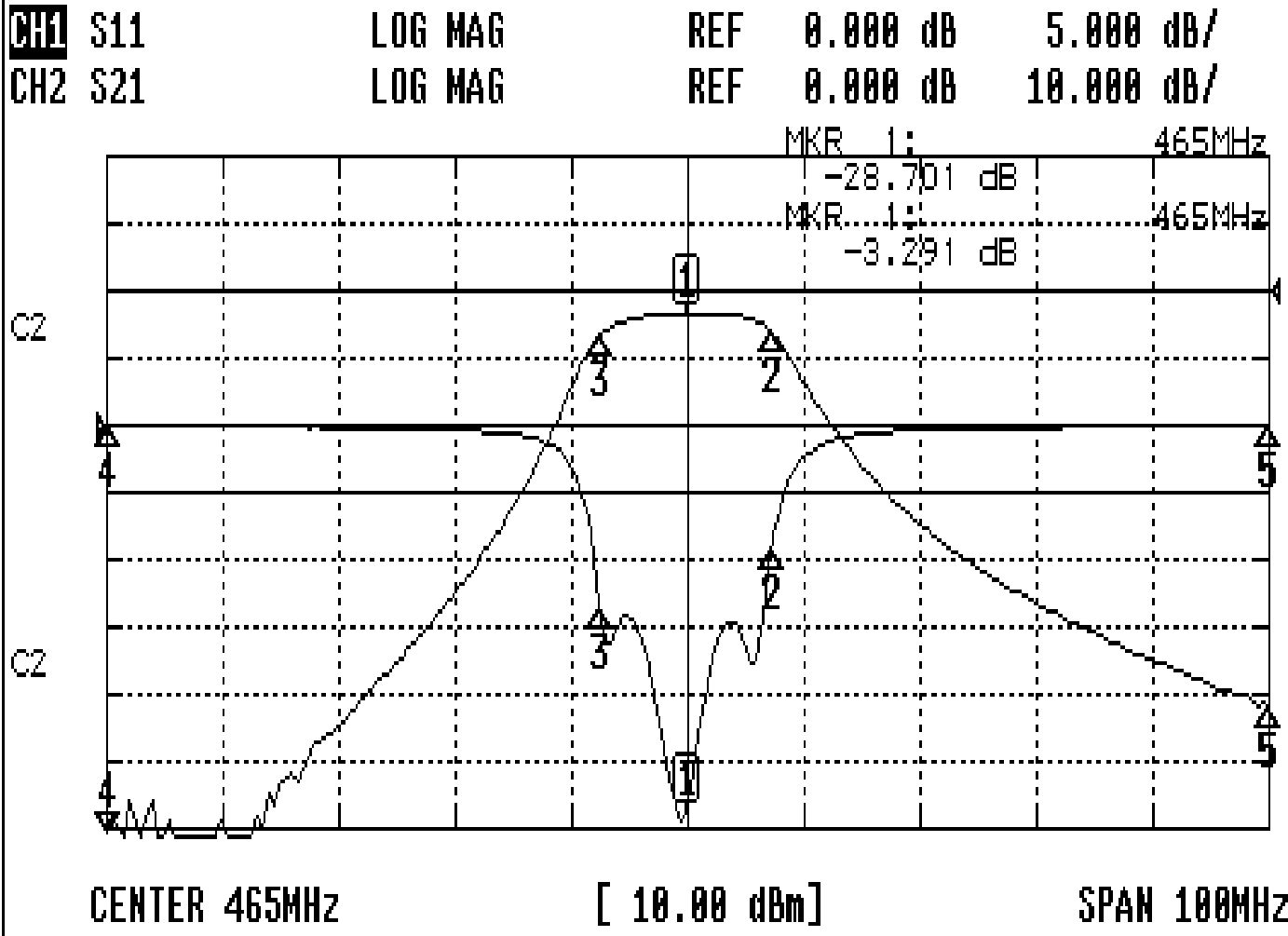
(7) Measuring Circuit: ※Easy to match Impedance S11/S22 50Ω by parallel with about(- -).



Approval	Supervisor	Designer	Aperture size
C.Y.Chang	C.K.Chang	Y.C.Kuo	7H4S(4*5.6)(5.63) 7H046RB4
TEMWELL CORPORATION			

Performance-TF69463B-465M

201703039CD



CH1 MARKER LIST

1:	465.000MHz	-28.701	dB
2:	472.333MHz	-9.028	dB
3:	457.583MHz	-13.714	dB
4:	415.000MHz	-0.093	dB
5:	515.000MHz	-0.070	dB
10:			

CH2 MARKER LIST

1:	465.000MHz	-3.291	dB
2:	472.333MHz	-6.247	dB
3:	457.583MHz	-6.242	dB
4:	415.000MHz	-01.054	dB
5:	515.000MHz	-61.805	dB
10:			