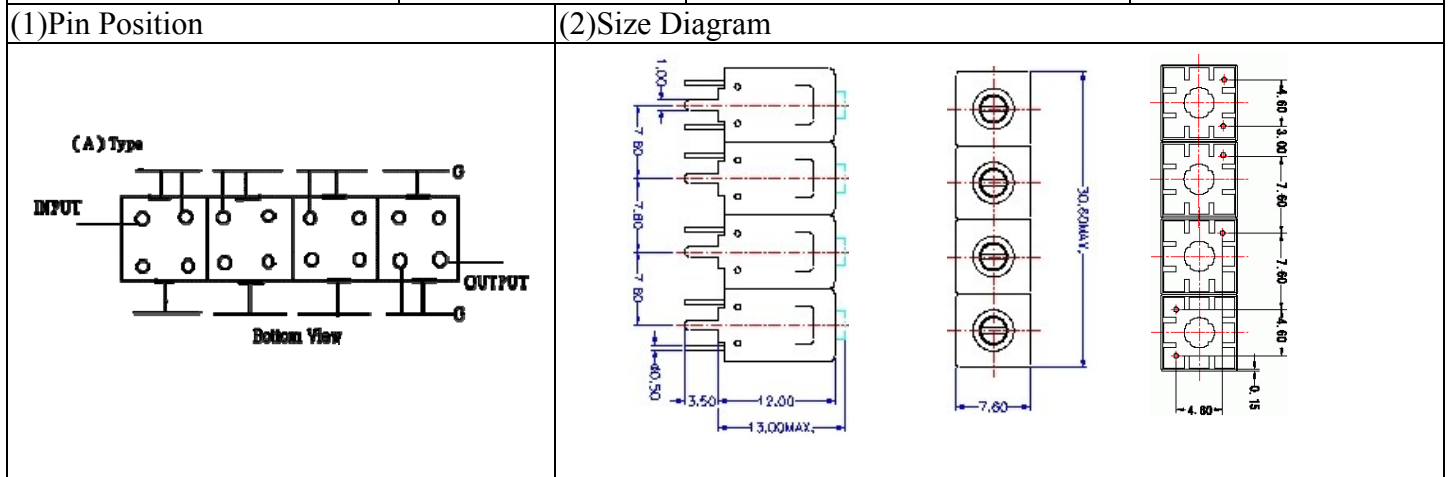


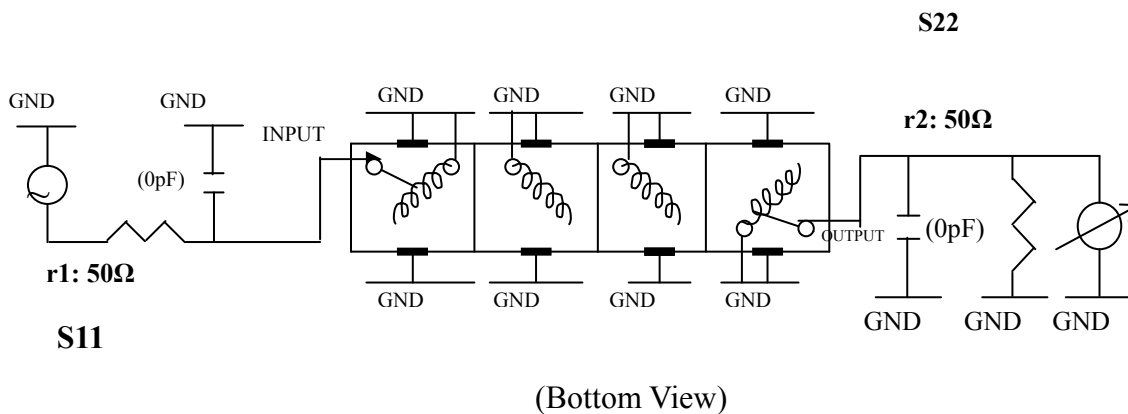
VHF UHF Helical Filter Specification Sheet

Customer Name		Temwell's Part No.	TF69462A-455M
Approval No. /dated	0712097APR	Acceptable Specify Fo Range	401~455MHz
Work Instruction No.	0712097CD	Date	Jan.09.2008



(3) Electric Characteristic					
Item		Specify		Performance	
Center Freq.(Fo) +/- 0.5 %		455 MHz		455 MHz	
Insertion Loss		Typ. 5.5 dB		4.52 dB	
-3 dB Bandwidth		Typ. 10 MHz		12.9 MHz	
Sensitivity (Attenuation)	Fo - 50 MHz	Typ. 65 dBc		70 dBc	
	Fo + 50 MHz	Typ. 60 dBc		65 dBc	
	Fo - ()MHz	Typ. dBc		dBc	
	Fo +()MHz	Typ. dBc		dBc	
Return Loss		Min. 12 dB		27.0 dB	
Ripple		< 1 dB		dB	
Impedance		In / Out : 50 Ω		In / Out : 50 Ω	
(4) Torque for Tuning Screw		> 100gf • cm			
(5) Temperature Condition:					
Operating Temperature		0°C ~ +60°C			
Storage Temperature		-20°C ~ +70°C			
(6) Input Power		> 1Watt			

(7) Measuring Circuit: ※Easy to match Impedance S11/S22 50Ω/50Ω by parallel with about(0pF) / (0pF).



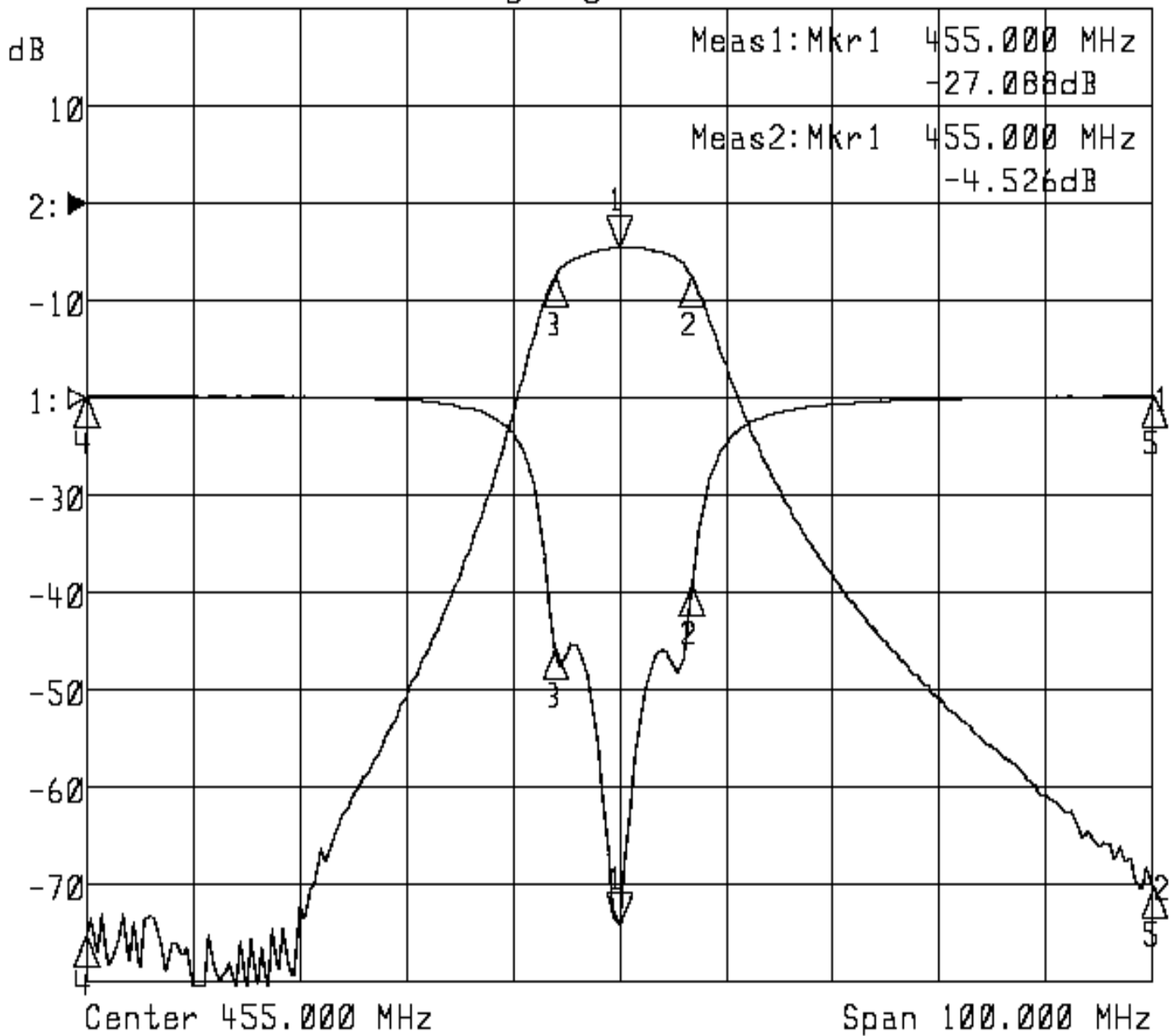
Approval	Supervisor	Designer	Aperture size
C.Y.Chang	C.S.Chang	Y.H.Chuan	7H4(4*5.5)F 7H046LB4 聚 3

TEMWELL CORPORATION

Performance-TF69462A-455M

0712097CD

▶1:S11 Refl Port1 Log Mag 5.0 dB/ Ref 0.00 dB C
▶2:S21 Fwd Trans Log Mag 10.0 dB/ Ref 0.00 dB C



1:Mkr (MHz)	dB	2:Mkr (MHz)	dB
1> 455.0000	-27.088	1> 455.0000	-4.526
2: 461.8333	-9.639	2: 461.8333	-7.527
3: 448.9333	-12.826	3: 448.9333	-7.570
4: 405.0000	0.098	4: 405.0000	-75.174
5: 505.0000	0.099	5: 505.0000	-70.152