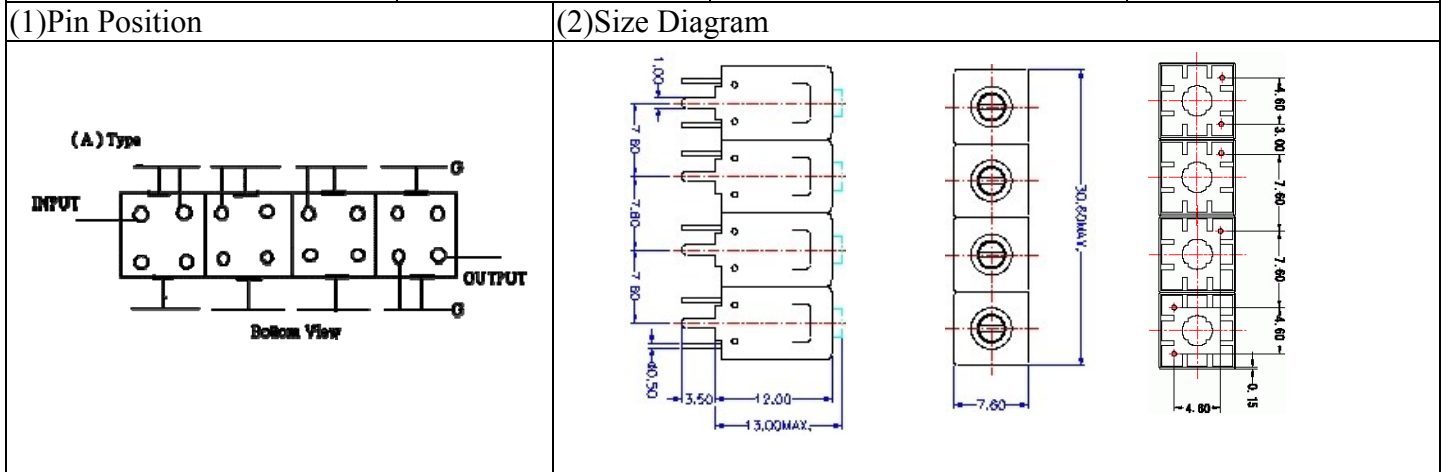


VHF UHF Helical Filter Specification Sheet

Customer Name		Temwell's Part No.	TF69461A1-395M
Approval No. /dated	0903060CD	Temwell's Print Name	69461A 395M
Work Instruction No.	200903060CD	Date	Mar.23.2009



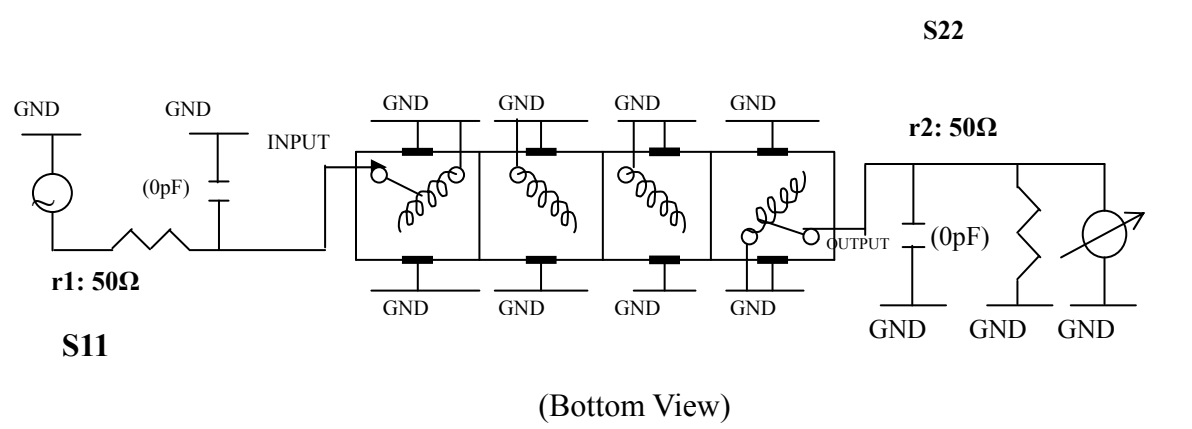
Item		Specify	Performance
Center Freq.(Fo) +/- 0.5 %		395 MHz	395 MHz
Insertion Loss		Typ. 5.5 dB	4.79 dB
-3 dB Bandwidth		Typ. 4 MHz	9.4 MHz
Sensitivity (Attenuation)	Fo - 40 MHz	Typ. 65 dBc	74 dBc
	Fo + 40 MHz	Typ. 50 dBc	57 dBc
	Fo - ()MHz	Typ. dBc	dBc
	Fo +()MHz	Typ. dBc	dBc
Return Loss		Min. 12 dB	33.2 dB
Ripple		< 1 dB	dB
Impedance		In / Out : 50 Ω	In / Out : 50 Ω

(4) Torque for Tuning Screw > 100gf · cm

(5) Temperature Condition:
 Operating Temperature 0°C ~ +60°C
 Storage Temperature -20°C ~ +70°C

(6) Input Power > 1Watt

(7) Measuring Circuit: ※Easy to match Impedance S11/S22 /50Ω by parallel with about(0pF) / (0pF).



Approval	Supervisor	Designer	Aperture size
C.Y.Chang	C.S.Chang	P.H.Chiang	7H4S(4*5.5) 7H046LB4.3 聚 3

TEMWELL CORPORATION

Performance-TF69461A1-395M

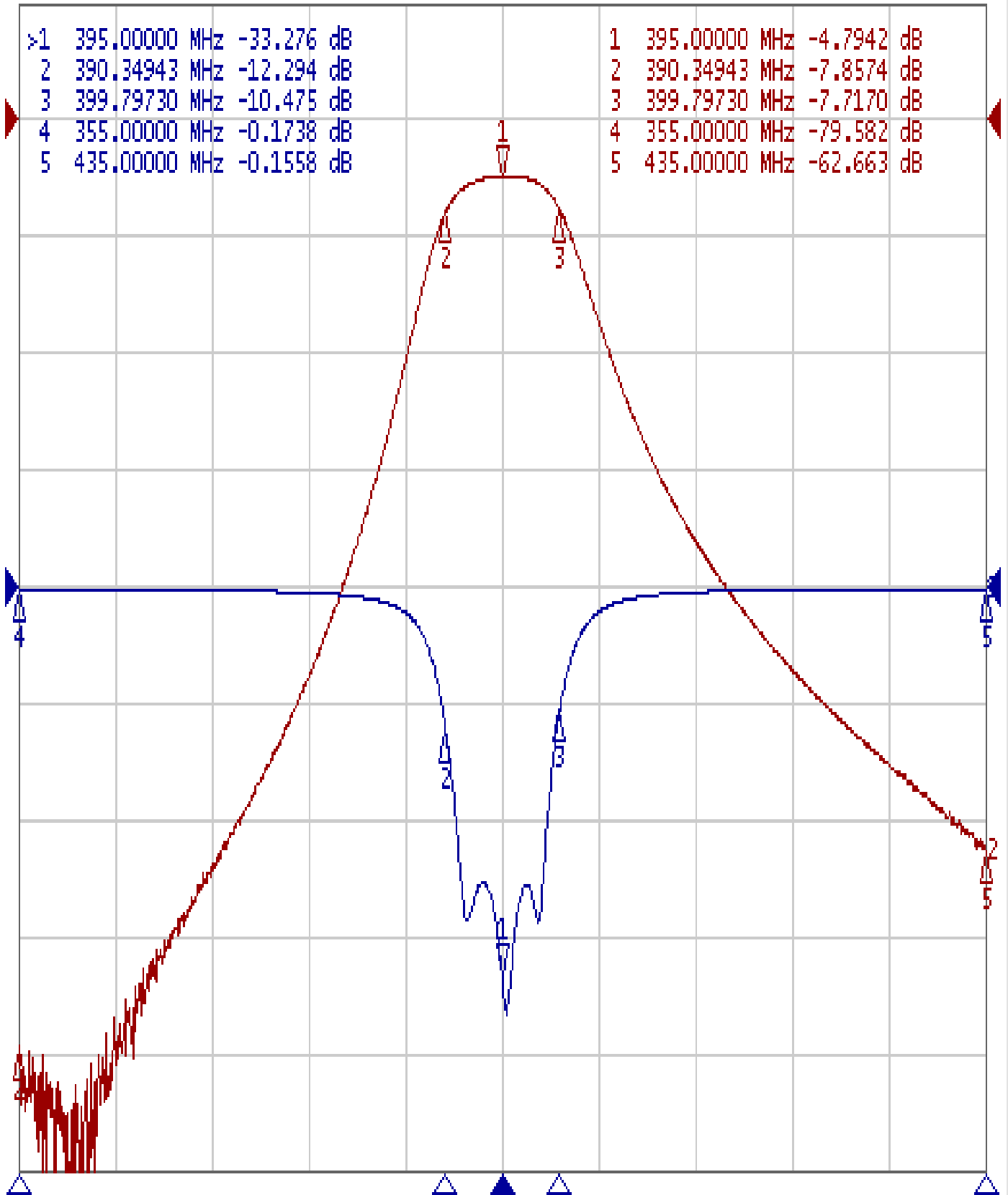
200903060CD

Tr1 S11 Log Mag 10.00dB/ Ref 0.000dB [F2]

Tr2 S21 Log Mag 10.00dB/ Ref 0.000dB [F2]

>1	395.00000 MHz	-33.276 dB
2	390.34943 MHz	-12.294 dB
3	399.79730 MHz	-10.475 dB
4	355.00000 MHz	-0.1738 dB
5	435.00000 MHz	-0.1558 dB

1	395.00000 MHz	-4.7942 dB
2	390.34943 MHz	-7.8574 dB
3	399.79730 MHz	-7.7170 dB
4	355.00000 MHz	-79.582 dB
5	435.00000 MHz	-62.663 dB



1 Center 395 MHz

IFBW 10 kHz

Span 80 MHz

Cor