

VHF UHF Helical Filter Specification Sheet

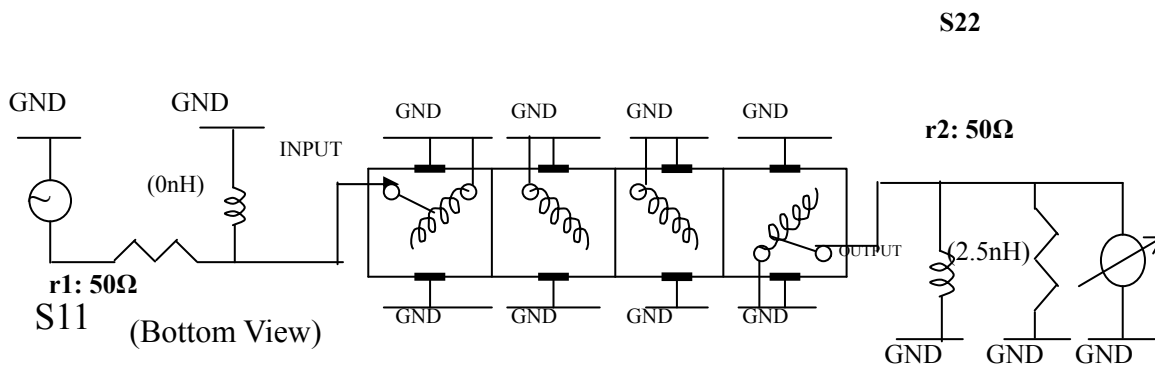
Customer Name		Temwell's Part No.	TF69457A-508M
Approval No. /dated	0903047CD	Temwell's Print Name	69457A 508M
Work Instruction No.	200903047CD	Date	MAR.24.2009

<p>(1) Pin Position</p>	<p>(2) Size Diagram</p>
-------------------------	-------------------------

(3) Electric Characteristic			
Item	Specify		Performance
Center Freq.(Fo) +/- 0.5 %	508	MHz	508 MHz
Insertion Loss	Typ. 6.5	dB	5.05 dB
-1 dB Bandwidth	Typ. 4.0	MHz	6.8 MHz
-3 dB Bandwidth	Typ. 7.0	MHz	9.8 MHz
Sensitivity (Attenuation)	Fo - 40 MHz	Typ. 60	dBc
	Fo + 50 MHz	Typ. 60	dBc
	Fo - ()MHz	Typ.	dBc
	Fo +()MHz	Typ.	dBc
Return Loss	Min. 12	dB	21.9 dB
Ripple	< 1	dB	dB
Impedance	In / Out : 50 Ω		In / Out : 50 Ω
(4) Torque for Tuning Screw		> 100gf · cm	

(5) Temperature Condition:	
Operating Temperature	0°C ~ +60°C
Storage Temperature	-20°C ~ +70°C
(6) Input Power	> 1Watt

(7) Measuring Circuit: ※Easy to match Impedance S11/S22 50Ω by parallel with about(0 nH) / (2.5 nH).

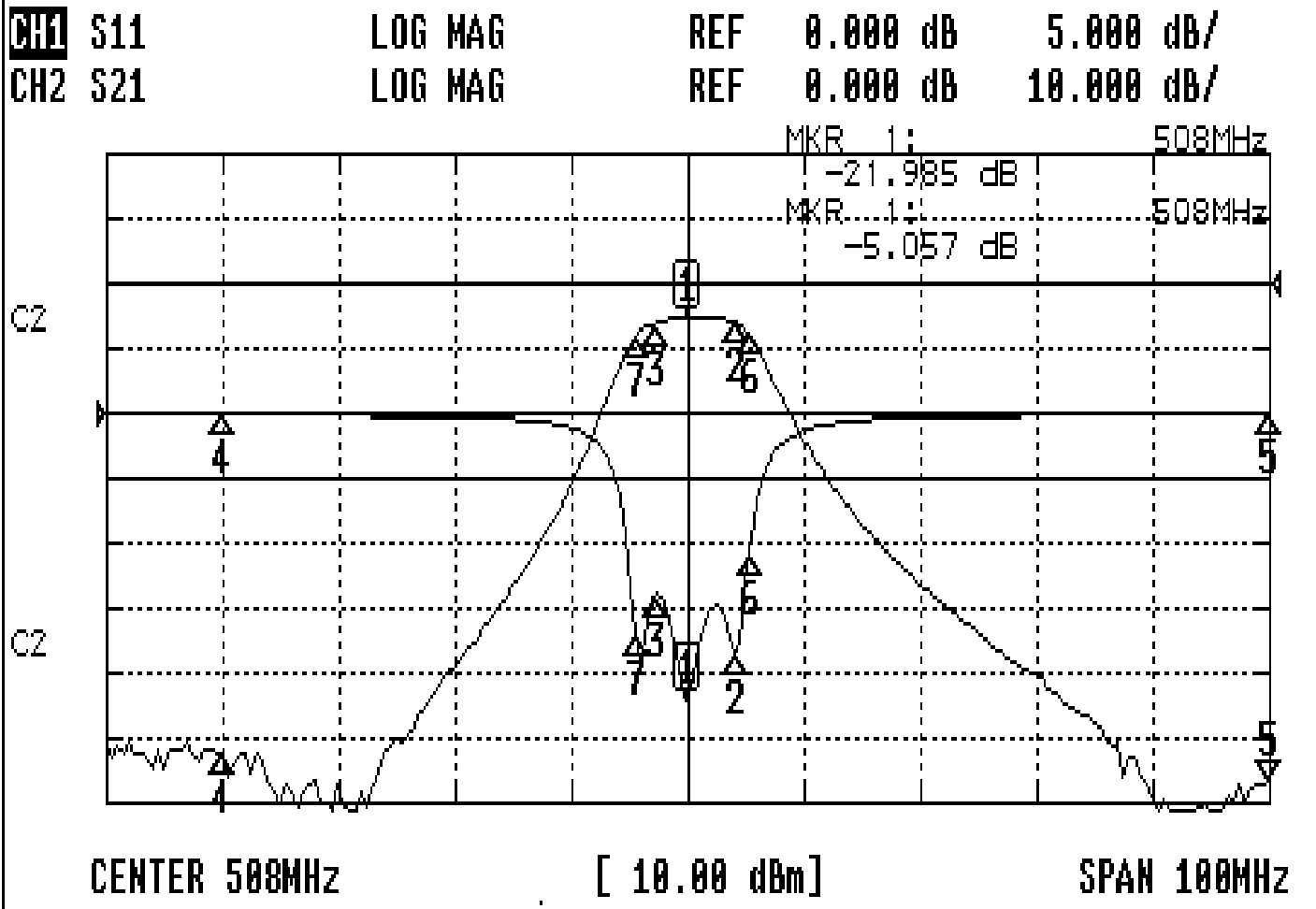


Approval C.Y.Chang	Supervisor C.K.Chang	Designer J.F.Lin	Aperture size 7H4S(4*4.5)(4.56) 7H046LB4.3 聚 3
-----------------------	-------------------------	---------------------	--

TEMWELL CORPORATION

Performance-TF69457A-508M

200903047CD



CH1 MARKER LIST

1:	508.000MHz	-21.984 dB
2:	512.083MHz	-18.290 dB
3:	505.250MHz	-14.022 dB
4:	468.000MHz	-0.093 dB
5:	558.000MHz	-0.067 dB
6:	513.333MHz	-10.824 dB
7:	503.583MHz	-17.312 dB
8:		
9:		
10:		

CH2 MARKER LIST

1:	508.000MHz	-5.054 dB
2:	512.083MHz	-6.046 dB
3:	505.250MHz	-6.083 dB
4:	468.000MHz	-74.031 dB
5:	558.000MHz	-76.429 dB
6:	513.333MHz	-8.062 dB
7:	503.583MHz	-8.150 dB
8:		
9:		
10:		