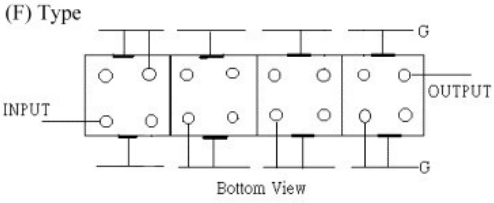
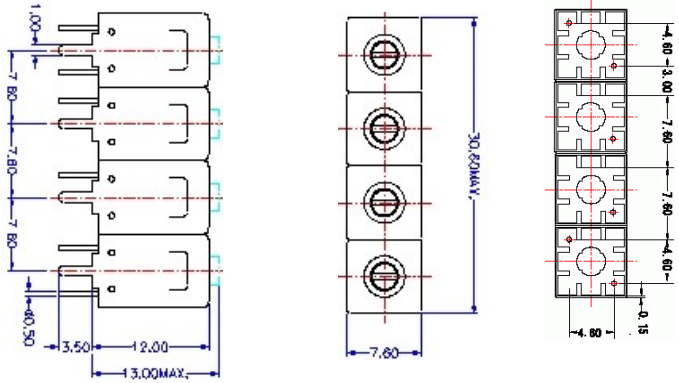


VHF UHF Helical Filter Specification Sheet

Customer Name		Temwell's Part No.	TF69451F-881.5M
Approval No. /dated	0905040CD	Temwell's Print name	69451F 881.5M
Work Instruction No.	200905040CD	Date	May.19.2009

(1) Pin Position	(2) Size Diagram
 <p>(F) Type Bottom View</p>	

(3) Electric Characteristic

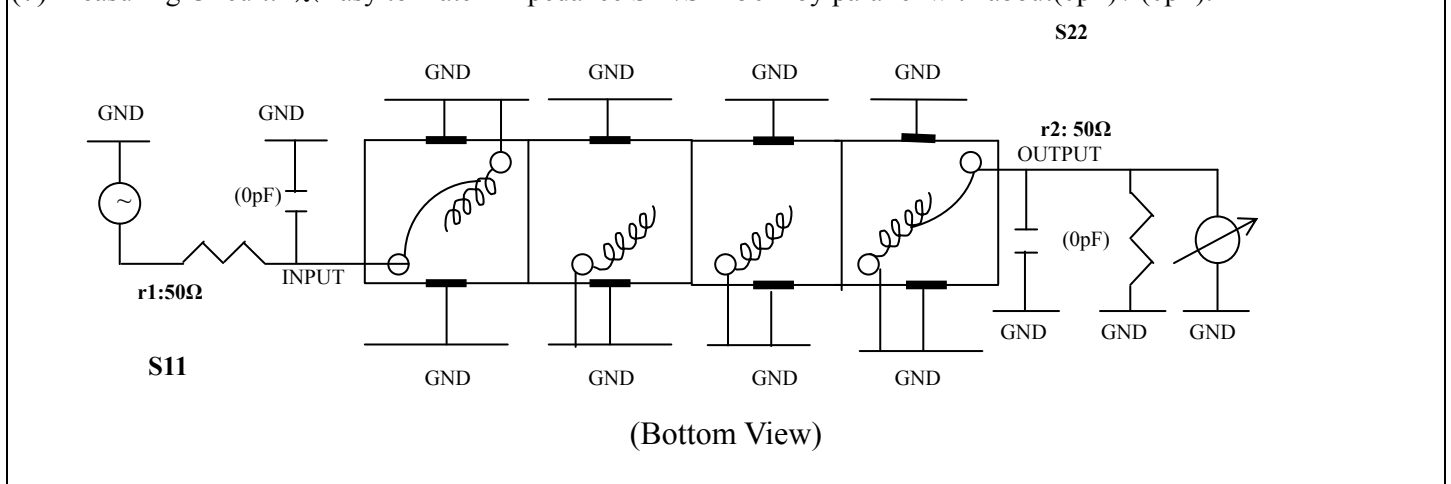
Item	Specify	Performance	
Center Freq.(Fo) +/- 0.5 %	881.5 MHz	881.5 MHz	
Insertion Loss	Typ. 3.5 dB	2.82 dB	
-3 dB Bandwidth	Typ. 25 MHz	29.0 MHz	
Sensitivity (Attenuation)	Fo - 50 MHz	Typ. 50 dBc	53 dBc
	Fo + 50 MHz	Typ. 35 dBc	38 dBc
	Fo - () MHz	Typ. dBc	dBc
	Fo +() MHz	Typ. dBc	dBc
Return Loss	Min. 12 dB	19.8 dB	
Ripple	< 1 dB	dB	
Impedance	In / Out : 50 Ω	In / Out : 50 Ω	
(4) Torque for Tuning Screw	> 60gf · cm		

(5) Temperature Condition:

Operating Temperature	0°C ~ +60°C
Storage Temperature	-20°C ~ +70°C

(6) Input Power

(7) Measuring Circuit: ※Easy to match Impedance S11/S22 50Ω by parallel with about(0pF) / (0pF).



Approval	Supervisor	Designer	Aperture size
C.Y.Chang	C.K.Chang	C.S.Chang	7H4(4*6.5F)(6.52) 7H046LB4.3 聚 3

TEMWELL CORPORATION

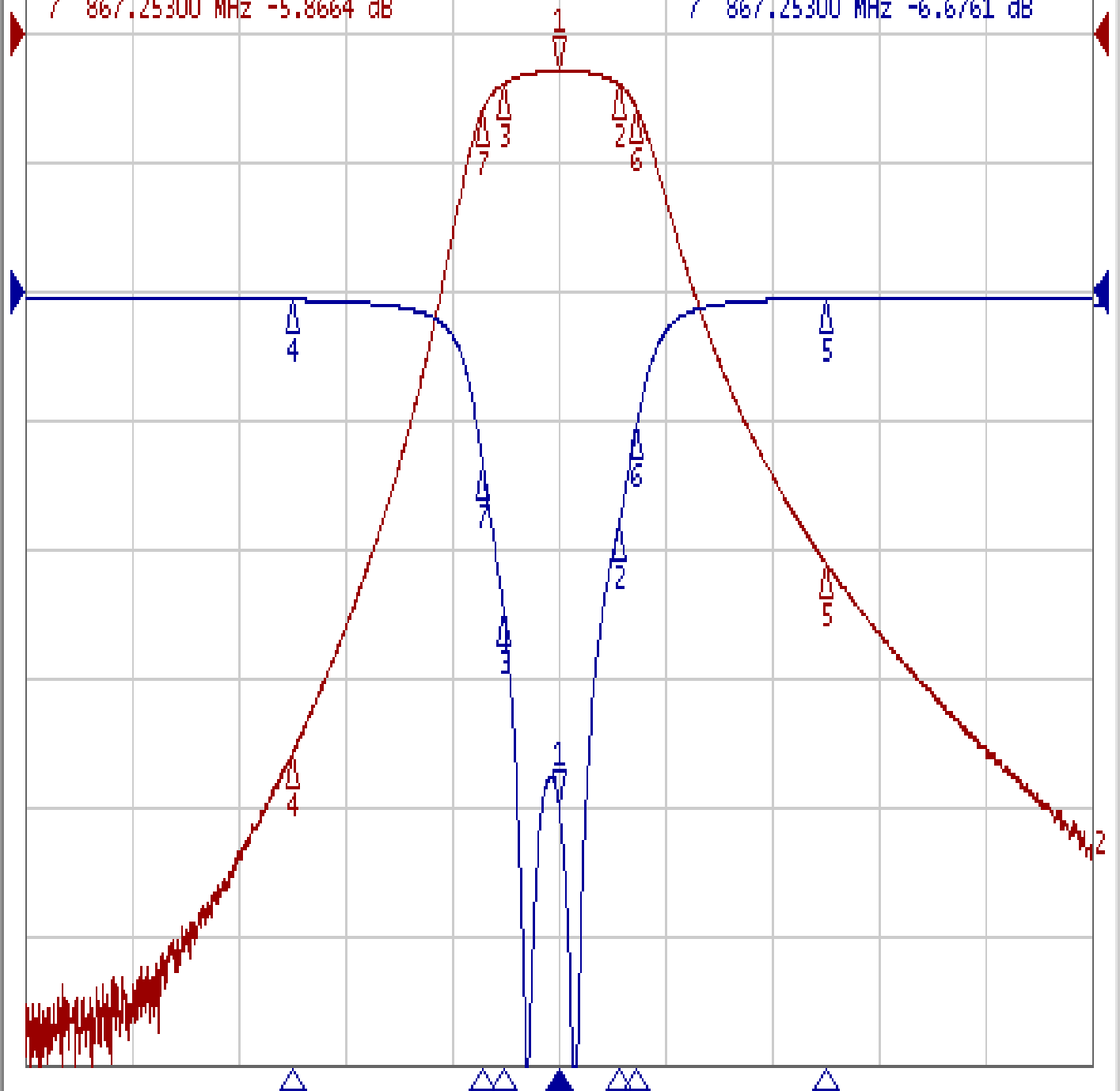
Performance-TF69451F-881.5M

200905040CD

Tr1 S11 Log Mag 5.000dB/ Ref 0.000dB [F3]
Tr2 S21 Log Mag 10.00dB/ Ref 0.000dB [F3]

1	881.50000 MHz	-2.8298 dB
2	892.76950 MHz	-3.8503 dB
3	871.15600 MHz	-3.8550 dB
4	831.50000 MHz	-55.940 dB
5	931.50000 MHz	-40.993 dB
6	896.27100 MHz	-5.8260 dB
7	867.25300 MHz	-5.8664 dB

>1	881.50000 MHz	-19.850 dB
2	892.76950 MHz	-9.0527 dB
3	871.15600 MHz	-12.329 dB
4	831.50000 MHz	-0.3010 dB
5	931.50000 MHz	-0.2545 dB
6	896.27100 MHz	-5.0675 dB
7	867.25300 MHz	-6.6761 dB



1 Center 881.5 MHz

IFBW 10 kHz

Span 200 MHz

C?