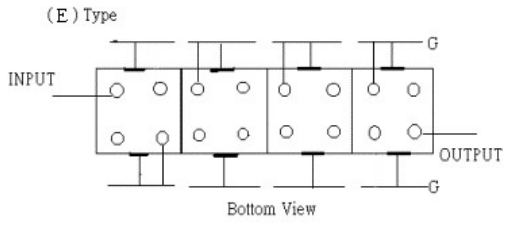
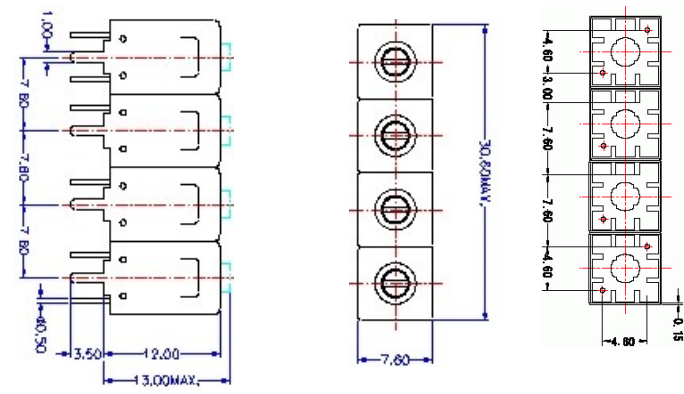


VHF UHF Helical Filter Specification Sheet

Customer Name		Temwell's Part No.	TF69450E-836.5M
Approval No. /dated	0905039CD	Temwell's print Name.	69450E 836.5M
Work Instruction No.	200905039CD	Date	May.20.2009

(1) Pin Position	(2) Size Diagram
 <p>(E) Type INPUT OUTPUT Bottom View</p>	

(3) Electric Characteristic			
Item		Specify	Performance
Center Freq.(Fo) +/- 0.5 %		836.5 MHz	836.5 MHz
Insertion Loss		Typ. 3.5 dB	2.49 dB
-3 dB Bandwidth		Typ. 25 MHz	32.3 MHz
Sensitivity (Attenuation)	Fo - 50 MHz	Typ. 41 dBc	44 dBc
	Fo + 50 MHz	Typ. 44 dBc	47 dBc
	Fo - ()MHz	Typ. dBc	dBc
	Fo +()MHz	Typ. dBc	dBc
Return Loss		Min. 12 dB	16.0 dB
Ripple		< 1 dB	dB
Impedance		In / Out : 50 Ω	In / Out : 50 Ω

(4) Torque for Tuning Screw > 100gf • cm

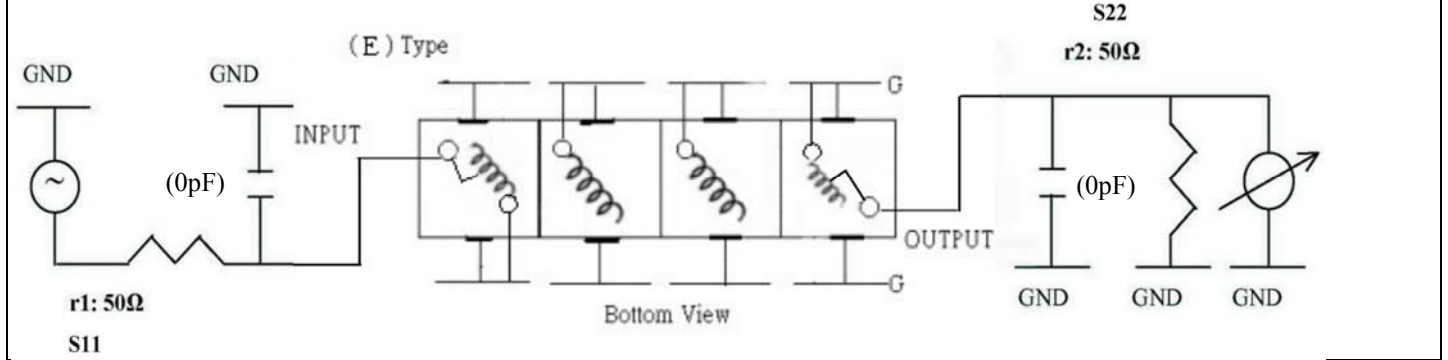
(5) Temperature Condition:

Operating Temperature 0°C ~ +60°C

Storage Temperature -20°C ~ +70°C

(6) Input Power > 1Watt

(7) Measuring Circuit: ※Easy to match Impedance S11/S22 50Ω by parallel with about(0pF) / (0pF)



Approval C.Y.Chang	Supervisor C.K.Chang	Designer C.S.Chang	Aperture size 7H4S(4*5.5)(5.62) 7H046LB4.3 聚 3
-----------------------	-------------------------	-----------------------	--

TEMWELL CORPORATION

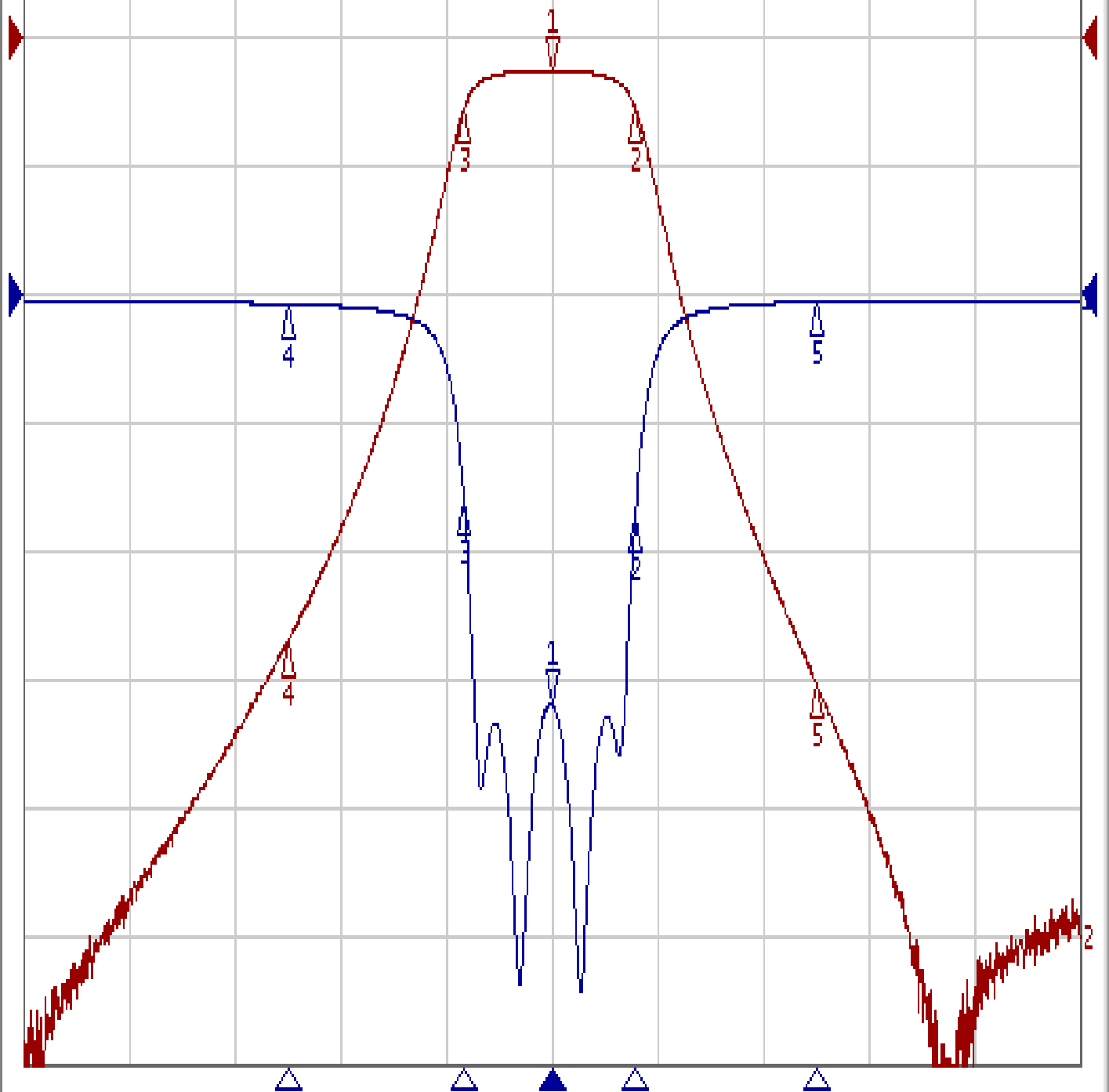
Performance-TF69450E-836.5M

200905039CD

Tr1 S11 Log Mag 5.000dB/ Ref 0.000dB [F3]
Tr2 S21 Log Mag 10.00dB/ Ref 0.000dB [F3]

1	836.50000 MHz	-2.4931 dB
2	852.29800 MHz	-5.4261 dB
3	819.90375 MHz	-5.5023 dB
4	786.50000 MHz	-47.106 dB
5	886.50000 MHz	-50.268 dB

>1	836.50000 MHz	-16.006 dB
2	852.29800 MHz	-8.6705 dB
3	819.90375 MHz	-8.0414 dB
4	786.50000 MHz	-0.3515 dB
5	886.50000 MHz	-0.2667 dB



1 Center 836.5 MHz

IFBW 10 kHz

Span 200 MHz

