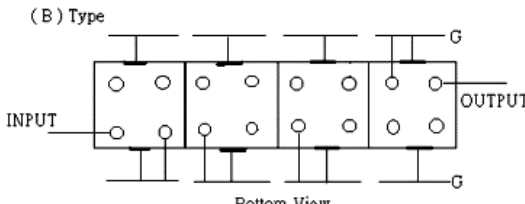
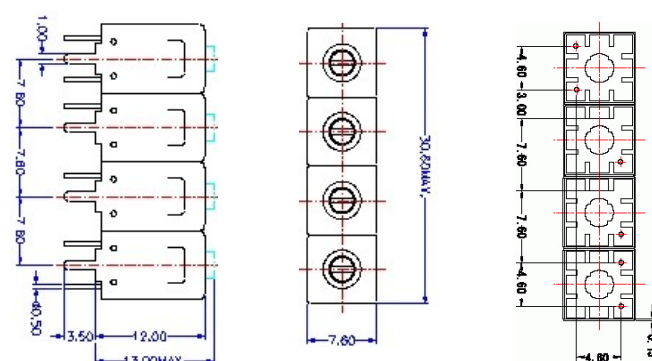


VHF UHF Helical Filter Specification Sheet

Customer Name		Temwell's Part No.	TF69444B-149M
Approval No. /dated	20203042DB	Acceptable Specify Fo. Range	146~165MHz
Work Instruction No.	20203042DB	Date	Mar.13.2002

(1)Pin Position	(2)Size Diagram
 <p>(B) Type</p> <p>INPUT</p> <p>OUTPUT</p> <p>Bottom View</p>	

(3)Electric Character

Item	Specify	Performance	
Center Freq.(Fo) +/- 0.5 %	149 MHz	149 MHz	
Insertion Loss	Typ. 2.5 dB	1.53 dB	
-3 dB Bandwidth	Typ. 33 MHz	35 MHz	
Sensitivity (Attenuation)	Fo - 50 MHz	Typ. 49 dBc	52 dBc
	Fo + 50 MHz	Typ. 31 dBc	34 dBc
	Fo - ()MHz	Typ. dBc	dBc
	Fo + ()MHz	Typ. dBc	dBc
Return Loss	Min. 12 dB	15.0 dB	
Ripple	< 1 dB	dB	
Impedance	In / Out : 50 Ω	In / Out : 50 Ω	
(4)Torque for Tuning Screw	> 100gf • cm		

(5)Temperature Condition:

Operating Temperature	0°C ~ +60°C
Storage Temperature	-20°C ~ +70°C
(6)Input Power	> 1Watt

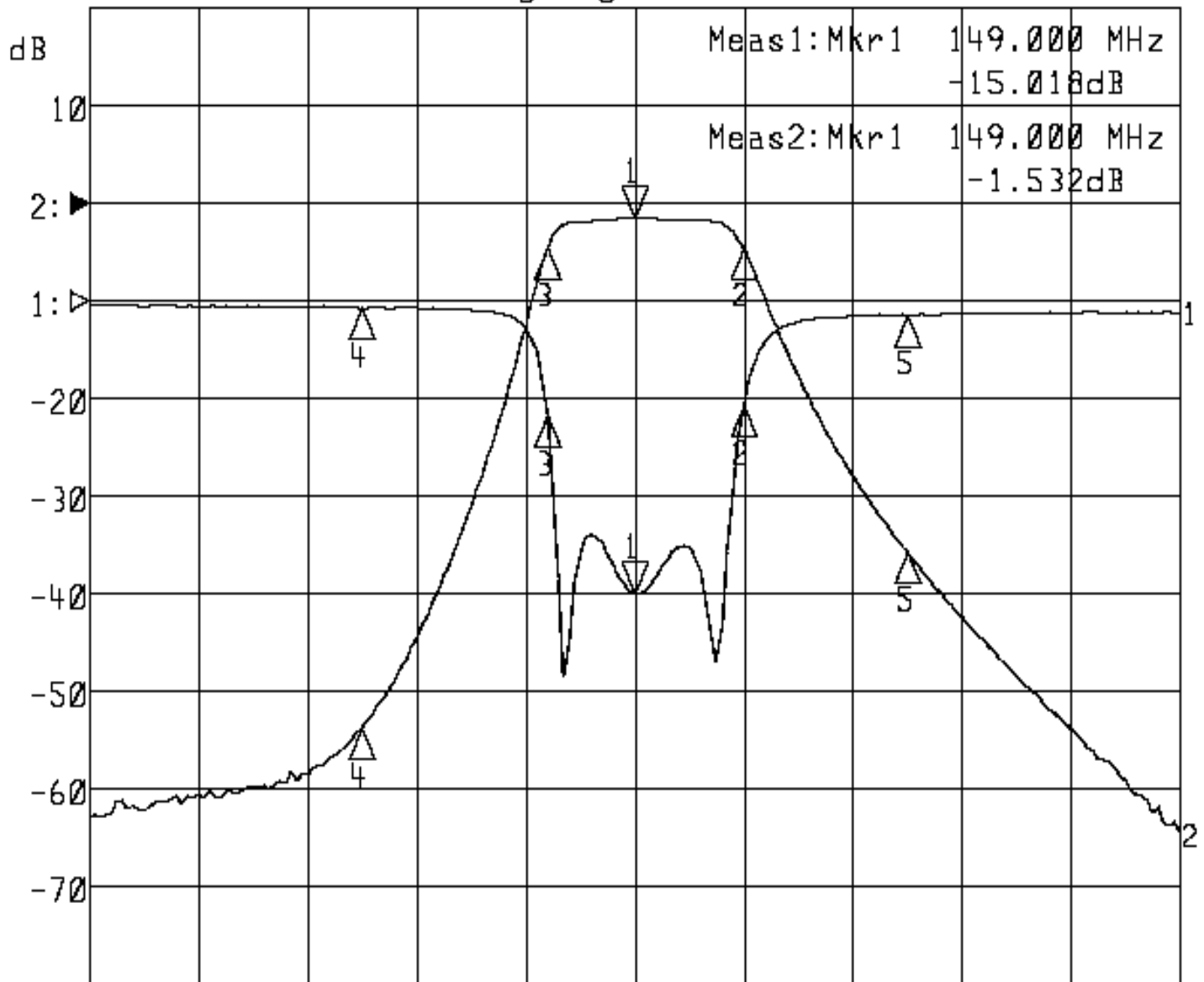
Approval	Supervisor	Designer	Aperture size
C.Y.Chang	C.S.Chang	C.S.Chang	7H4S(4*8.0) 7H00LB6

TEMWELL CORPORATION

Performance-TF69444B-149M

20203042DB

▶1:S11 Refl Port1 Log Mag 5.0 dB/ Ref 0.00 dB C
 ▶2:S21 Fwd Trans Log Mag 10.0 dB/ Ref 0.00 dB C



Meas1:Mkr1	149.000 MHz
	-15.018dB
Meas2:Mkr1	149.000 MHz
	-1.532dB

Center 149.000 MHz

Span 200.000 MHz

1:Mkr (MHz)	dB	2:Mkr (MHz)	dB
1> 149.0000	-15.018	1> 149.0000	-1.532
2: 168.9333	-5.335	2: 168.9333	-4.543
3: 133.0000	-5.823	3: 133.0000	-4.474
4: 99.0000	-0.398	4: 99.0000	-53.724
5: 199.0000	-0.718	5: 199.0000	-35.754