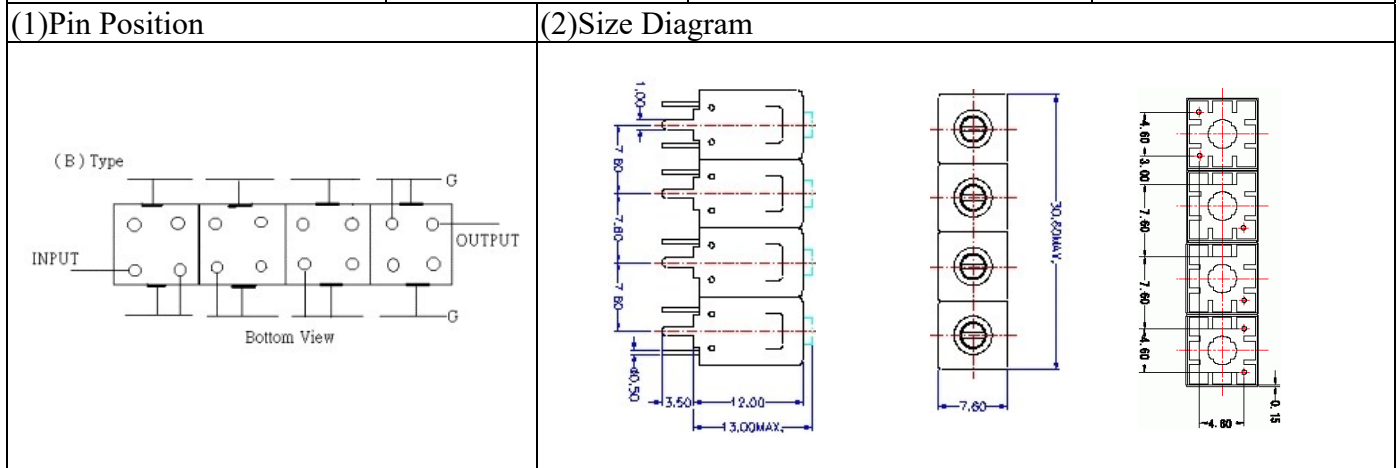
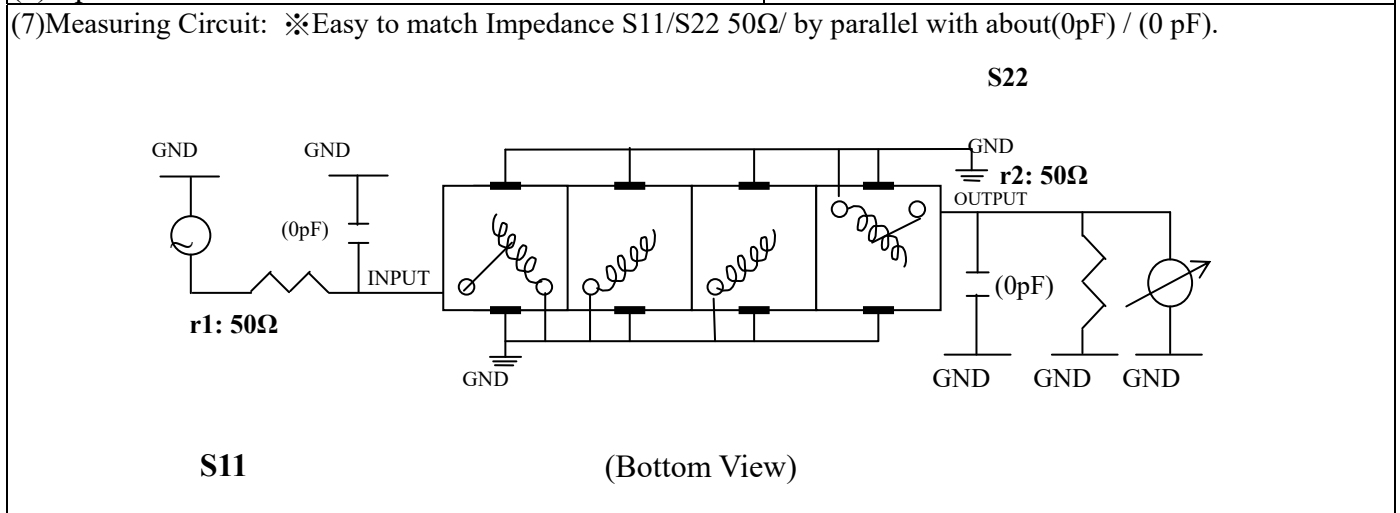


VHF UHF Helical Filter Specification Sheet

Customer Name		Temwell's Part No.	TF69427B1-98M
Approval No. /dated	0901074CD	Temwell's Print Name	69427B1 98M
Work Instruction No.	200901074CD	Date	Feb.26.2009



Item		Specify	Performance
Center Freq.(Fo) +/- 0.5 %		98 MHz	98 MHz
Insertion Loss		Typ. 3.0 dB	1.80 dB
-3 dB Bandwidth		Typ. 14 MHz	15.6 MHz
Sensitivity (Attenuation)	Fo - 20 MHz	Typ. 41 dBc	44 dBc
	Fo + 20 MHz	Typ. 30 dBc	33 dBc
	Fo - ()MHz	Typ. dBc	dBc
	Fo +()MHz	Typ. dBc	dBc
Return Loss		Min. 12 dB	28.6 dB
Ripple		< 1 dB	dB
Impedance		In / Out : 50 Ω	In / Out : 50 Ω
(4) Torque for Tuning Screw		> 100gf • cm	
(5) Temperature Condition:			
Operating Temperature		0°C ~ +60°C	
Storage Temperature		-20°C ~ +70°C	
(6) Input Power		> 1Watt	



Approval	Supervisor	Designer	Aperture size
C.Y.Chang	C.S.Chang	C.S.Chang	7H4(4*6.5F)(6.53) (7H024LB6.5)
TEMWELL CORPORATION			

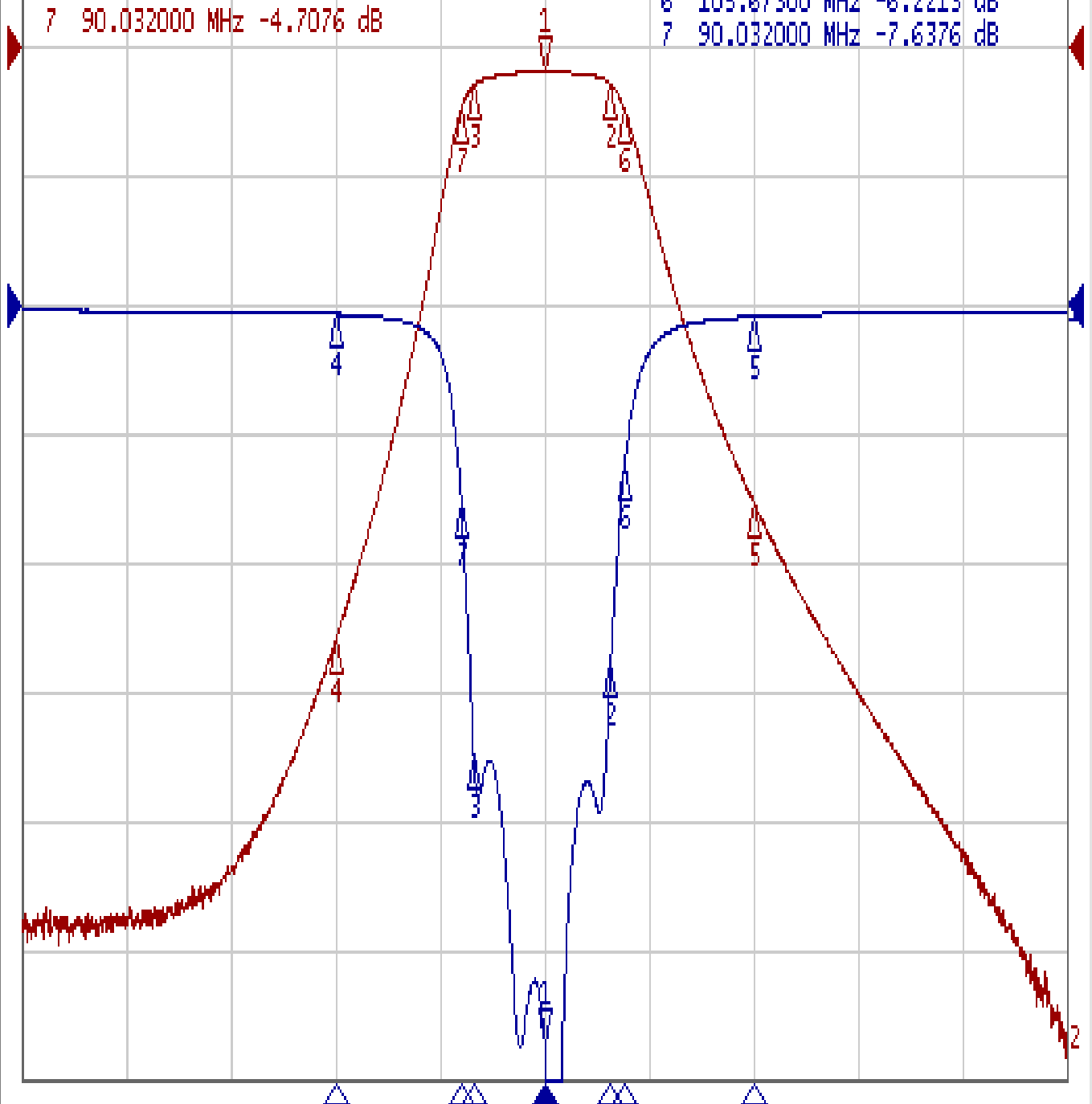
Performance-TF69427B1-98M

200901074CD

Tr1 S11 Log Mag 5.000dB/ Ref 0.000dB [F3]
Tr2 S21 Log Mag 10.000dB/ Ref 0.000dB [F3]

1	98.000000 MHz	-1.8054 dB
2	104.37275 MHz	-2.8071 dB
3	91.227000 MHz	-2.8478 dB
4	78.000000 MHz	-45.927 dB
5	118.00000 MHz	-35.214 dB
6	105.67300 MHz	-4.7854 dB
7	90.032000 MHz	-4.7076 dB

>1	98.000000 MHz	-28.627 dB
2	104.37275 MHz	-13.781 dB
3	91.227000 MHz	-17.439 dB
4	78.000000 MHz	-0.3078 dB
5	118.00000 MHz	-0.4097 dB
6	105.67300 MHz	-6.2213 dB
7	90.032000 MHz	-7.6376 dB



1 Center 98 MHz

IFBW 10 kHz

Span 100 MHz

