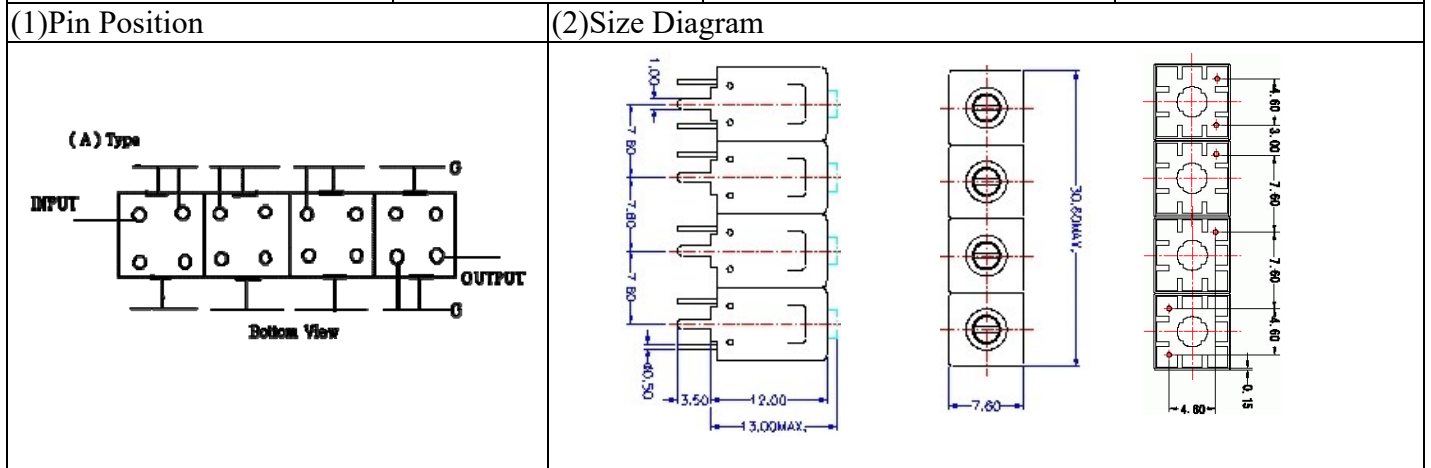


# VHF UHF Helical Filter Specification Sheet

Customer Name		Temwell's Part No.	TF69425A-70M
Approval No. /dated	201701036CD	Temwell's Print Name	69425A 70M
Work Instruction No.	201701036CD	Date	Jan.23.2017



(3) Electric Characteristic

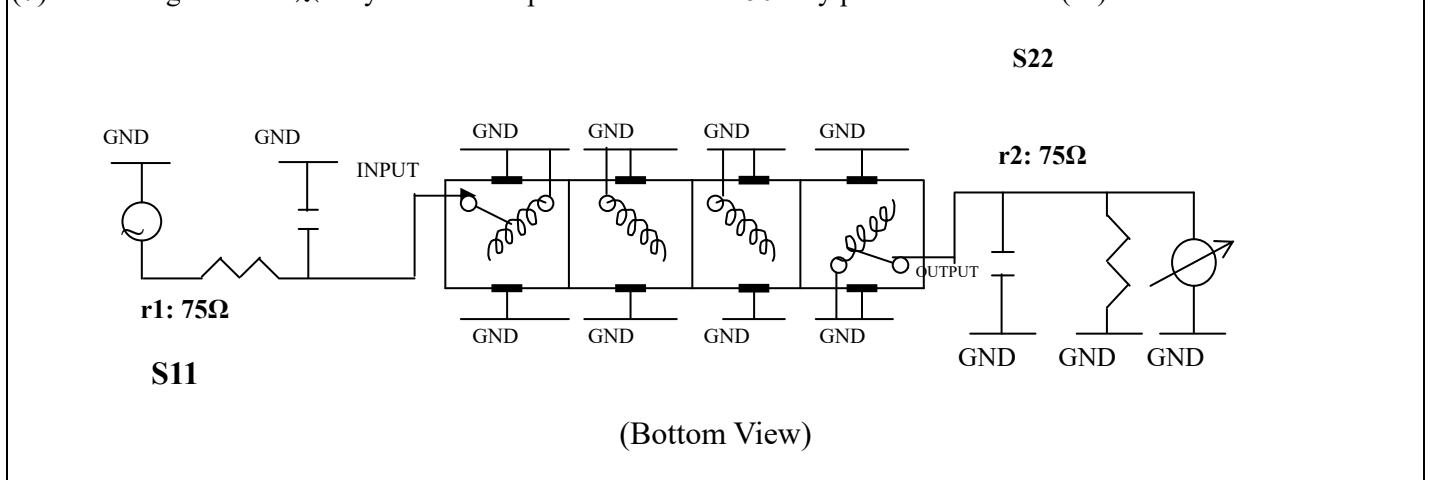
Item	Specify	Performance	
Center Freq.(Fo) +/- 0.5 %	70 MHz	70 MHz	
Insertion Loss	Typ. 2.0 dB	1.63 dB	
-3 dB Bandwidth	Typ. 14 MHz	15.7 MHz	
Sensitivity (Attenuation)	Fo - 50 MHz	Typ. 57 dBc	67 dBc
	Fo + 50 MHz	Typ. 60 dBc	72 dBc
	Fo - ( )MHz	Typ. dBc	dBc
	Fo + ( )MHz	Typ. dBc	dBc
Return Loss	Min. 12 dB	22.2 dB	
Ripple	< 1 dB	dB	
Impedance	In / Out : 50 Ω	In / Out : 50 Ω	
(4) Torque for Tuning Screw	> 60gf • cm		

(5) Temperature Condition:

Operating Temperature	0°C ~ +60°C
Storage Temperature	-20°C ~ +70°C

(6) Input Power

(7) Measuring Circuit: ※Easy to match Impedance S11/S22 /50Ω by parallel with about(- -).

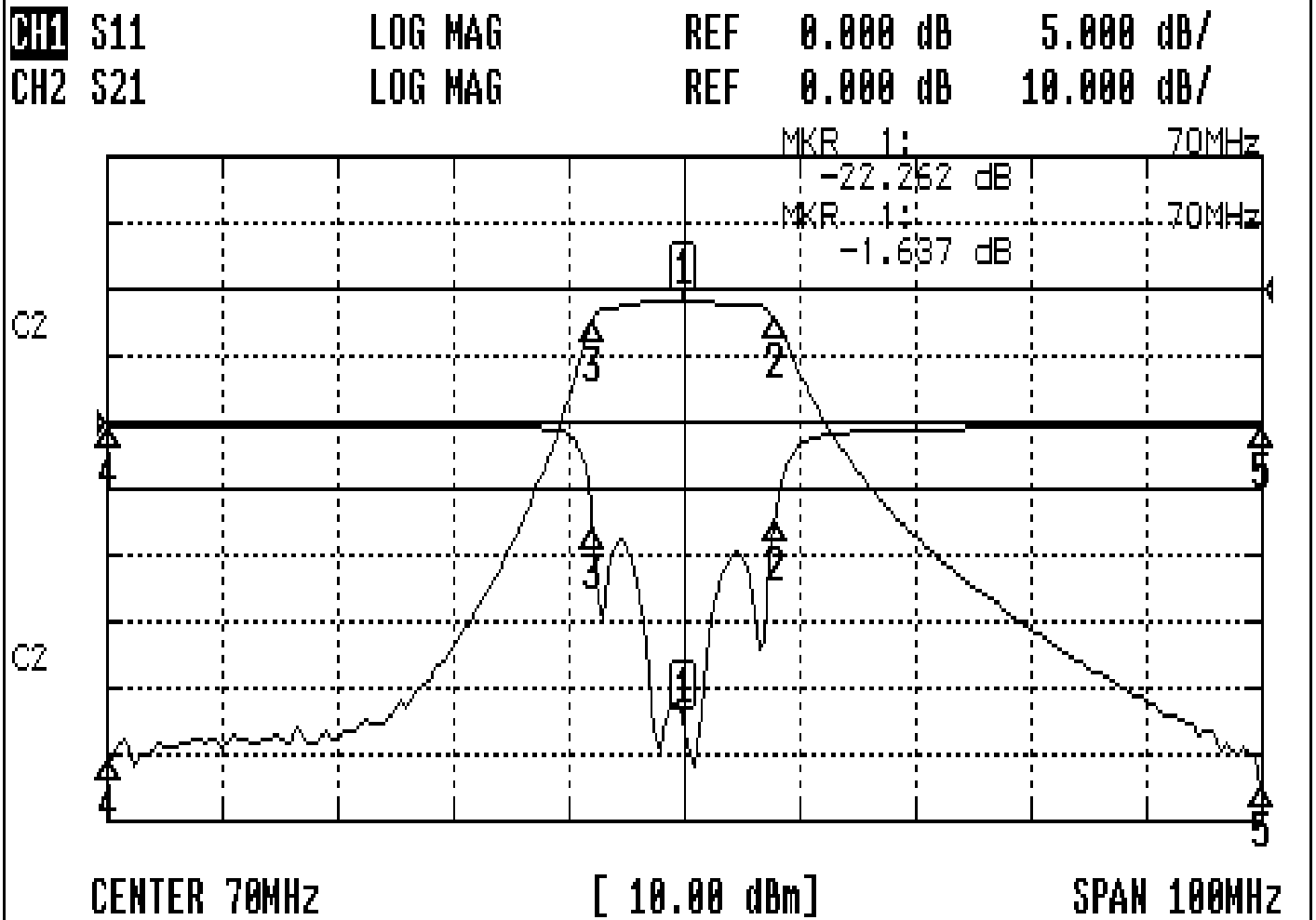


Approval	Supervisor	Designer	Aperture size
C.Y.Chang	C.K.Chang	C.H.Yeh	7H4S(4*8.0)(8.02) 7H00LB6

TEMWELL CORPORATION

# Performance-TF69425A-70M

## 201701036CD



### CH1 MARKER LIST

Marker	Frequency (MHz)	Amplitude (dB)
1:	70.000	-22.261
2:	77.950	-6.996
3:	62.166	-8.132
4:	20.000	-0.158
5:	120.000	-0.288

### CH2 MARKER LIST

Marker	Frequency (MHz)	Amplitude (dB)
1:	70.000	-1.637
2:	77.950	-4.662
3:	62.166	-4.671
4:	20.000	-68.722
5:	120.000	-73.765