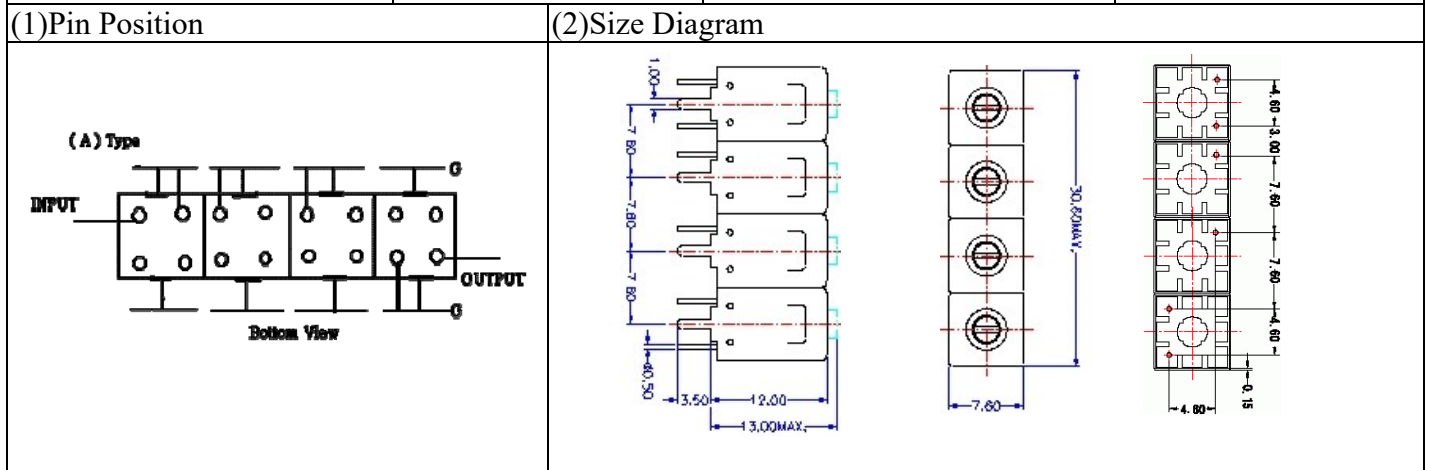


VHF UHF Helical Filter Specification Sheet

Customer Name		Temwell's Part No.	TF69413A-838M
Approval No. /dated	201708074CD	Temwell's Print Name	69413A 838M
Work Instruction No.	201708074CD	Date	Nov.10.2017



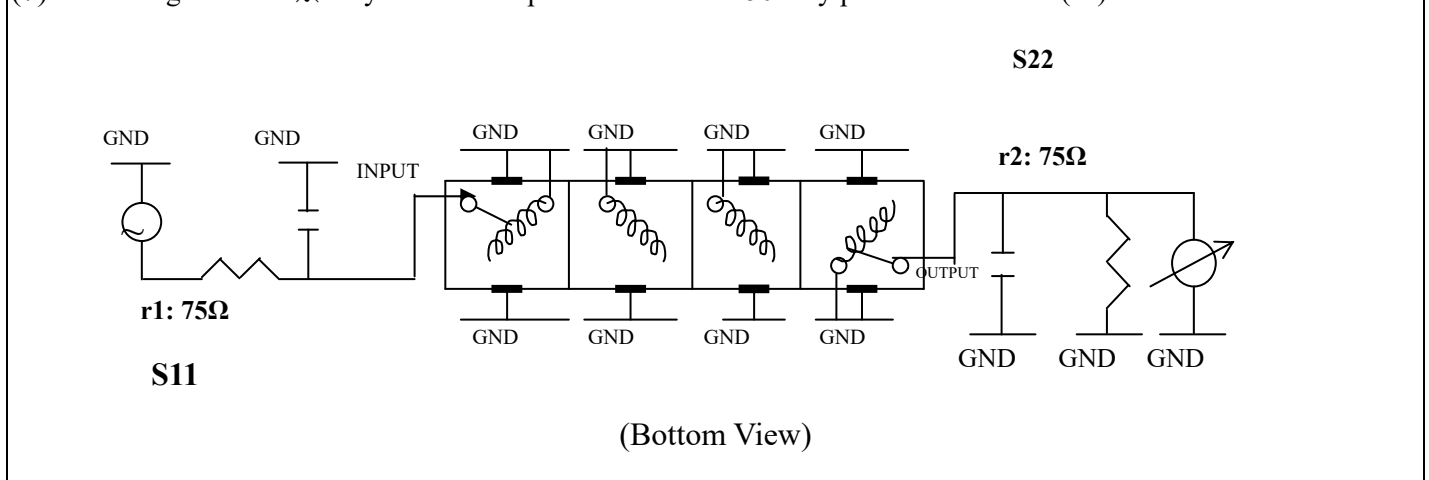
(3) Electric Characteristic

Item	Specify	Performance
Center Freq.(Fo) +/- 0.5 %	838 MHz	838 MHz
Insertion Loss	Typ. 2.5 dB	1.91 dB
-3 dB Bandwidth	Typ. 60 MHz	68.5 MHz
Sensitivity (Attenuation)	Fo - 100 MHz	Typ. 50 dBc
	Fo + 100 MHz	Typ. 30 dBc
	Fo - ()MHz	Typ. dBc
	Fo +()MHz	Typ. dBc
Return Loss	Min. 12 dB	14.6 dB
Ripple	< 1 dB	
Impedance	In / Out : 50 Ω	In / Out : 50 Ω
(4) Torque for Tuning Screw	> 60gf · cm	

(5) Temperature Condition:

Operating Temperature	0°C ~ +60°C
Storage Temperature	-20°C ~ +70°C
(6) Input Power	> 1Watt

(7) Measuring Circuit: ※Easy to match Impedance S11/S22 /50Ω by parallel with about(- -).



Approval	Supervisor	Designer	Aperture size
C.Y.Chang	C.K.Chang	P.H.Chiang	7H4S(4*8.0)(8.02) 7H046LB5

TEMWELL CORPORATION

Performance-TF69413A-838M

201708074CD

Tr1 S11 Log Mag 5.000dB/ Ref 0.000dB [F2]
▶ Tr2 S21 Log Mag 10.00dB/ Ref 0.000dB [F2]

