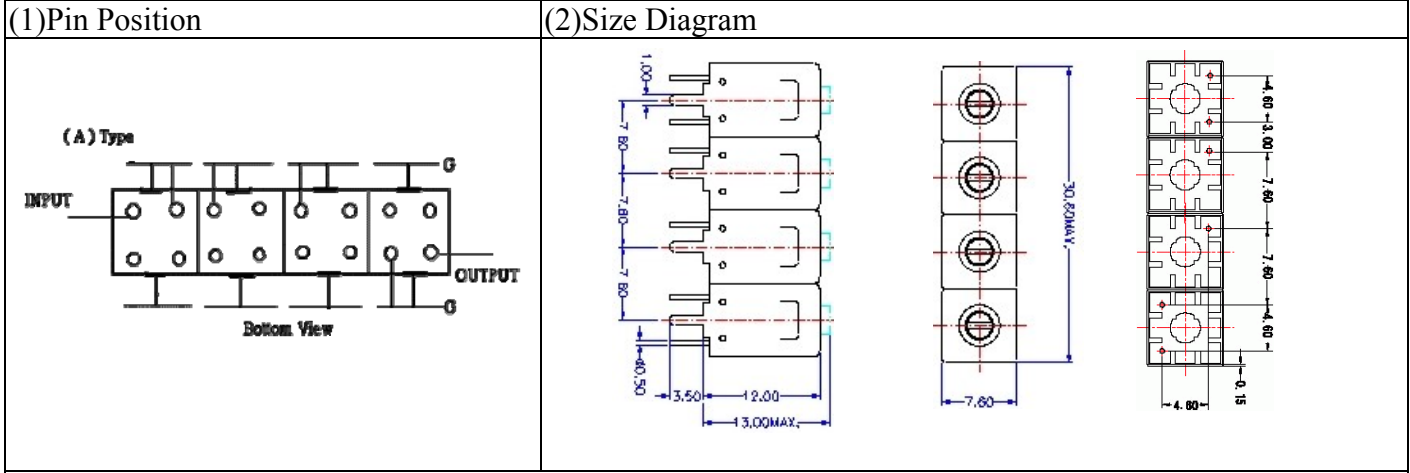


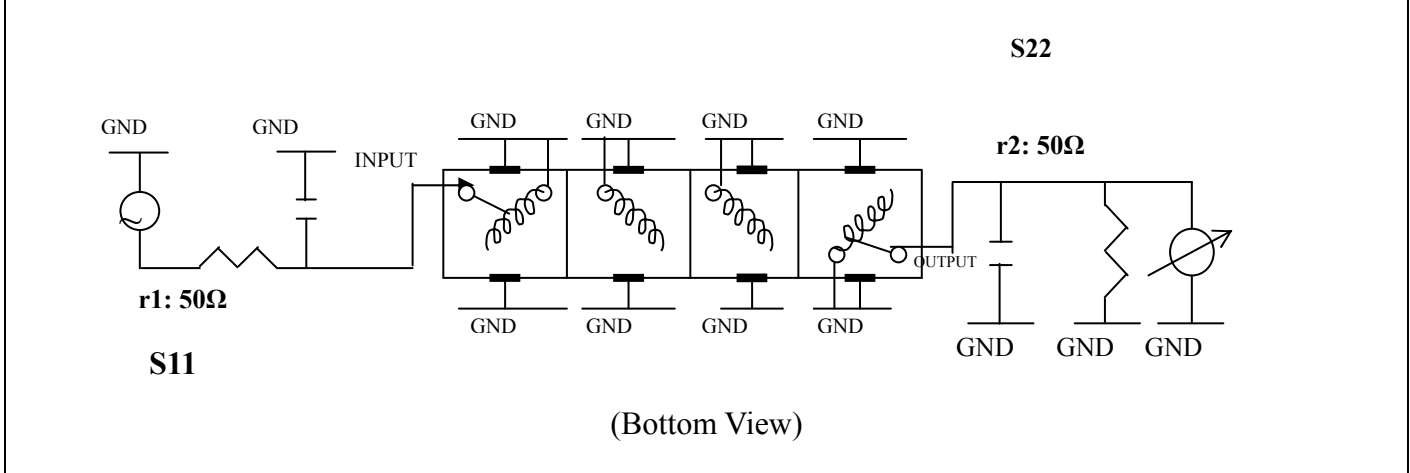
# VHF UHF Helical Filter Specification Sheet

Customer Name		Temwell's Part No.	TF6939A-640M
Approval No. /dated	201707038CD	Temwell's Print Name	6939A 640M
Work Instruction No.	201707038CD	Date	Aug.01.2017



Item		Specify	Performance
Center Freq.(Fo) +/- 0.5 %		640 MHz	640 MHz
Insertion Loss		Typ. 4.5 dB	3.96 dB
-3 dB Bandwidth		Typ. 10 MHz	14.7 MHz
Sensitivity (Attenuation)	Fo - 50 MHz	Typ. 64 dBc	74 dBc
	Fo + 50 MHz	Typ. 55 dBc	60 dBc
	Fo - ( )MHz	Typ. dBc	dBc
	Fo + ( )MHz	Typ. dBc	dBc
Return Loss		Min. 12 dB	19.6 dB
Ripple		< 1 dB	dB
Impedance		In / Out : 50 Ω	In / Out : 50 Ω
(4) Torque for Tuning Screw		> 60gf · cm	
(5) Temperature Condition:			
Operating Temperature		0°C ~ +60°C	
Storage Temperature		-20°C ~ +70°C	
(6) Input Power		> 1Watt	

(7) Measuring Circuit: ※Easy to match Impedance S11/S22 /50Ω by parallel with about(- -).



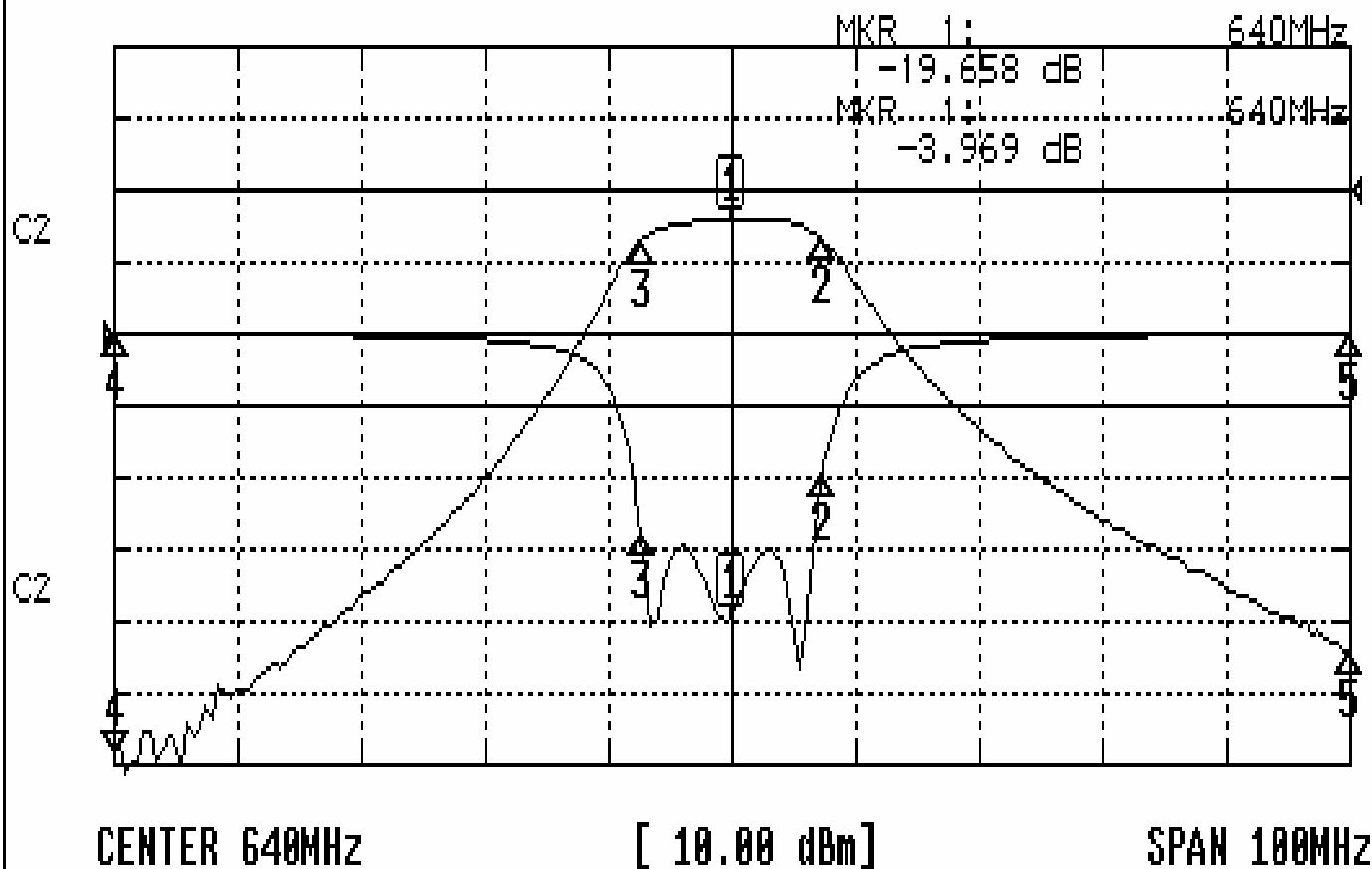
Approval C.Y.Chang	Supervisor C.K.Chang	Designer C.H.Yeh	Aperture size 7H4S(4*4.65)(4.69) 7H046LB4.3 聚 3
-----------------------	-------------------------	---------------------	---

TEMWELL CORPORATION

# Performance-TF6939A-640M

## 201707038CD

CH1 S11 LOG MAG REF 0.000 dB 5.000 dB/  
CH2 S21 LOG MAG REF 0.000 dB 10.000 dB/



### CH1 MARKER LIST

Marker	Frequency (MHz)	Value (dB)
1:	640.000	-19.649
2:	647.416	-19.680
3:	652.666	-19.976
4:	590.000	-0.045
5:	690.000	-0.040

### CH2 MARKER LIST

Marker	Frequency (MHz)	Value (dB)
1:	640.000	-3.969
2:	647.416	-6.940
3:	652.666	-6.937
4:	590.000	-77.981
5:	690.000	-64.202