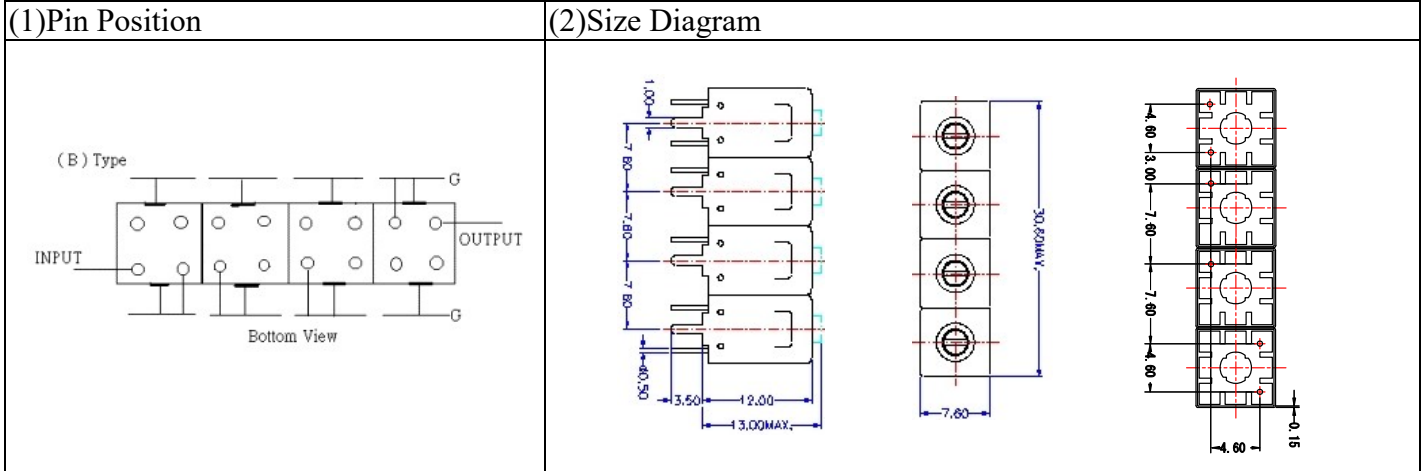
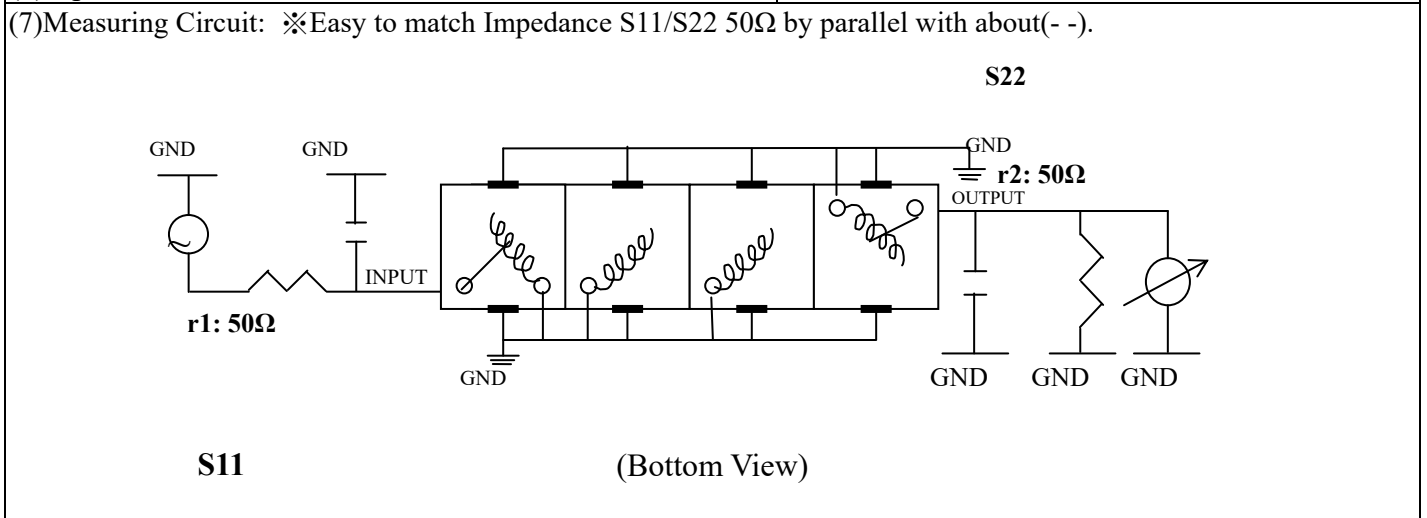


VHF UHF Helical Filter Specification Sheet

Customer Name		Temwell's Part No.	TF69383B-142M
Approval No. /dated	201701075CD	Temwell's Print Name	69383B 142M
Work Instruction No.	201701075CD	Date	Feb.14.2017



(3) Electric Characteristic			
Item	Specify		Performance
Center Freq.(Fo) +/- 0.5 %	142	MHz	142 MHz
Insertion Loss	Typ. 3.0	dB	1.91 dB
-3 dB Bandwidth	Typ. 14	MHz	16.5 MHz
Sensitivity (Attenuation)	Fo - 50 MHz	Typ. 60 dBc	73 dBc
	Fo + 50 MHz	Typ. 64 dBc	68 dBc
	Fo - ()MHz	Typ. dBc	dBc
	Fo + ()MHz	Typ. dBc	dBc
Return Loss	Min. 12	dB	22.8 dB
Ripple	< 1	dB	dB
Impedance	In / Out : 50 Ω		In / Out : 50 Ω
(4) Torque for Tuning Screw			
> 60gf • cm			
(5) Temperature Condition:			
Operating Temperature	0°C ~ +60°C		
Storage Temperature	-20°C ~ +70°C		
(6) Input Power			
> 1 Watt			



Approval	Supervisor	Designer	Aperture size
C.Y.Chang	C.K.Chang	C.S.Chang	7H4S(4*5.5)(5.56) 7H024LB6.5

TEMWELL CORPORATION

Performance-TF69383B-142M

201701075CD

Tr1 S11 Log Mag 5.000dB/ Ref 0.000dB [F2]
Tr2 S21 Log Mag 10.00dB/ Ref 0.000dB [F2]

