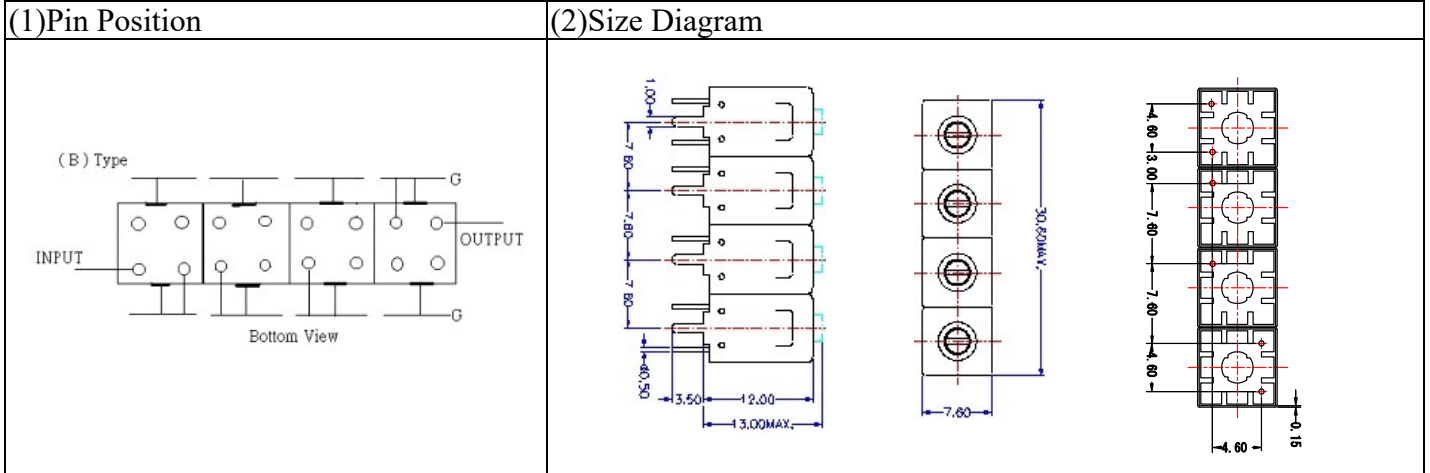


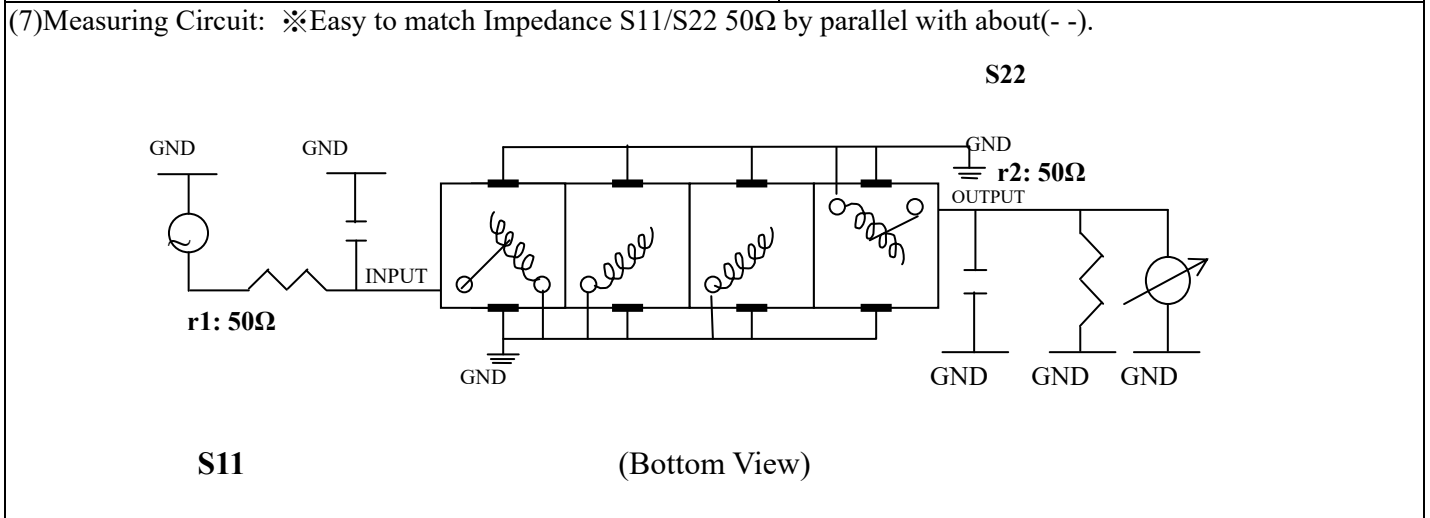
VHF UHF Helical Filter Specification Sheet

Customer Name		Temwell's Part No.	TF69381B-144M
Approval No. /dated	201701076CD	Temwell's Print Name	69381B 144M
Work Instruction No.	201701076CD	Date	Feb.7.2017



Item		Specify	Performance
Center Freq.(Fo) +/- 0.5 %		144 MHz	144 MHz
Insertion Loss		Typ. 2.0 dB	1.53 dB
-3 dB Bandwidth		Typ. 20 MHz	23.5 MHz
Sensitivity (Attenuation)	Fo - 50 MHz	Typ. 60 dBc	70 dBc
	Fo + 50 MHz	Typ. 50 dBc	57 dBc
	Fo - ()MHz	Typ. dBc	dBc
	Fo + ()MHz	Typ. dBc	dBc
Return Loss		Min. 12 dB	22.2 dB
Ripple		< 1 dB	dB
Impedance		In / Out : 50 Ω	In / Out : 50 Ω
(4) Torque for Tuning Screw		> 60gf · cm	

(5) Temperature Condition:	
Operating Temperature	0°C ~ +60°C
Storage Temperature	-20°C ~ +70°C
(6) Input Power	> 1Watt



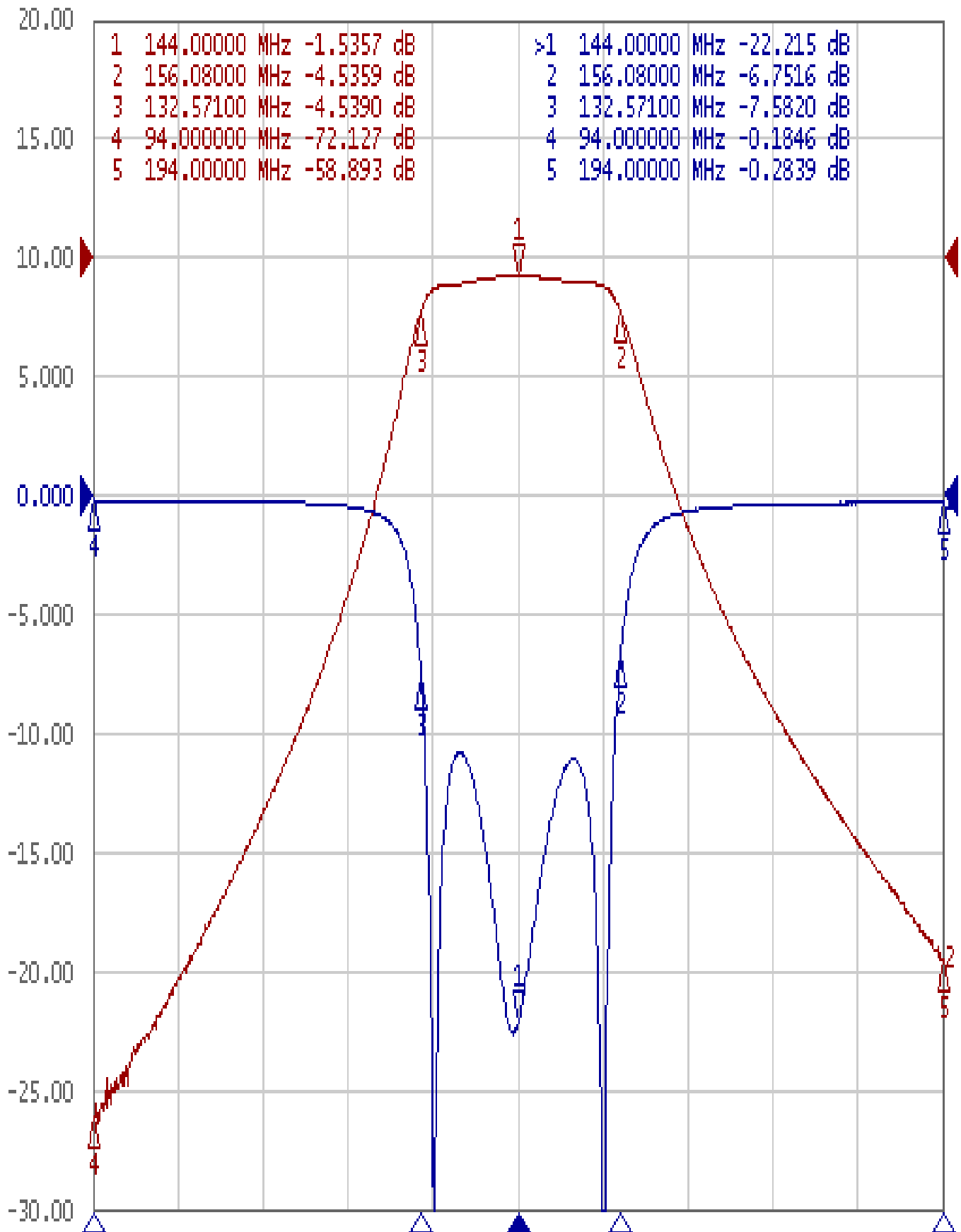
Approval	Supervisor	Designer	Aperture size
C.Y.Chang	C.K.Chang	C.S.Chang	7H4S(4*5.5)(5.56) 7H024LB6.5

TEMWELL CORPORATION

Performance-TF69381B-144M

201701076CD

Tr1 S11 Log Mag 5.000dB/ Ref 0.000dB [F2]
Tr2 S21 Log Mag 10.00dB/ Ref 0.000dB [F2]



1 Center 144 MHz

IFBW 10 kHz

Span 100 MHz Cor !