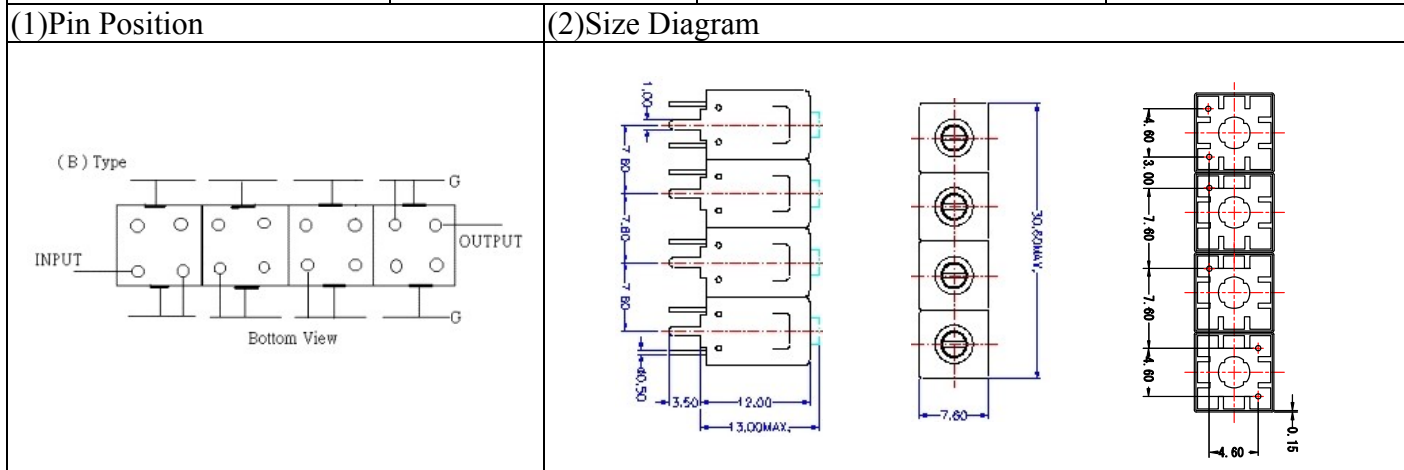


# VHF UHF Helical Filter Specification Sheet

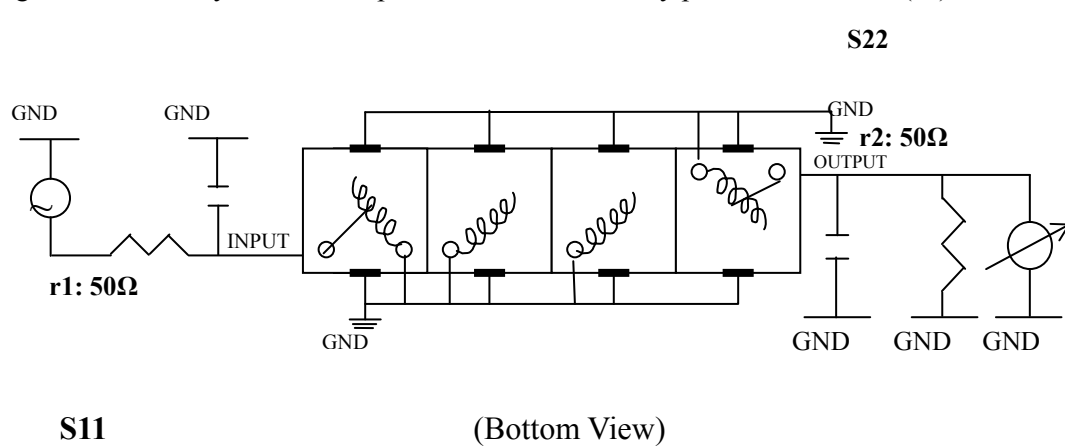
Customer Name		Temwell's Part No.	TF69371B-77M
Approval No. /dated	201701037CD	Temwell's Print Name	69371B 77M
Work Instruction No.	201701037CD	Date	Feb.06.2017



**(3) Electric Characteristic**

Item	Specify	Performance
Center Freq.(Fo) +/- 0.5 %	77 MHz	77 MHz
Insertion Loss	Typ. 2.5 dB	1.71 dB
-3 dB Bandwidth	Typ. 17 MHz	17.8 MHz
Sensitivity (Attenuation)	Fo - 50 MHz	Typ. 53 dBc
	Fo + 50 MHz	Typ. 58 dBc
	Fo - ( )MHz	Typ. dBc
	Fo + ( )MHz	Typ. dBc
Return Loss	Min. 12 dB	27.3 dB
Ripple	< 1 dB	dB
Impedance	In / Out : 50 Ω	In / Out : 50 Ω
(4) Torque for Tuning Screw	> 60gf · cm	
(5) Temperature Condition:		
Operating Temperature	0°C ~ +60°C	
Storage Temperature	-20°C ~ +70°C	
(6) Input Power	> 1Watt	

(7) Measuring Circuit: ※Easy to match Impedance S11/S22 50Ω by parallel with about(- -).



Approval	Supervisor	Designer	Aperture size
C.Y.Chang	C.K.Chang	C.H.Yeh	7H4S(4*8.0)(8.01) 7H00LB6

TEMWELL CORPORATION

# Performance-TF69371B-77M

## 201701037CD

CH1 S11

LOG MAG

REF 0.000 dB

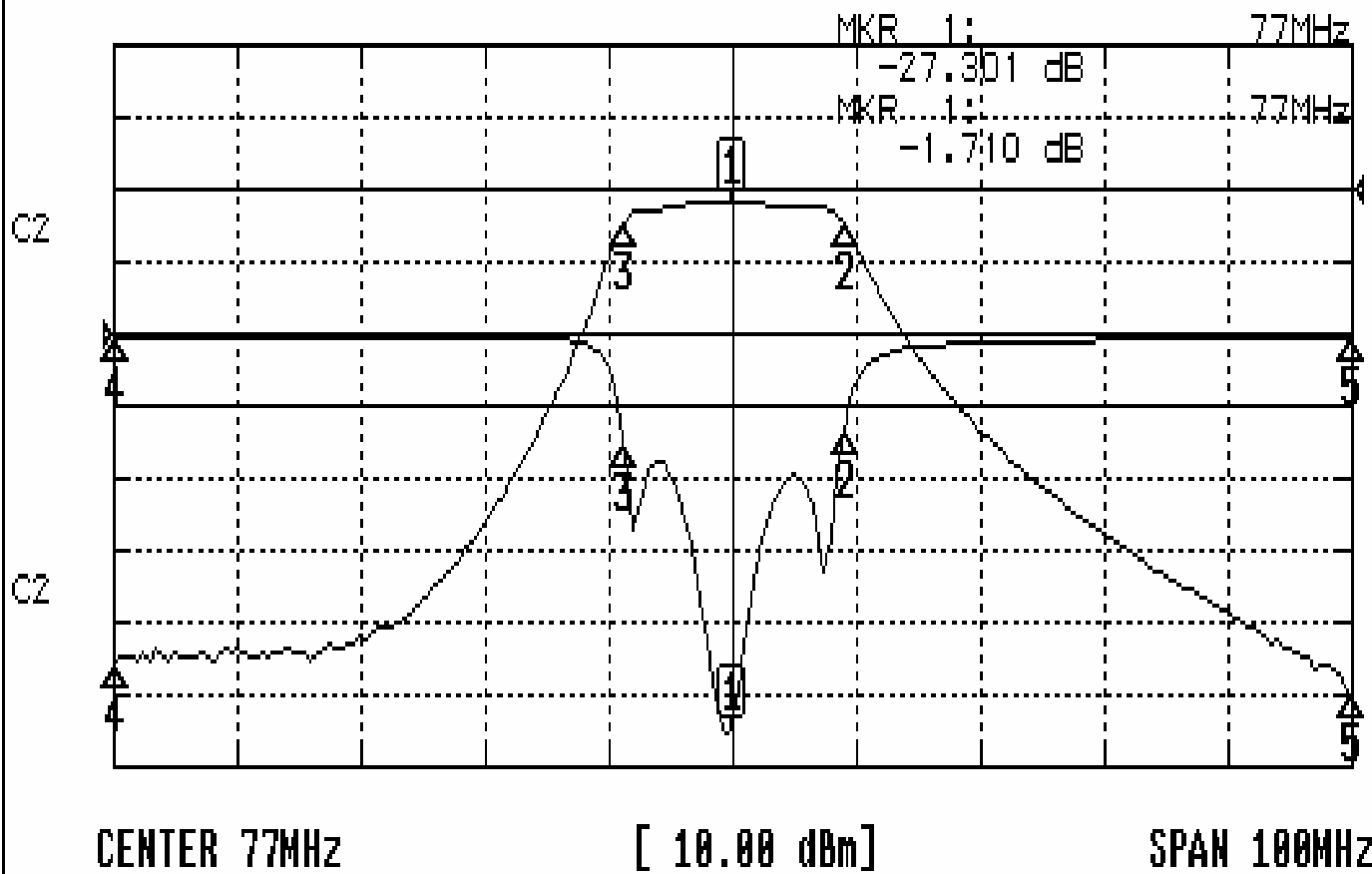
5.000 dB/

CH2 S21

LOG MAG

REF 0.000 dB

10.000 dB/



### CH1 MARKER LIST

1:	77.000MHz	-27.301	dB
2:	86.019MHz	-6.623	dB
3:	68.210MHz	-7.411	dB
4:	27.000MHz	-0.232	dB
5:	127.000MHz	-0.298	dB
6:			
7:			
8:			
9:			
10:			

### CH2 MARKER LIST

1:	77.000MHz	-1.710	dB
2:	86.019MHz	-4.765	dB
3:	68.210MHz	-4.731	dB
4:	27.000MHz	-65.631	dB
5:	127.000MHz	-69.782	dB
6:			
7:			
8:			
9:			
10:			