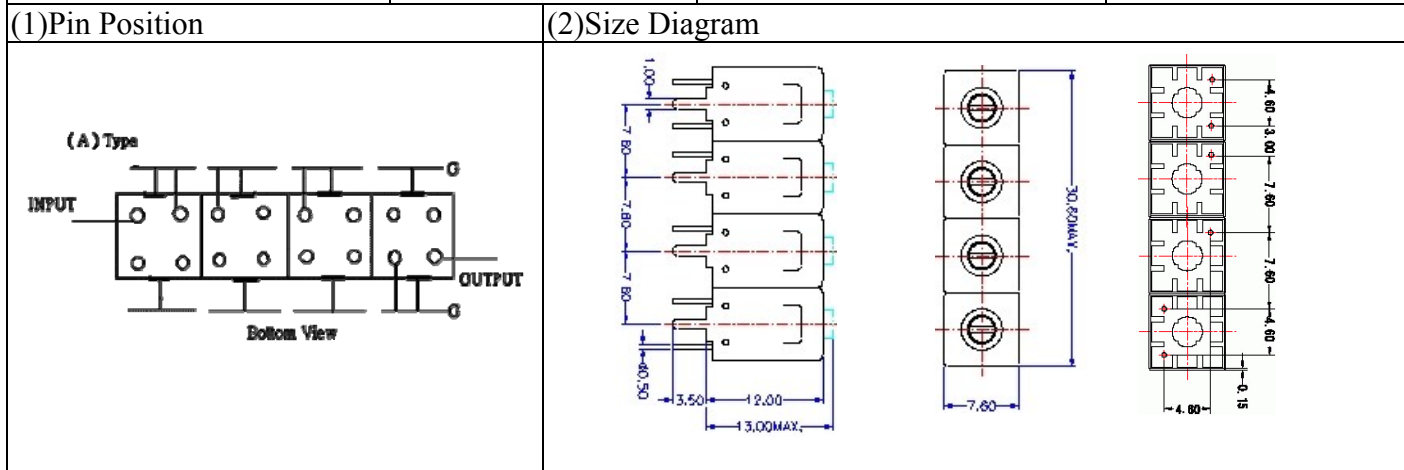


# VHF UHF Helical Filter Specification Sheet

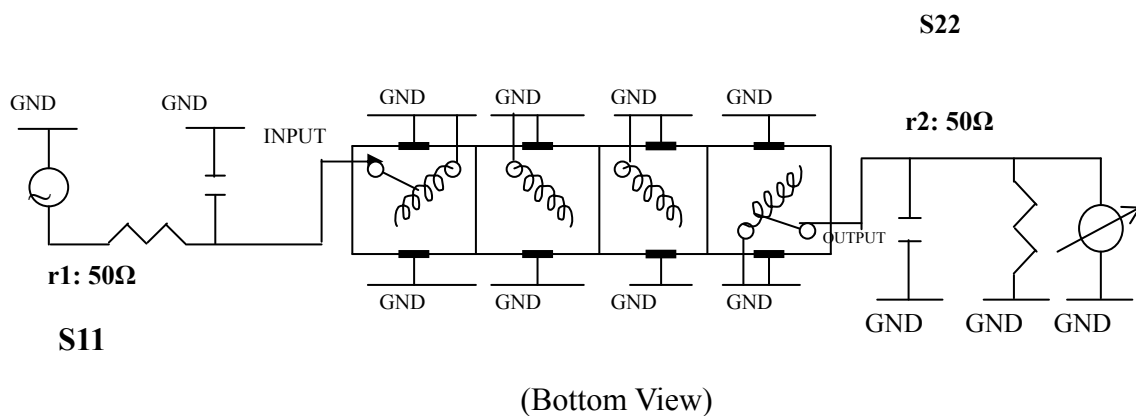
Customer Name		Temwell's Part No.	TF69358A-1160M
Approval No. /dated	201709012CD	Temwell's Print Name	69358A 1160M
Work Instruction No.	201709012CD	Date	Nov.17.2017



### (3) Electric Characteristic

Item	Specify	Performance	
Center Freq.(Fo) +/- 0.5 %	1160 MHz	1160 MHz	
Insertion Loss	Typ. 3.5 dB	2.35 dB	
-3 dB Bandwidth	Typ. 77 MHz	85.0 MHz	
Sensitivity (Attenuation)	Fo - 150 MHz	Typ. 59 dBc	69 dBc
	Fo + 150 MHz	Typ. 35 dBc	40 dBc
	Fo - ( )MHz	Typ. dBc	dBc
	Fo +( )MHz	Typ. dBc	dBc
Return Loss	Min. 12 dB	45.1 dB	
Ripple	< 1 dB	dB	
Impedance	In / Out : 50 Ω	In / Out : 50 Ω	
(4) Torque for Tuning Screw	> 60gf · cm		
(5) Temperature Condition:			
Operating Temperature	0°C ~ +60°C		
Storage Temperature	-20°C ~ +70°C		
(6) Input Power	> 1Watt		

### (7) Measuring Circuit: ※Easy to match Impedance S11/S22 50Ω by parallel with about(- -).



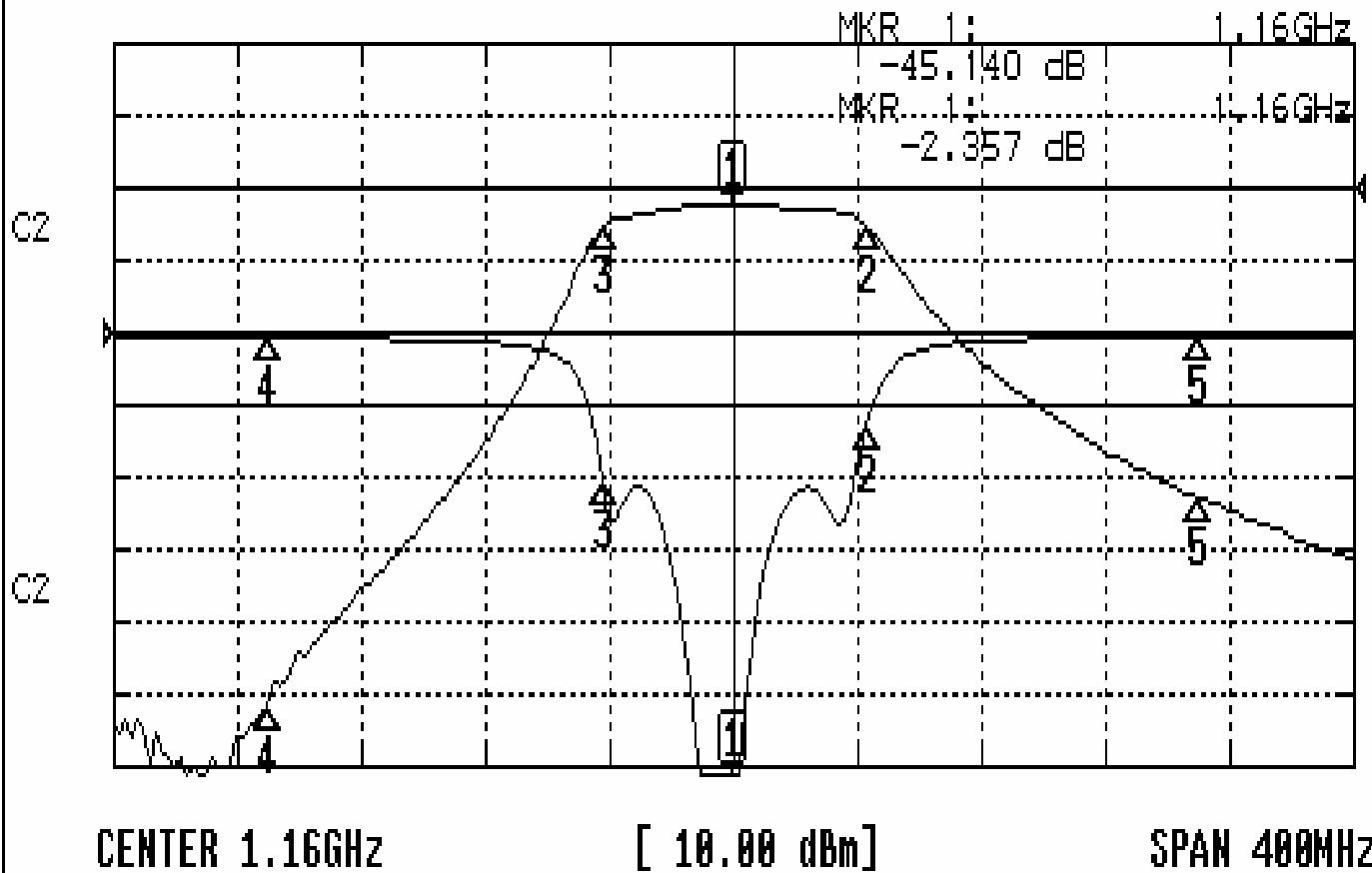
Approval	Supervisor	Designer	Aperture size
C.Y.Chang	C.K.Chang	M.Y.Kang	7H4S(4*6.8)(6.82) 7H046LB5.5

TEMWELL CORPORATION

# Performance-TF69358A-1160M

## 201709012CD

CH1 S11 LOG MAG REF 0.000 dB 5.000 dB/  
CH2 S21 LOG MAG REF 0.000 dB 10.000 dB/



### CH1 MARKER LIST

Marker	Frequency (GHz)	Magnitude (dB)
1	1.160 000	-45.140
2	1.203 000	-6.532
3	1.118 000	-10.215
4	1.010 000	-0.334
5	1.310 000	-0.352

### CH2 MARKER LIST

Marker	Frequency (GHz)	Magnitude (dB)
1	1.160 000	-2.357
2	1.203 000	-15.342
3	1.118 000	-15.310
4	1.010 000	-71.627
5	1.310 000	-42.858