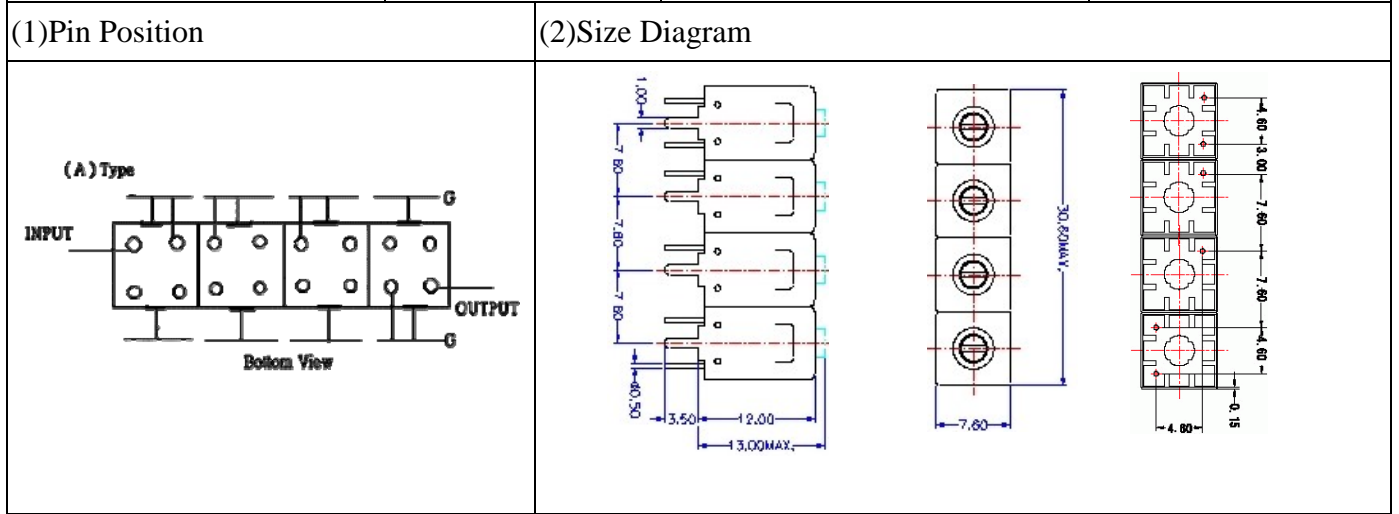


VHF UHF Helical Filter Specification Sheet

Customer Name		Temwell's Part No.	TF69355A-1165M
Approval No. /dated	2008085D	Acceptable Specify Fo. Range	1101~1180MHz
Work Instruction No.	2008085D	Date	Aug.28.2000



(3)Electric Character

Item	Specify	Performance	
Center Freq.(Fo) +/- 0.5 %	1165 MHz	1165 MHz	
Insertion Loss	Typ. 4.5 dB	3.55 dB	
-3 dB Bandwidth	Typ. 45 MHz	53.7 MHz	
Sensitivity (Attenuation)	Fo - 100 MHz	Typ. 51 dBc	54 dBc
	Fo + 100 MHz	Typ. 36 dBc	39 dBc
	Fo - ()MHz	Typ. dBc	dBc
	Fo +()MHz	Typ. dBc	dBc
Return Loss	Min. 12 dB	14.5 dB	
Ripple	< 1 dB	1 dB	
Impedance	In / Out : 50 Ω	In / Out : 50 Ω	

(4)Torque for Tuning Screw > 100gf · cm

(5)Temperature Condition:

Operating Temperature	0°C ~ +60°C
Storage Temperature	-20°C ~ +70°C

(6)Input Power > 1Watt

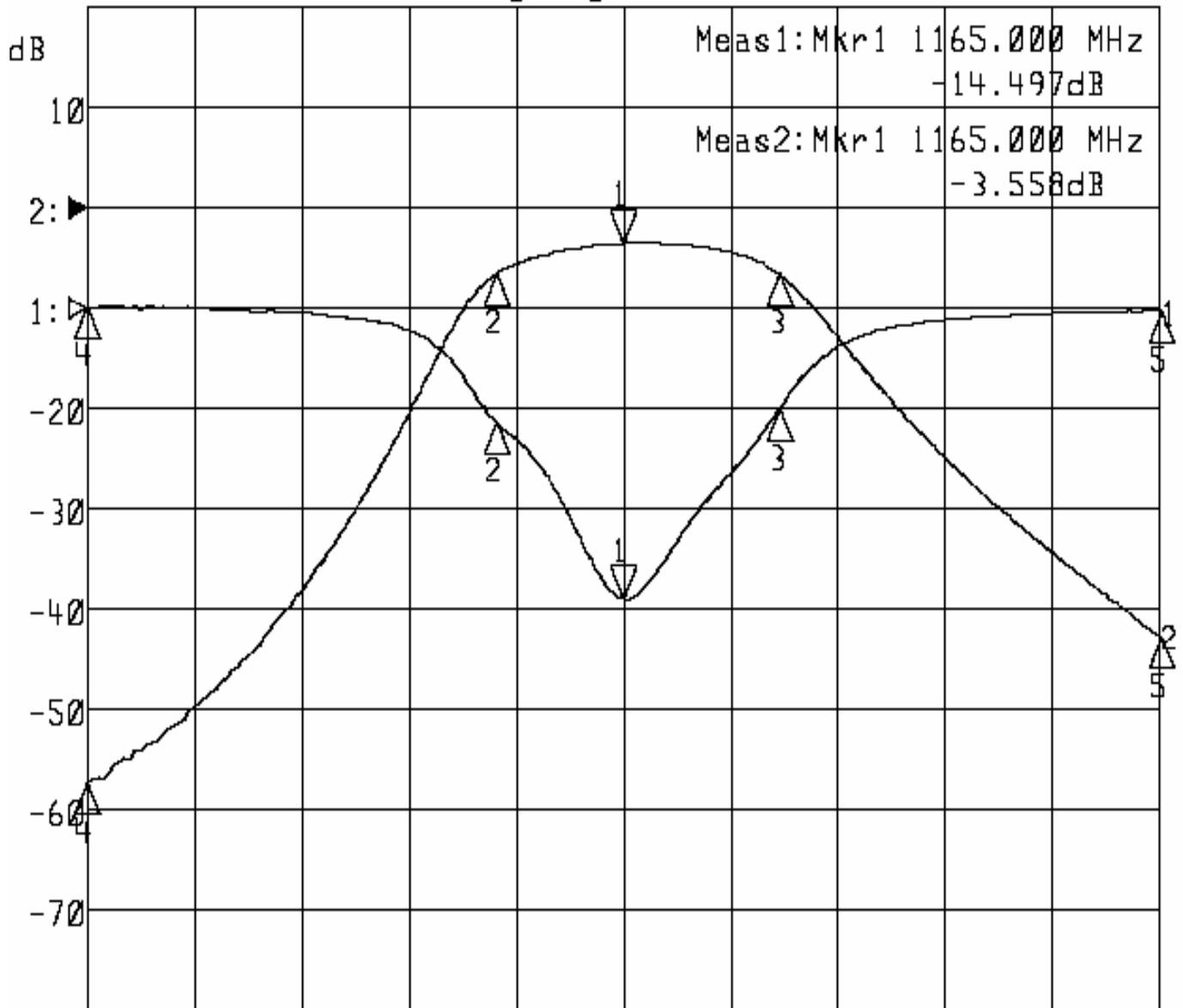
Approval	Supervisor	Designer	Aperture size
C.Y.Chang	C.S.Chang	翁志銘	7H4S(4*6.5) 7H046LB4

TEMWELL CORPORATION

Performance-TF69355A-1165M

2008085D

▷1:S11 Refl Port1 Log Mag 5.0 dB/ Ref 0.00 dB C
▶2:S21 Fwd Trans Log Mag 10.0 dB/ Ref 0.00 dB C



Center 1 165.000 MHz

Span 200.000 MHz

1: Mkr (MHz)	dB	2: Mkr (MHz)	dB
1> 1165.0000	-14.497	1> 1165.0000	-3.558
2: 1141.3333	-5.674	2: 1141.3333	-6.534
3: 1194.0000	-5.030	3: 1194.0000	-6.580
4: 1065.0000	0.096	4: 1065.0000	-57.144
5: 1265.0000	-0.133	5: 1265.0000	-42.726