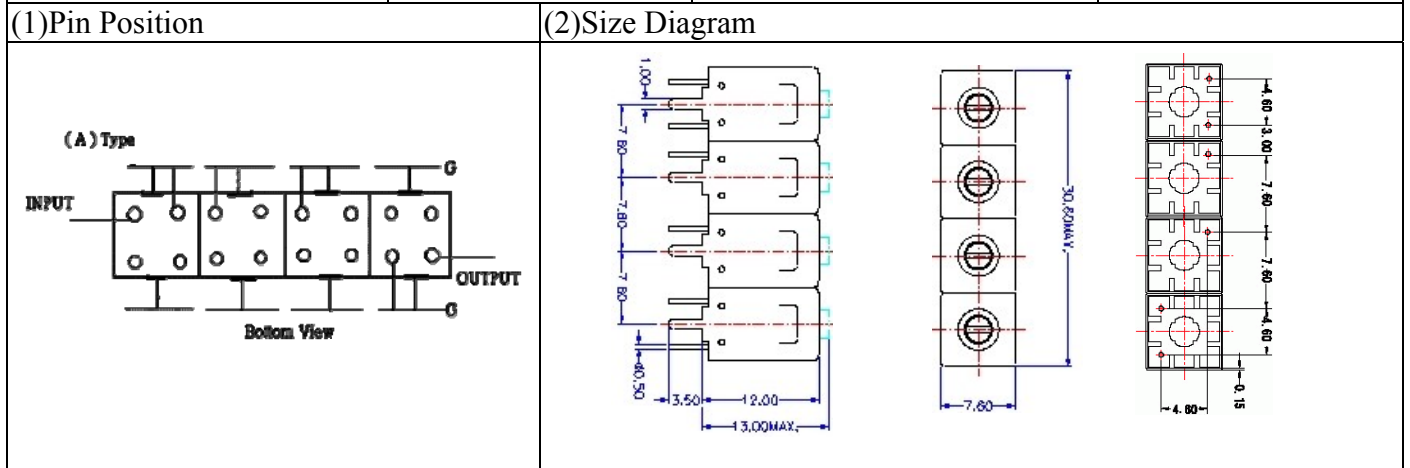
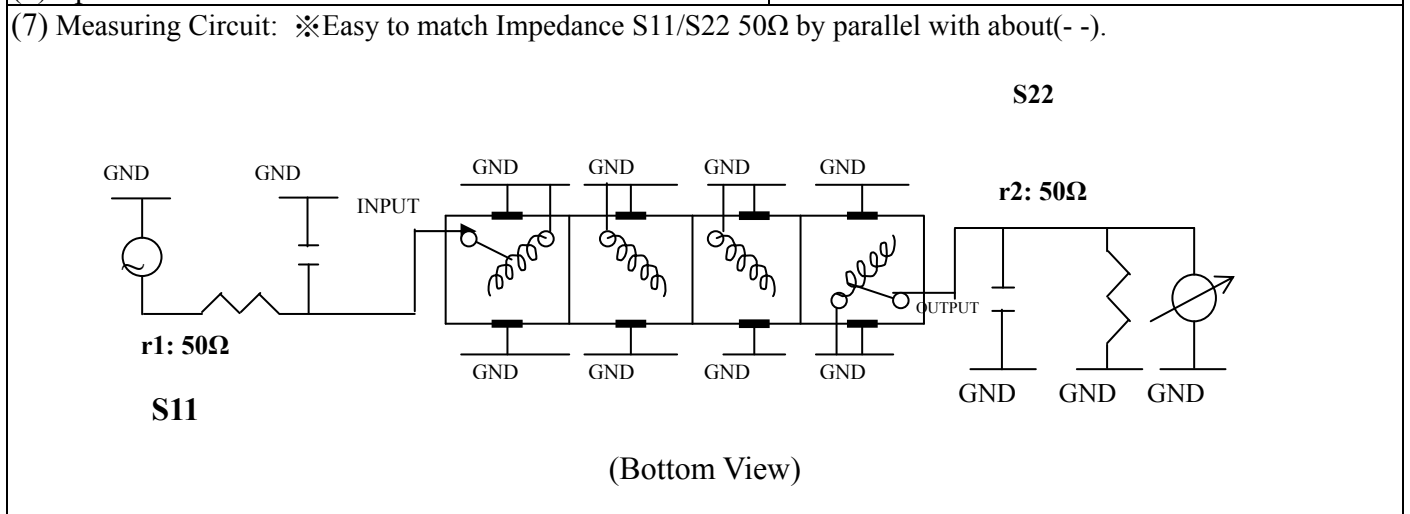


VHF UHF Helical Filter Specification Sheet

Customer Name		Temwell's Part No.	TF69353A-1060M
Approval No. /dated	201708107CD	Temwell's Print Name	69353A 1060M
Work Instruction No.	201708107CD	Date	Nov.10.2017



(3) Electric Characteristic			
Item		Specify	Performance
Center Freq.(Fo) +/- 0.5 %		1060 MHz	1060 MHz
Insertion Loss		Typ. 2.5 dB	1.58 dB
-3 dB Bandwidth		Typ. 79 MHz	92.6 MHz
Sensitivity (Attenuation)	Fo - 150 MHz	Typ. 57 dBc	62 dBc
	Fo + 150 MHz	Typ. 32 dBc	37 dBc
	Fo - ()MHz	Typ. dBc	dBc
	Fo +()MHz	Typ. dBc	dBc
Return Loss		Min. 12 dB	22.0 dB
Ripple		< 1 dB	dB
Impedance		In / Out : 50 Ω	In / Out : 50 Ω
(4) Torque for Tuning Screw		> 60gf · cm	
(5) Temperature Condition:			
Operating Temperature		0°C ~ +60°C	
Storage Temperature		-20°C ~ +70°C	
(6) Input Power		> 1 Watt	

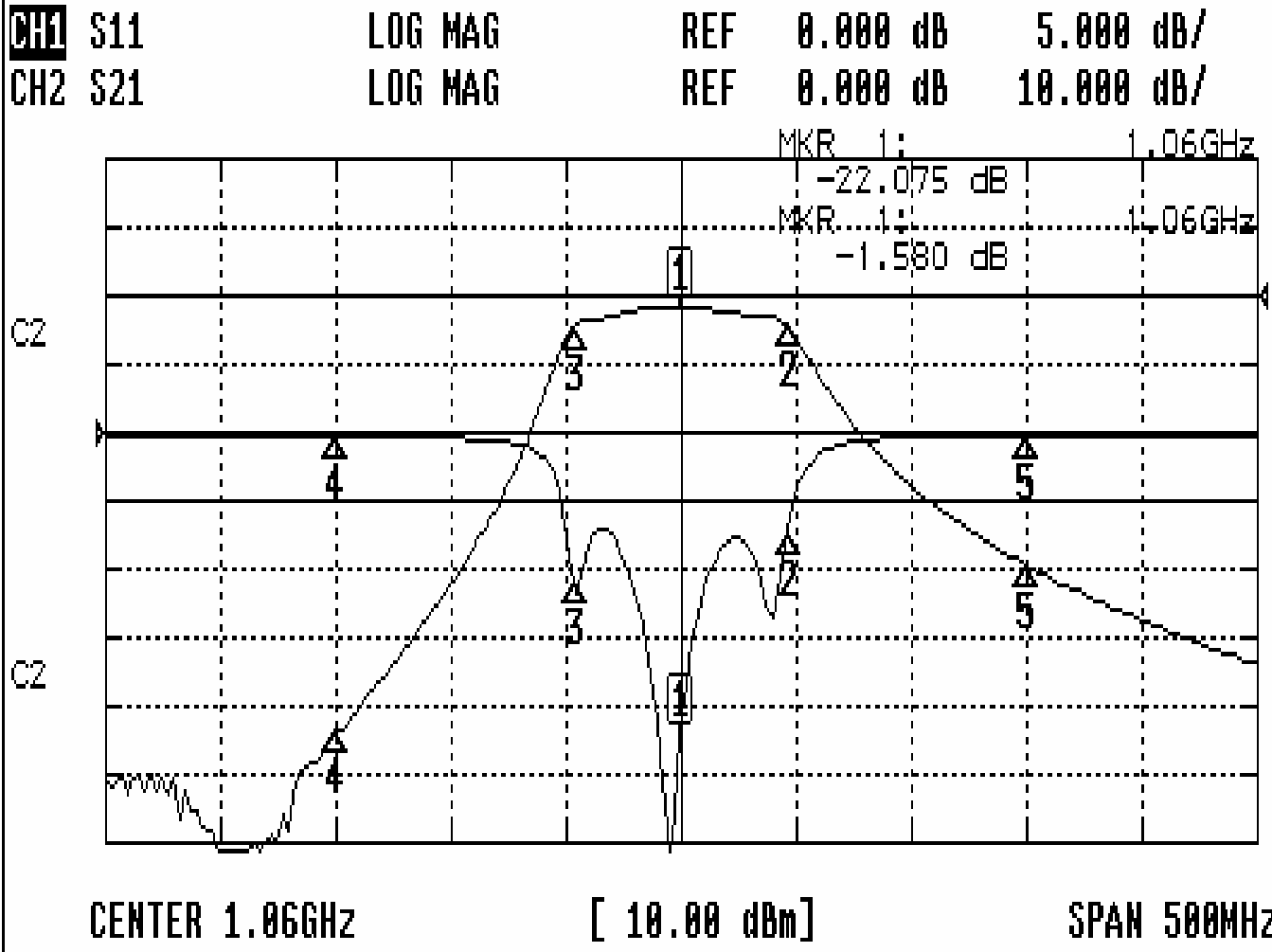


Approval C.Y.Chang	Supervisor C.K.Chang	Designer M.Y.Kang	Aperture size 7H4S(4*7.5)(7.58) 7H046LB5.5
-----------------------	-------------------------	----------------------	--------------------------------------------------

TEMWELL CORPORATION

Performance-TF69353A-1060M

201708107CD



CH1 MARKER LIST

Marker	Frequency	Magnitude
1	1.060 000GHz	-22.075 dB
2	1.106 250GHz	-7.441 dB
3	1.013 650GHz	-10.821 dB
4	910.000MHz	-0.265 dB
5	1.210 000GHz	-0.286 dB

CH2 MARKER LIST

Marker	Frequency	Magnitude
1	1.060 000GHz	-1.580 dB
2	1.106 250GHz	-4.536 dB
3	1.013 650GHz	-4.563 dB
4	910.000MHz	-64.489 dB
5	1.210 000GHz	-39.416 dB