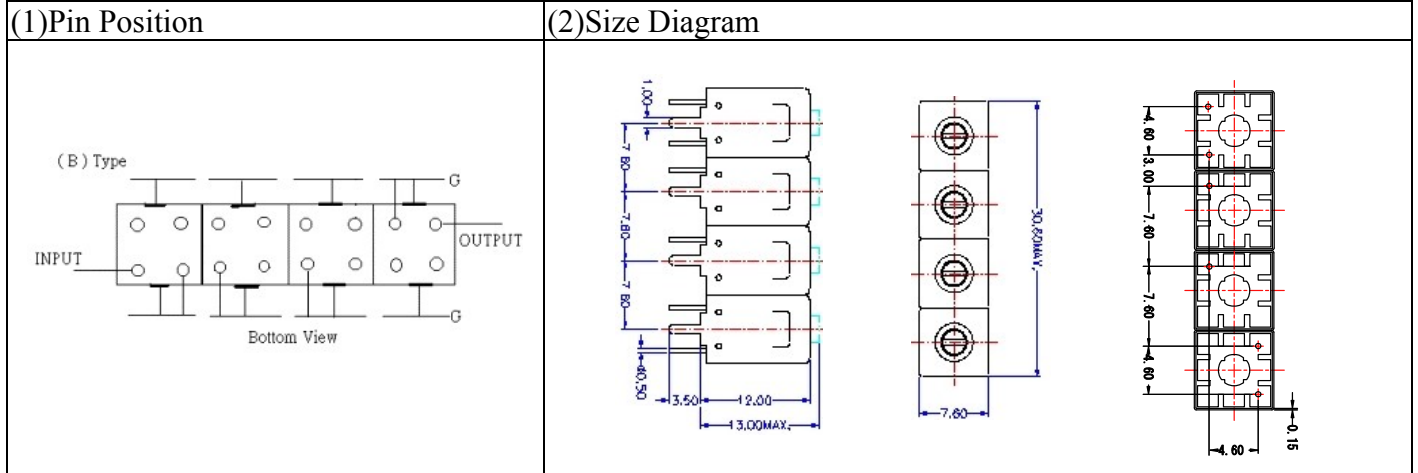
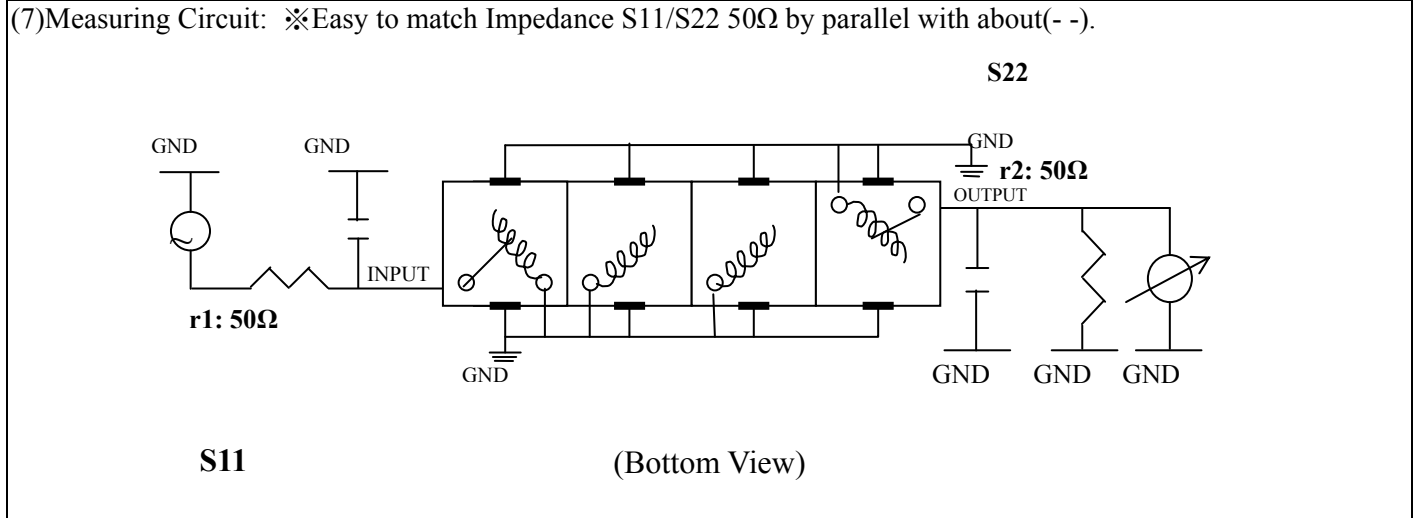


VHF UHF Helical Filter Specification Sheet

Customer Name		Temwell's Part No.	TF69324B-280M
Approval No. /dated	201702024CD	Temwell's Print Name	69324B 280M
Work Instruction No.	201702024CD	Date	Feb.20.2018



(3) Electric Characteristic			
Item		Specify	Performance
Center Freq.(Fo) +/- 0.5 %		280 MHz	280 MHz
Insertion Loss		Typ. 2.5 dB	1.86 dB
-3 dB Bandwidth		Typ. 17 MHz	20.3 MHz
Sensitivity (Attenuation)	Fo - 50 MHz	Typ. 55 dBc	75 dBc
	Fo + 50 MHz	Typ. 35 dBc	52 dBc
	Fo - ()MHz	Typ. dBc	dBc
	Fo + ()MHz	Typ. dBc	dBc
Return Loss		Min. 12 dB	35.2 dB
Ripple		< 1 dB	dB
Impedance		In / Out : 50 Ω	In / Out : 50 Ω
(4) Torque for Tuning Screw		> 60gf · cm	
(5) Temperature Condition:			
Operating Temperature		0°C ~ +60°C	
Storage Temperature		-20°C ~ +70°C	
(6) Input Power		> 1Watt	



Approval	Supervisor	Designer	Aperture size
C.Y.Chang	C.K.Chang	W.W.Wang	7H4S(4*7.5)(7.53) 7H024LB4
TEMWELL CORPORATION			

Performance-TF69324B-280M

201702024CD

