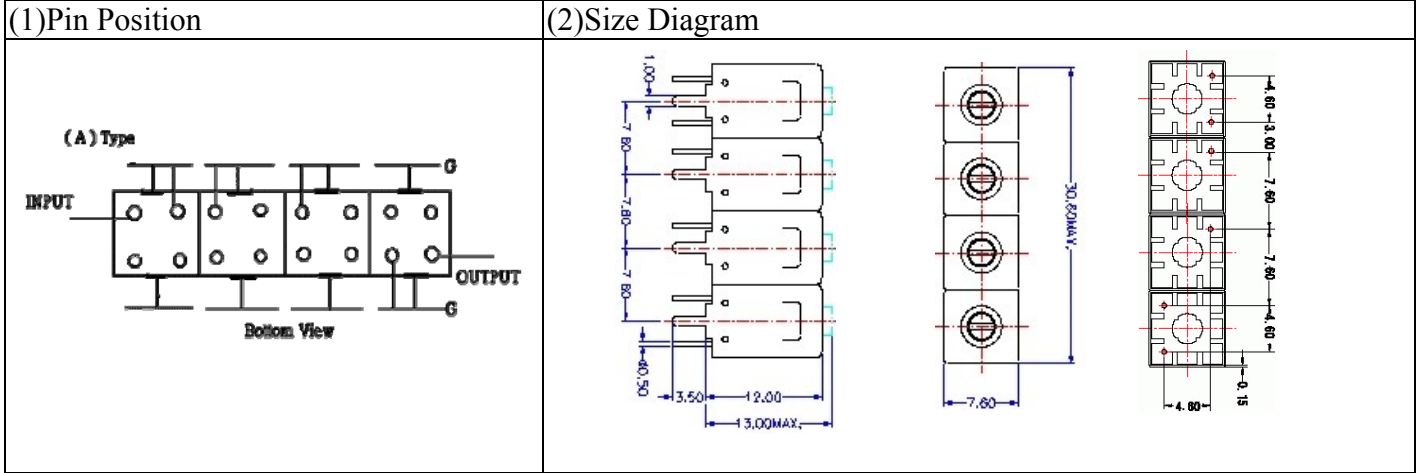


# VHF UHF Helical Filter Specification Sheet

Customer Name		Temwell's Part No.	TF69309A-890M
Approval No. /dated	201708080CD	Temwell's Print Name	69309A 890M
Work Instruction No.	201708080CD	Date	Sep.15.2017



(3) Electric Characteristic

Item	Specify	Performance	
Center Freq.(Fo) +/- 0.5 %	890 MHz	890 MHz	
Insertion Loss	Typ. 3.0 dB	2.28 dB	
-3 dB Bandwidth	Typ. 35 MHz	41.6 MHz	
Sensitivity (Attenuation)	Fo - 100 MHz	Typ. 63 dBc	73 dBc
	Fo + 100 MHz	Typ. 48 dBc	53 dBc
	Fo - ( )MHz	Typ. dBc	dBc
	Fo +( )MHz	Typ. dBc	dBc
Return Loss	Min. 12 dB	28.5 dB	
Ripple	< 1 dB	dB	
Impedance	In / Out : 50 Ω	In / Out : 50 Ω	

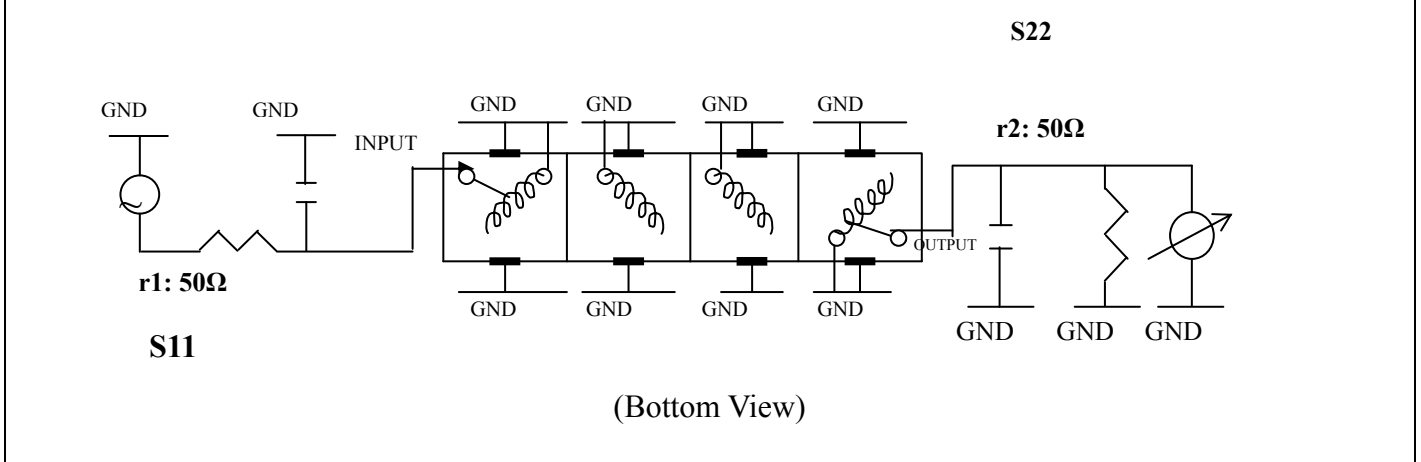
(4) Torque for Tuning Screw > 60gf • cm

(5) Temperature Condition:

Operating Temperature	0°C ~ +60°C
Storage Temperature	-20°C ~ +70°C

(6) Input Power > 1Watt

(7) Measuring Circuit: ※Easy to match Impedance S11/S22 /50Ω by parallel with about(- -).



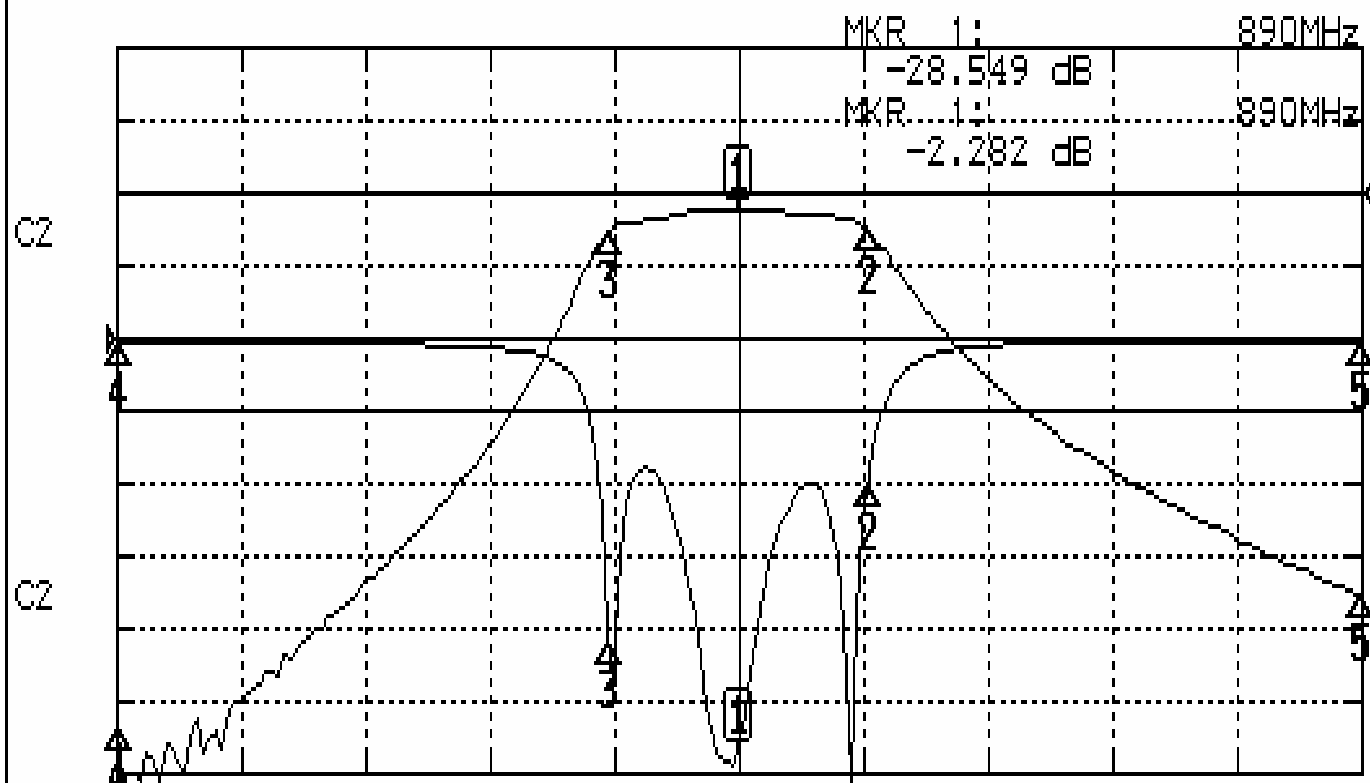
Approval	Supervisor	Designer	Aperture size
C.Y.Chang	C.K.Chang	C.H..Yeh	7H4S(4*7.35)(7.40) 7H046LB4.5 聚 2

TEMWELL CORPORATION

# Performance-TF69309A-890M

## 201708080CD

**CH1** S11                    LOG MAG                    REF 0.000 dB            5.000 dB/  
**CH2** S21                    LOG MAG                    REF 0.000 dB            10.000 dB/



**CENTER 890MHz**

**[ 10.00 dBm ]**

**SPAN 200MHz**

**CH1 MARKER LIST**

1:	890.000MHz	-28.549	dB
2:	910.833MHz	-19.824	dB
3:	869.166MHz	-21.009	dB
4:	790.000MHz	-10.203	dB
5:	990.000MHz	-0.193	dB

**CH2 MARKER LIST**

1:	890.000MHz	-2.282	dB
2:	910.833MHz	-11.267	dB
3:	869.166MHz	-11.241	dB
4:	790.000MHz	-75.717	dB
5:	990.000MHz	-55.522	dB