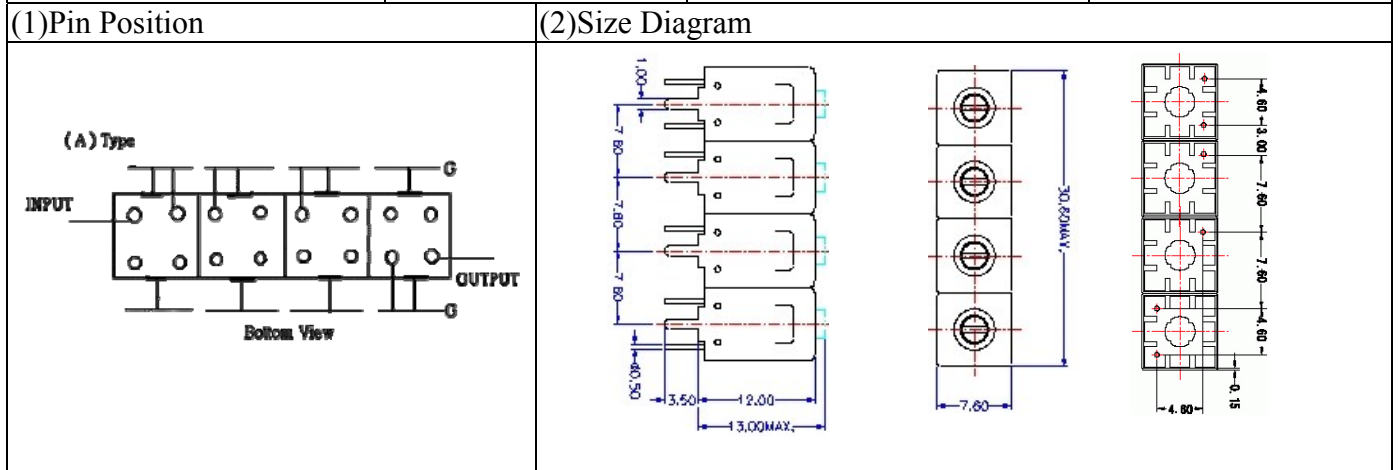
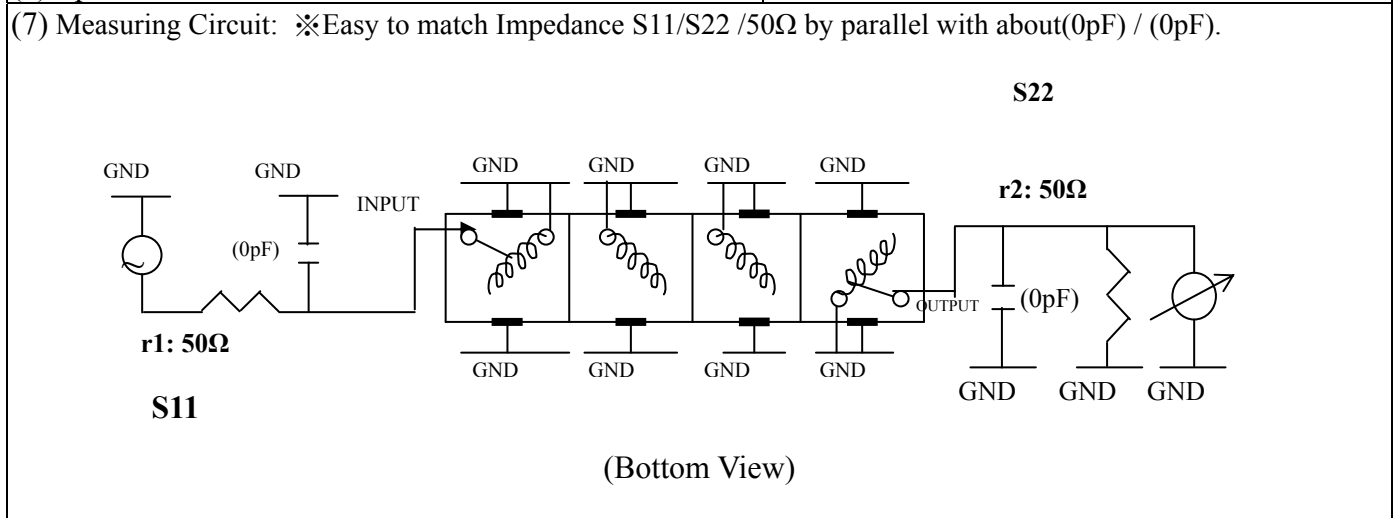


VHF UHF Helical Filter Specification Sheet

Customer Name		Temwell's Part No.	TF69301A-815M
Approval No. /dated	0901029CD	Temwell's Print Name	69301A 815M
Work Instruction No.	200901092CD	Date	Feb.20.2009



(3) Electric Characteristic			
Item		Specify	Performance
Center Freq.(Fo) +/- 0.5 %		815 MHz	815 MHz
Insertion Loss		Typ. 3.5 dB	2.17 dB
-3 dB Bandwidth		Typ. 29 MHz	33.5 MHz
Sensitivity (Attenuation)	Fo - 50 MHz	Typ. 46 dBc	49 dBc
	Fo + 50 MHz	Typ. 35 dBc	38 dBc
	Fo - ()MHz	Typ. dBc	dBc
	Fo +()MHz	Typ. dBc	dBc
Return Loss		Min. 12 dB	23.1 dB
Ripple		< 1 dB	dB
Impedance		In / Out : 50 Ω	In / Out : 50 Ω
(4) Torque for Tuning Screw		> 100gf · cm	
(5) Temperature Condition:			
Operating Temperature		0°C ~ +60°C	
Storage Temperature		-20°C ~ +70°C	
(6) Input Power		> 1Watt	

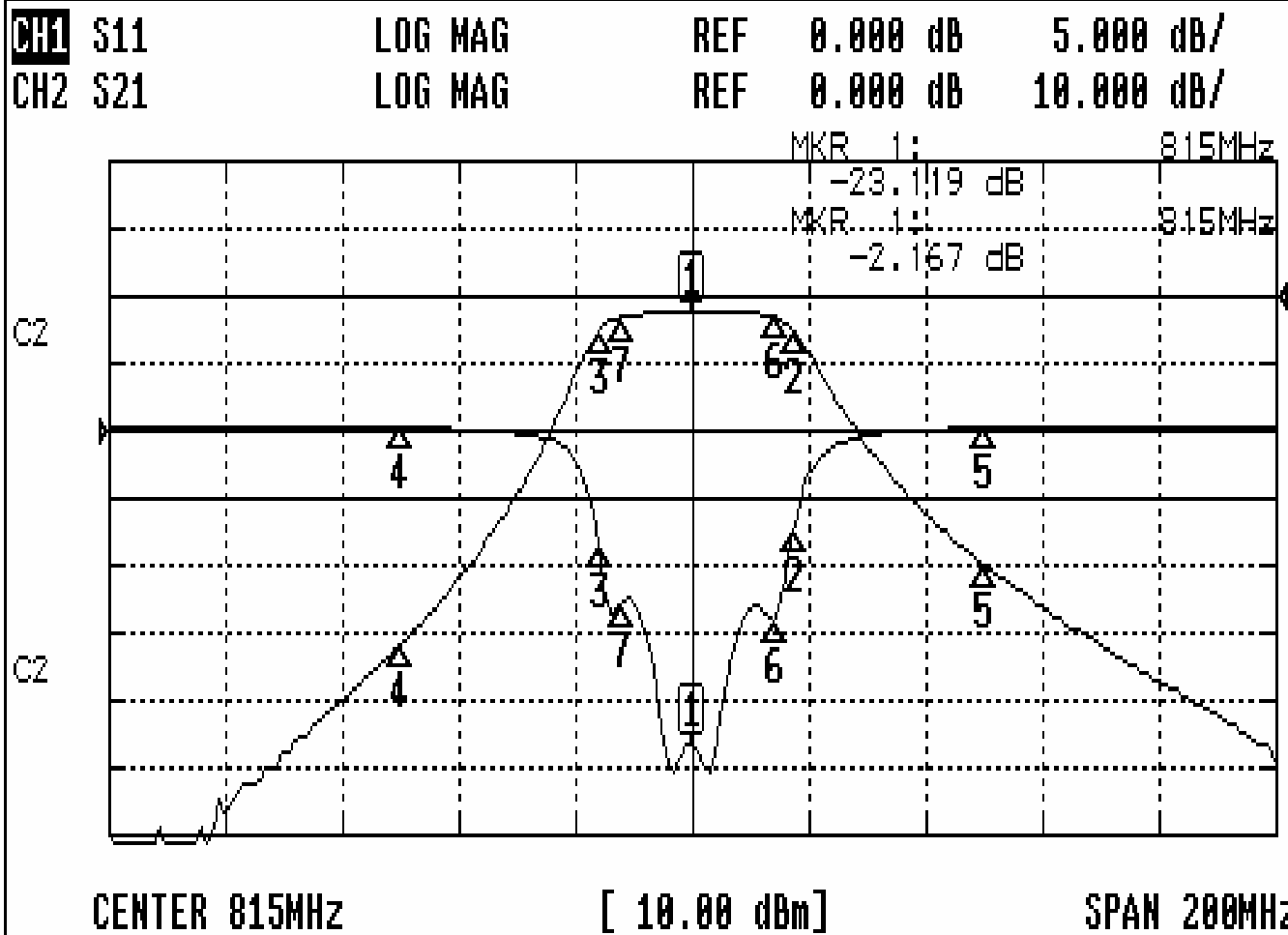


Approval	Supervisor	Designer	Aperture size
C.Y.Chang	C.S.Chang	W.W.Wang	7H4(4*6.5F)(6.56) (7H046RB4)

TEMWELL CORPORATION

Performance-TF69301A-815M

200901092CD



CH1 MARKER LIST

1	815.000MHz	-23.119	dB
2	832.500MHz	-7.152	dB
3	799.000MHz	-8.483	dB
4	765.000MHz	0.235	dB
5	865.000MHz	0.227	dB
6	829.166MHz	-14.030	dB
7	802.833MHz	-12.782	dB

CH2 MARKER LIST

1	815.000MHz	-2.170	dB
2	832.500MHz	-1.157	dB
3	799.000MHz	-1.186	dB
4	765.000MHz	-1.878	dB
5	865.000MHz	-1.870	dB
6	829.166MHz	-1.117	dB
7	802.833MHz	-3.134	dB