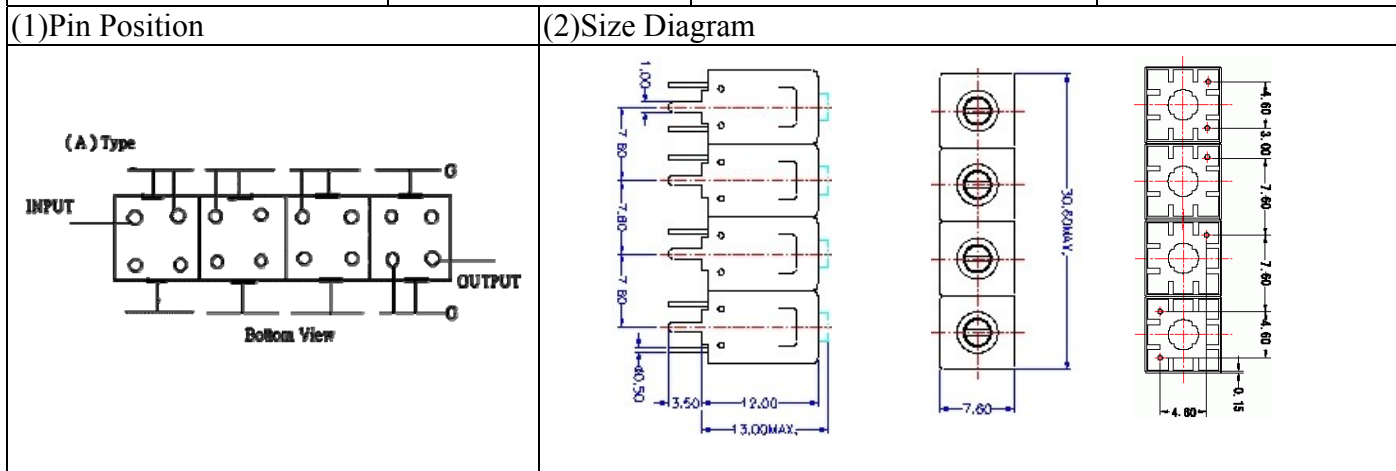


VHF UHF Helical Filter Specification Sheet

Customer Name		Temwell's Part No.	TF69300A-530M
Approval No. /dated	0902037CD	Temwell's Print Name	69300A 530M
Work Instruction No.	200902037CD	Date	Mar.25.2009



(3) Electric Charasteric

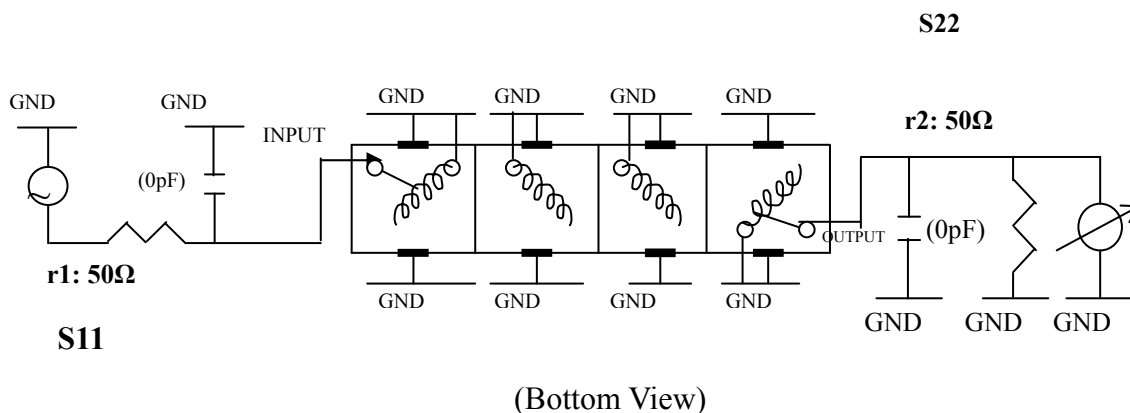
Item	Specify	Performance	
Center Freq.(Fo) +/- 0.5 %	530 MHz	530 MHz	
Insertion Loss	Typ. 3.0 dB	1.75 dB	
-3 dB Bandwidth	Typ. 28 MHz	31.2 MHz	
Sensitivity (Attenuation)	Fo - 50 MHz	Typ. 49 dBc	52 dBc
	Fo + 50 MHz	Typ. 35 dBc	38 dBc
	Fo - ()MHz	Typ. dBc	dBc
	Fo +()MHz	Typ. dBc	dBc
Return Loss	Min. 12 dB	21.2 dB	
Ripple	< 1 dB	dB	
Impedance	In / Out : 50 Ω	In / Out : 50 Ω	
(4) Torque for Tuning Screw	> 100gf · cm		

(5) Temperature Condition:

Operating Temperature	0°C ~ +60°C
Storage Temperature	-20°C ~ +70°C

(6) Input Power

(7) Measuring Circuit: ※Easy to match Impedance S11/S22 /50Ω by parallel with about(0pF) / (0pF).



Approval C.Y.Chang	Supervisor C.K.Chang	Designer C.S.Chang	Aperture size 7H4(4*7.5F)(7.52) (7H046RB4)
-----------------------	-------------------------	-----------------------	--

TEMWELL CORPORATION

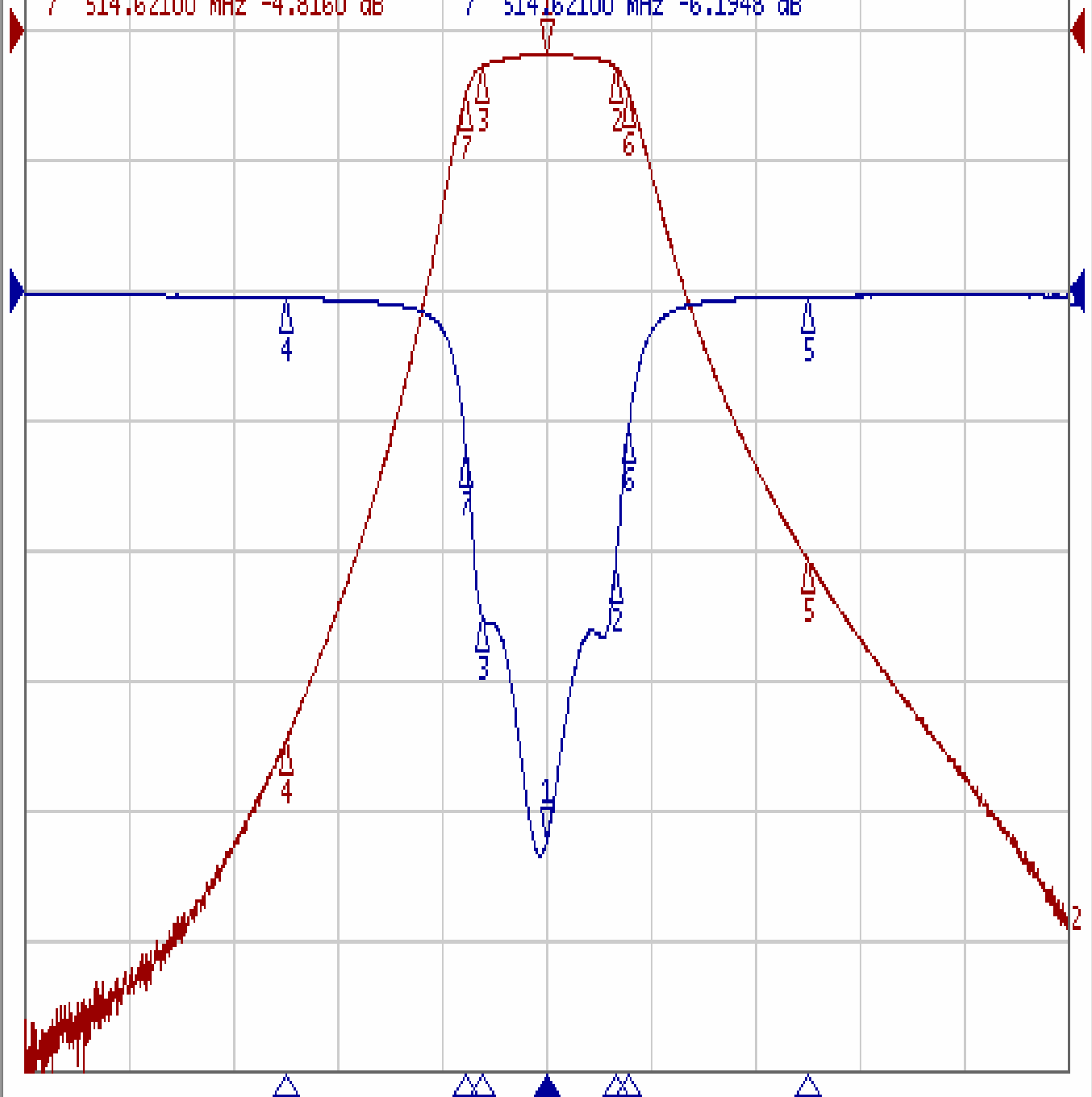
Performance-TF69300A-530M

200902037CD

Tr1 S11 Log Mag 5.000dB/ Ref 0.000dB [F3]

Tr2 S21 Log Mag 10.00dB/ Ref 0.000dB [F3]

1	530.00000 MHz	-1.7534 dB	>1	530.00000 MHz	-21.214 dB
2	543.23950 MHz	-2.7626 dB	2	543.23950 MHz	-10.651 dB
3	517.62350 MHz	-2.7027 dB	3	517.62350 MHz	-12.466 dB
4	480.00000 MHz	-54.597 dB	4	480.00000 MHz	-0.2691 dB
5	580.00000 MHz	-40.653 dB	5	580.00000 MHz	-0.2139 dB
6	545.84100 MHz	-4.7527 dB	6	545.84100 MHz	-5.2040 dB
7	514.62100 MHz	-4.8160 dB	7	514.62100 MHz	-6.1948 dB



1 Center 530 MHz

IFBW 10 kHz

Span 200 MHz

