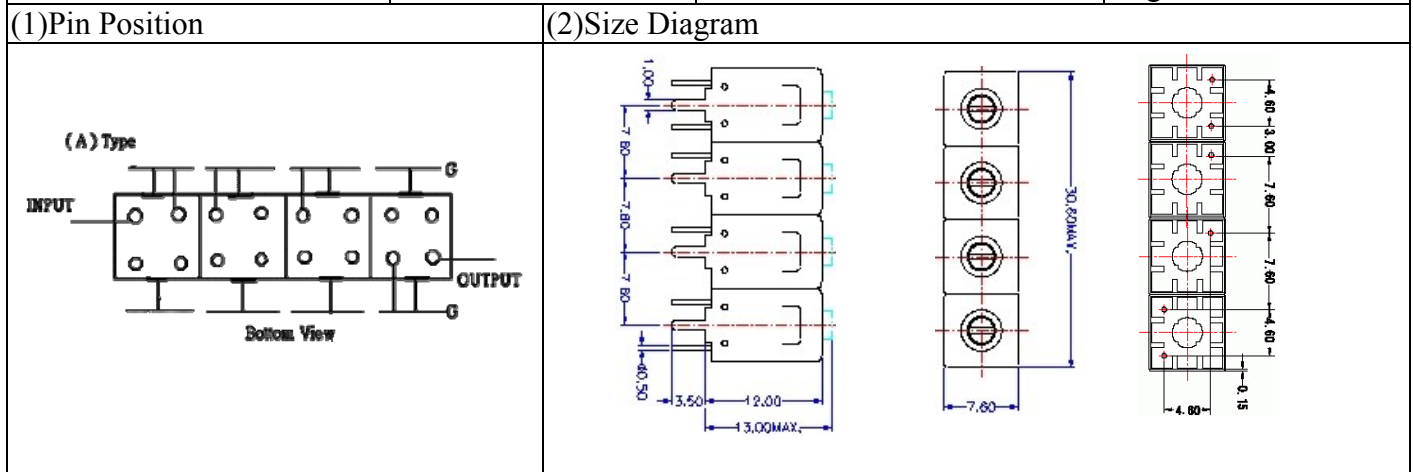
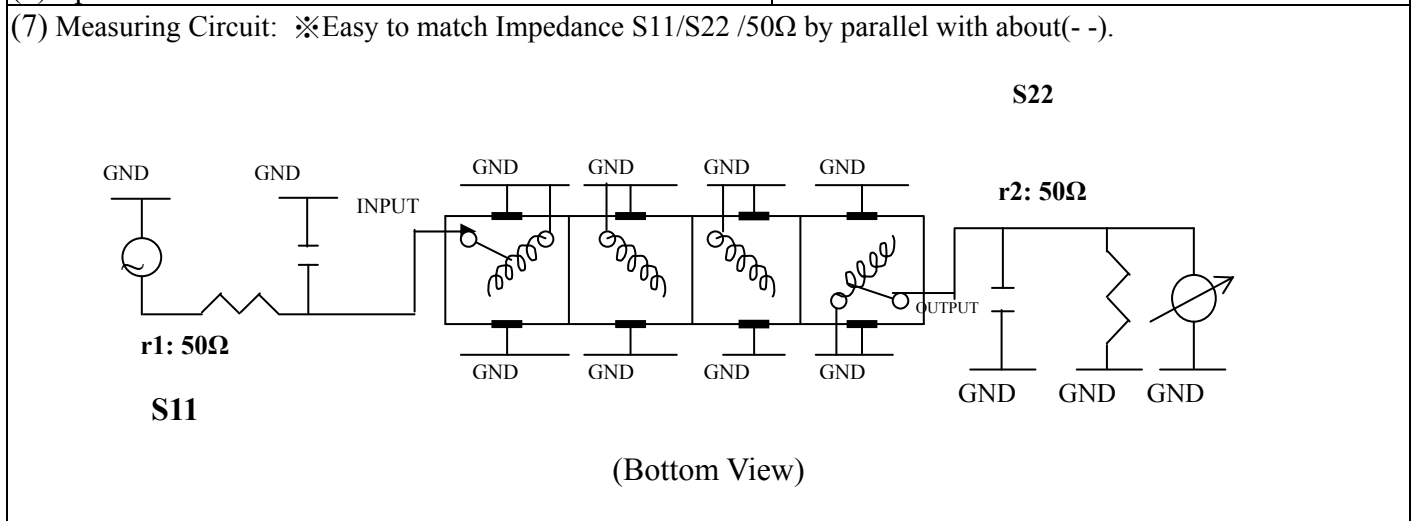


VHF UHF Helical Filter Specification Sheet

Customer Name		Temwell's Part No.	TF69297A-680M
Approval No. /dated	201707045CD	Temwell's Print Name	69297A 680M
Work Instruction No.	201707045CD	Date	Aug.07.2017



Item		Specify	Performance
Center Freq.(Fo) +/- 0.5 %		680 MHz	680 MHz
Insertion Loss		Typ. 2.5 dB	1.88 dB
-3 dB Bandwidth		Typ. 35 MHz	39.8 MHz
Sensitivity (Attenuation)	Fo - 50 MHz	Typ. 40 dBc	45 dBc
	Fo + 50 MHz	Typ. 24 dBc	29 dBc
	Fo - ()MHz	Typ. dBc	dBc
	Fo + ()MHz	Typ. dBc	dBc
Return Loss		Min. 12 dB	38.8 dB
Ripple		< 1 dB	dB
Impedance		In / Out : 50 Ω	In / Out : 50 Ω
(4) Torque for Tuning Screw		> 60gf · cm	
(5) Temperature Condition:			
Operating Temperature		0°C ~ +60°C	
Storage Temperature		-20°C ~ +70°C	
(6) Input Power		> 1Watt	



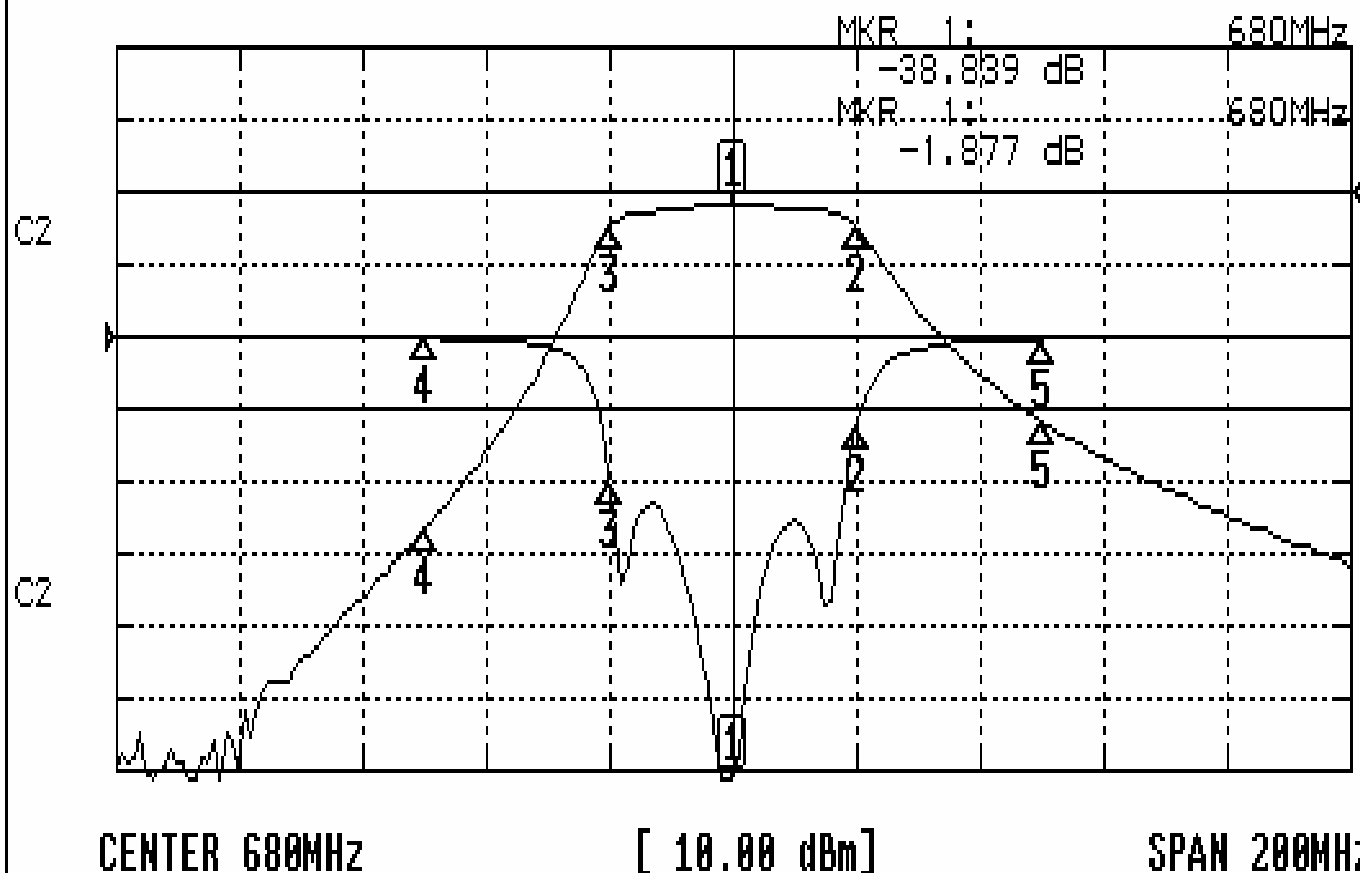
Approval C.Y.Chang	Supervisor C.K.Chang	Designer C.H.Yeh	Aperture size 7H4S(4*7.35)(7.40) 7H046LB4.3 聚 3
-----------------------	-------------------------	---------------------	---

TEMWELL CORPORATION

Performance-TF69297A-680M

201707045CD

CH1 S11 LOG MAG REF 0.000 dB 5.000 dB/
CH2 S21 LOG MAG REF 0.000 dB 10.000 dB/



CH1 MARKER LIST

1:	680.000MHz	-38.839	dB
2:	700.000MHz	-6.291	dB
3:	660.150MHz	-10.016	dB
4:	630.000MHz	-0.129	dB
5:	730.000MHz	-0.161	dB

CH2 MARKER LIST

1:	680.000MHz	-1.882	dB
2:	700.000MHz	-4.901	dB
3:	660.150MHz	-4.827	dB
4:	630.000MHz	-46.856	dB
5:	730.000MHz	-31.664	dB