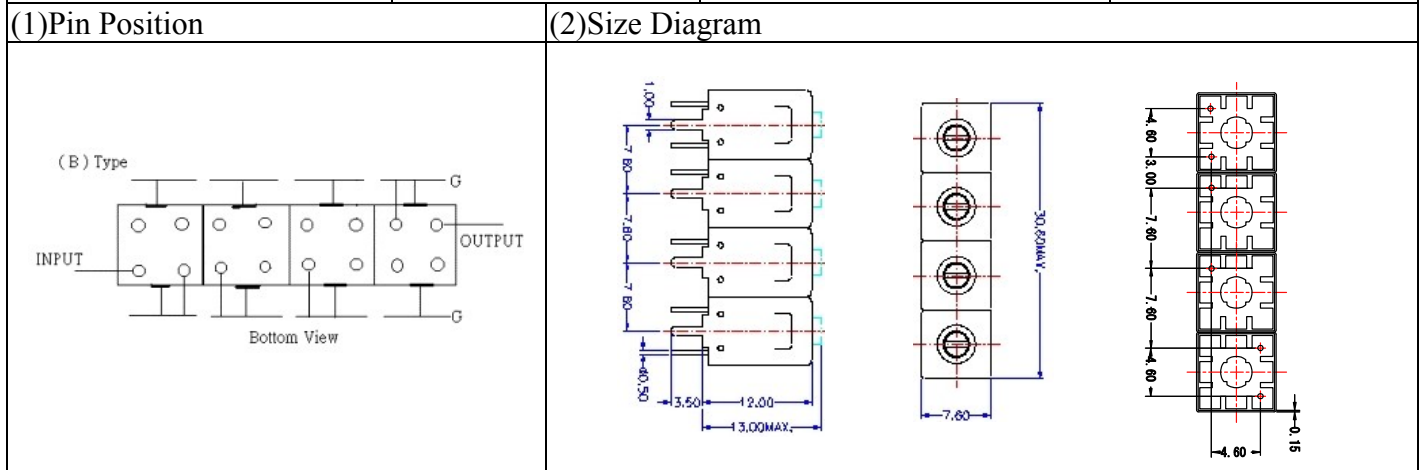
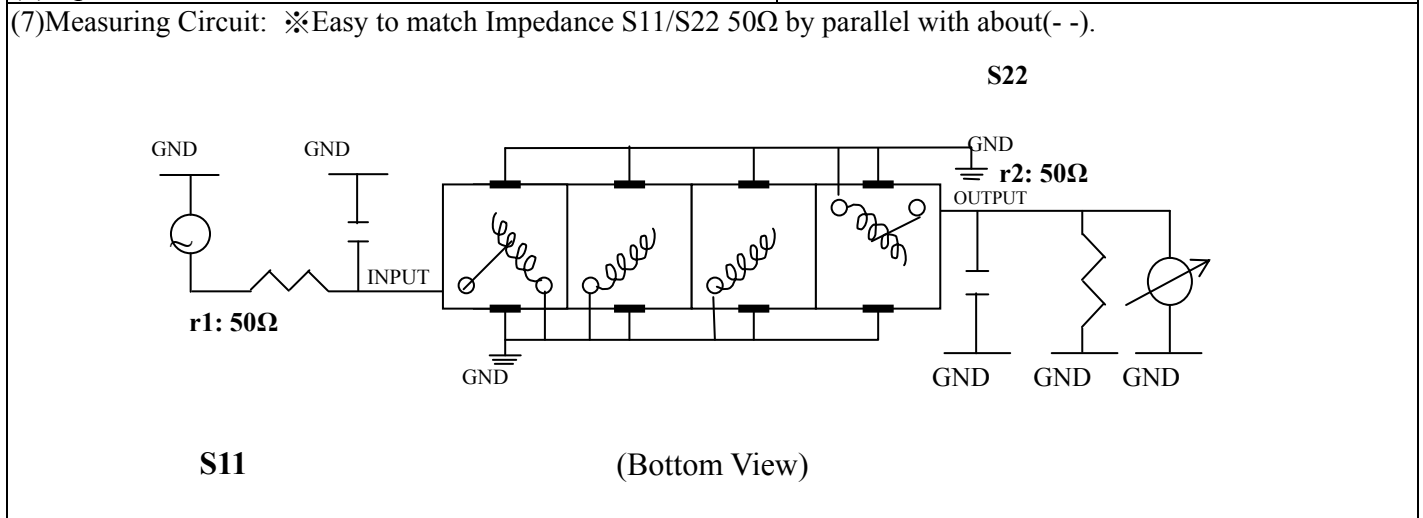


VHF UHF Helical Filter Specification Sheet

Customer Name		Temwell's Part No.	TF69296B-250M
Approval No. /dated	201702021CD	Temwell's Print Name	69296B 250M
Work Instruction No.	201702021CD	Date	Feb.23.2017



(3) Electric Characteristic			
Item		Specify	Performance
Center Freq.(Fo) +/- 0.5 %		250 MHz	250 MHz
Insertion Loss		Typ. 1.5 dB	0.68 dB
-3 dB Bandwidth		Typ. 50 MHz	63..4 MHz
Sensitivity (Attenuation)	Fo - 100 MHz	Typ. 60 dBc	63 dBc
	Fo + 100 MHz	Typ. 35 dBc	40 dBc
	Fo - ()MHz	Typ. dBc	dBc
	Fo +()MHz	Typ. dBc	dBc
Return Loss		Min. 12 dB	35.0 dB
Ripple		< 1 dB	dB
Impedance		In / Out : 50 Ω	In / Out : 50 Ω
(4) Torque for Tuning Screw		> 60gf • cm	
(5) Temperature Condition:			
Operating Temperature		0°C ~ +60°C	
Storage Temperature		-20°C ~ +70°C	
(6) Input Power		> 1 Watt	



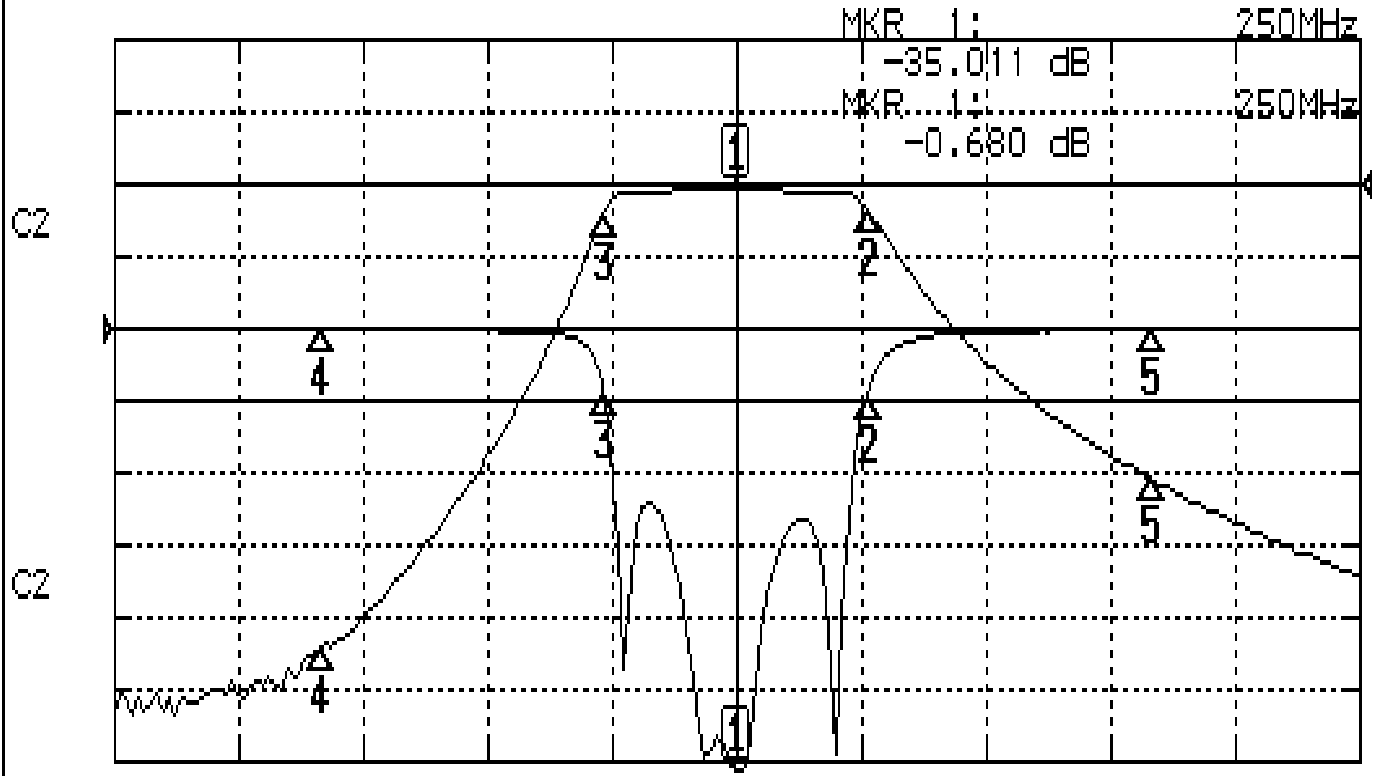
Approval	Supervisor	Designer	Aperture size
C.Y.Chang	C.K.Chang	C.H.Yeh	7H4S(4*7.35)(7.40) 7H046RB6.5(J1)

TEMWELL CORPORATION

Performance-TF69296B-250M

201702021CD

CH1 S11 LOG MAG REF 0.000 dB 5.000 dB/
CH2 S21 LOG MAG REF 0.000 dB 10.000 dB/



CENTER 250MHz

[10.00 dBm]

SPAN 300MHz

CH1 MARKER LIST

Marker	Frequency (MHz)	Amplitude (dB)
1:	250.000	-35.011
2:	281.750	-4.452
3:	218.350	-4.786
4:	150.000	-0.083
5:	350.000	-0.093

CH2 MARKER LIST

Marker	Frequency (MHz)	Amplitude (dB)
1:	250.000	-0.680
2:	281.750	-3.695
3:	218.350	-3.675
4:	150.000	-64.148
5:	350.000	-40.861