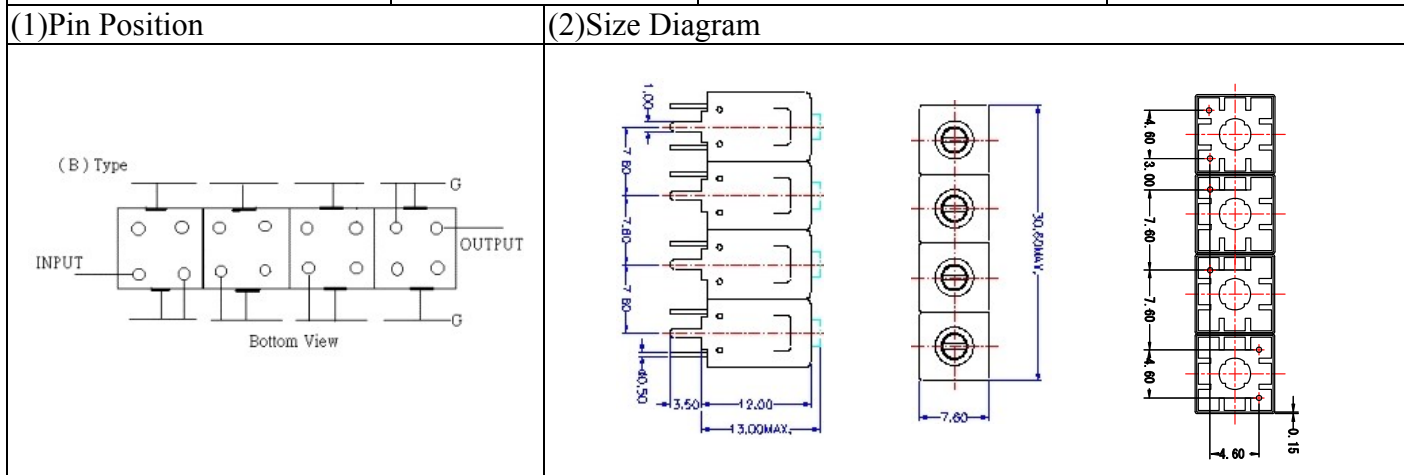


# VHF UHF Helical Filter Specification Sheet

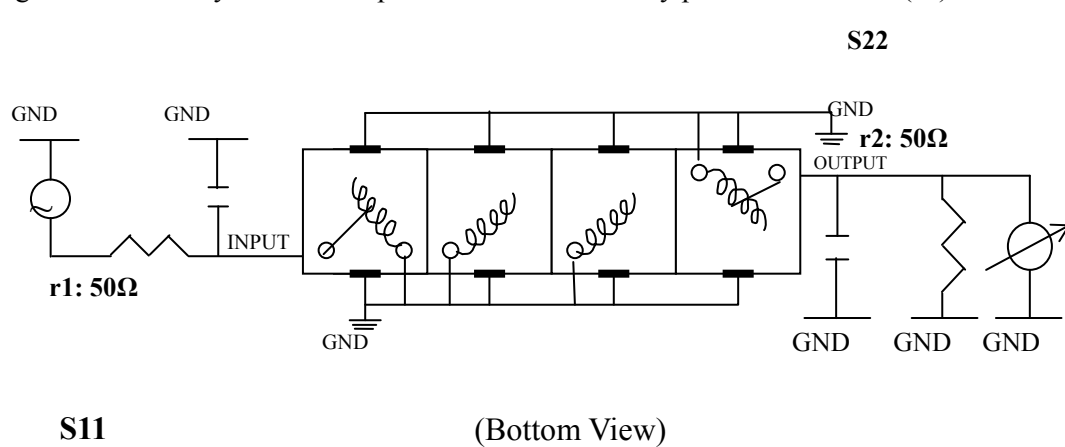
Customer Name		Temwell's Part No.	TF69295B-435M
Approval No. /dated	201803024CD	Temwell's Print Name	69295B 435M
Work Instruction No.	201803024CD	Date	Mar.23.2018



**(3) Electric Characteristic**

Item	Specify	Performance	
Center Freq.(Fo) +/- 0.5 %	435 MHz	435 MHz	
Insertion Loss	Typ. 2.5 dB	1.40 dB	
-3 dB Bandwidth	Typ. 34 MHz	36.5 MHz	
Sensitivity (Attenuation)	Fo - 50 MHz	Typ. 41 dBc	46 dBc
	Fo + 50 MHz	Typ. 29 dBc	34 dBc
	Fo - ( )MHz	Typ. dBc	dBc
	Fo + ( )MHz	Typ. dBc	dBc
Return Loss	Min. 12 dB	32.6 dB	
Ripple	< 1 dB	dB	
Impedance	In / Out : 50 Ω	In / Out : 50 Ω	
(4) Torque for Tuning Screw	> 60gf · cm		
(5) Temperature Condition:			
Operating Temperature	0°C ~ +60°C		
Storage Temperature	-20°C ~ +70°C		
(6) Input Power	> 1Watt		

(7) Measuring Circuit: ※Easy to match Impedance S11/S22 50Ω by parallel with about(- -).



Approval	Supervisor	Designer	Aperture size
C.Y.Chang	C.K.Chang	C.H.Yeh	7H4S(4*6.8)(6.83) 7H046LB5

TEMWELL CORPORATION

