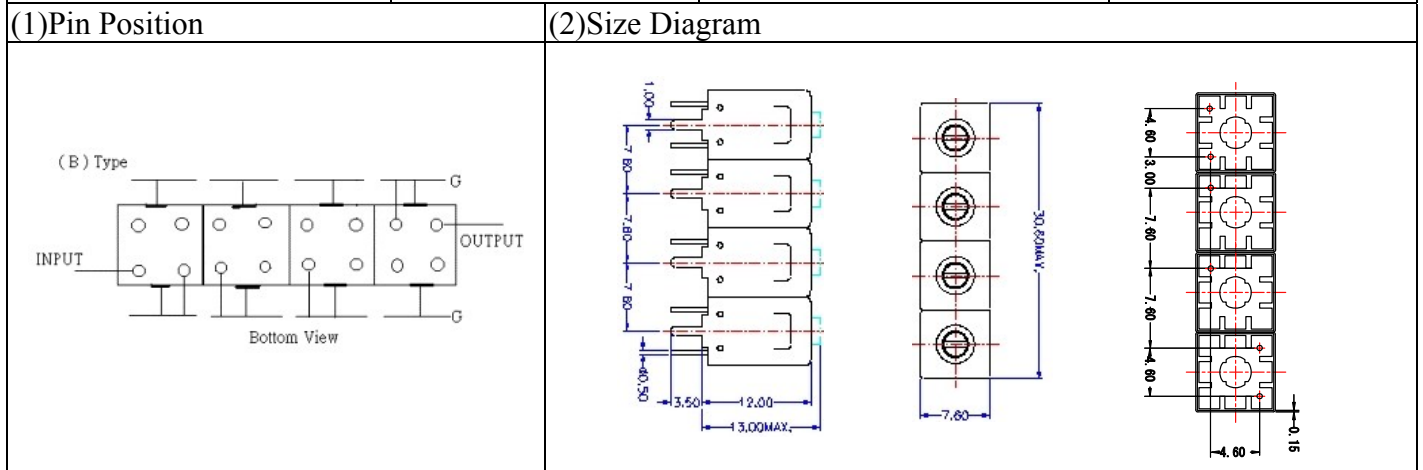


VHF UHF Helical Filter Specification Sheet

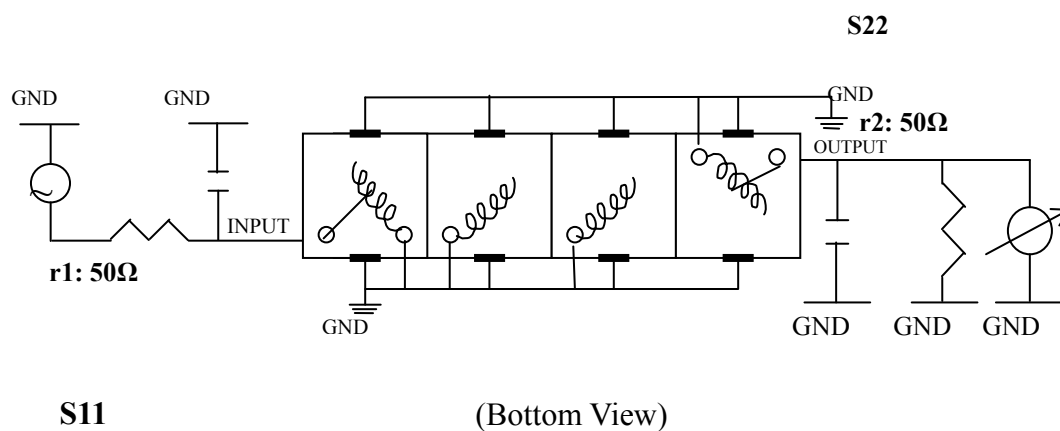
Customer Name		Temwell's Part No.	TF69295B-430M
Approval No. /dated	201703032CD	Temwell's Print Name	69295B 430M
Work Instruction No.	201703032CD	Date	Mar.09.2017



(3) Electric Characteristic

Item	Specify	Performance	
Center Freq.(Fo) +/- 0.5 %	430 MHz	430 MHz	
Insertion Loss	Typ. 3.0 dB	1.58 dB	
-3 dB Bandwidth	Typ. 34 MHz	36.1 MHz	
Sensitivity (Attenuation)	Fo - 50 MHz	Typ. 40 dBc	45 dBc
	Fo +50 MHz	Typ. 34 dBc	39 dBc
	Fo - ()MHz	Typ. dBc	dBc
	Fo +()MHz	Typ. dBc	dBc
Return Loss	Min. 12 dB	23.9 dB	
Ripple	< 1 dB	dB	
Impedance	In / Out : 50 Ω	In / Out : 50 Ω	
(4) Torque for Tuning Screw	> 60gf · cm		
(5) Temperature Condition:			
Operating Temperature	0°C ~ +60°C		
Storage Temperature	-20°C ~ +70°C		
(6) Input Power	> 1 Watt		

(7) Measuring Circuit: ※Easy to match Impedance S11/S22 50Ω by parallel with about(- -).



Approval	Supervisor	Designer	Aperture size
C.Y.Chang	C.K.Chang	W.W.Wang	7H4S(4*5.35)(5.38) 7H046LB5.5

TEMWELL CORPORATION

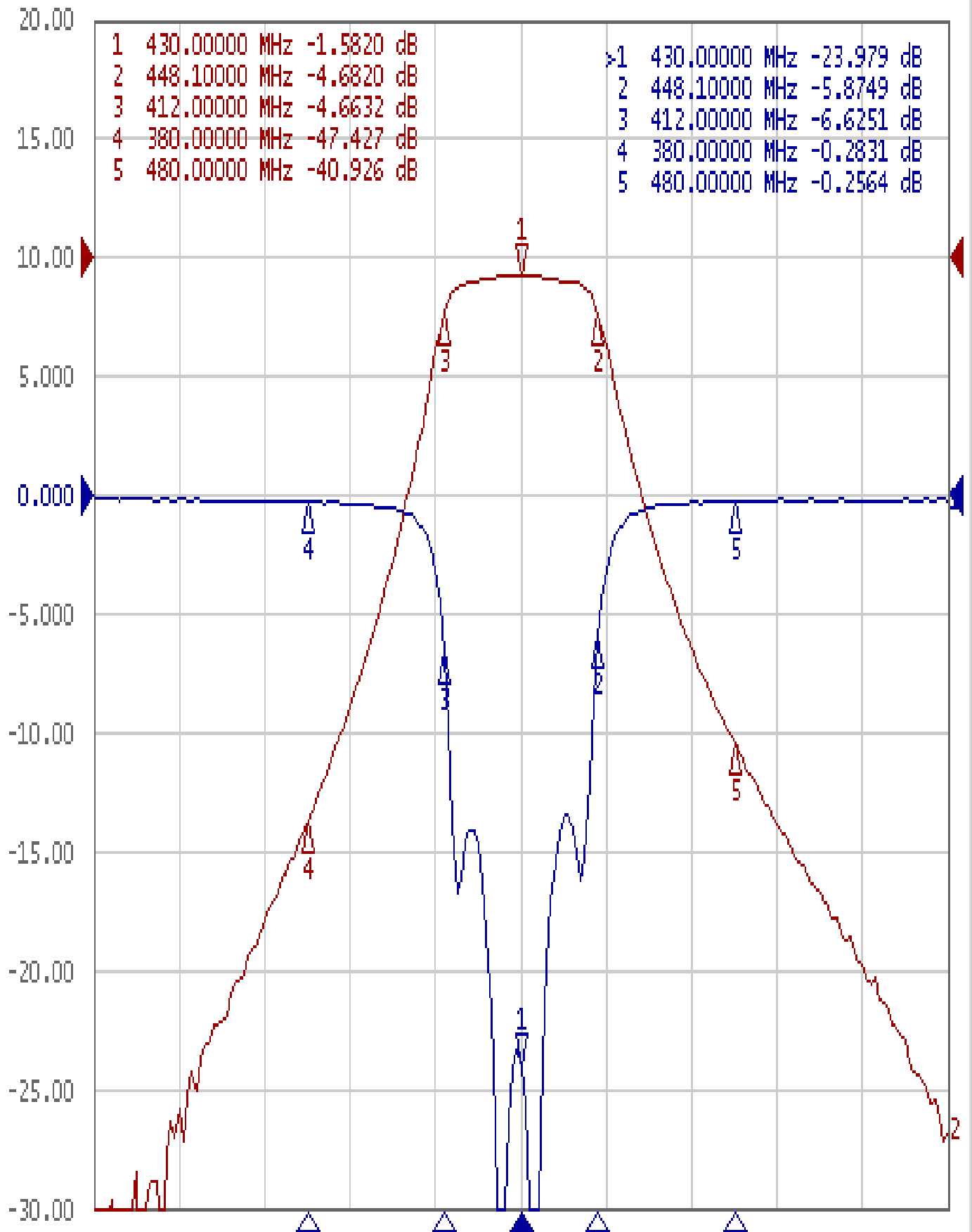
TEMWELL Form10-7H4B Vision D

RP (w.w.w)

Performance-TF69295B-430M

201703032CD

Tr1 S11 Log Mag 5.000dB/ Ref 0.000dB [F2]
Tr2 S21 Log Mag 10.00dB/ Ref 0.000dB [F2]



1 Center 430 MHz

IFBW 70 kHz

Span 200 MHz Cor