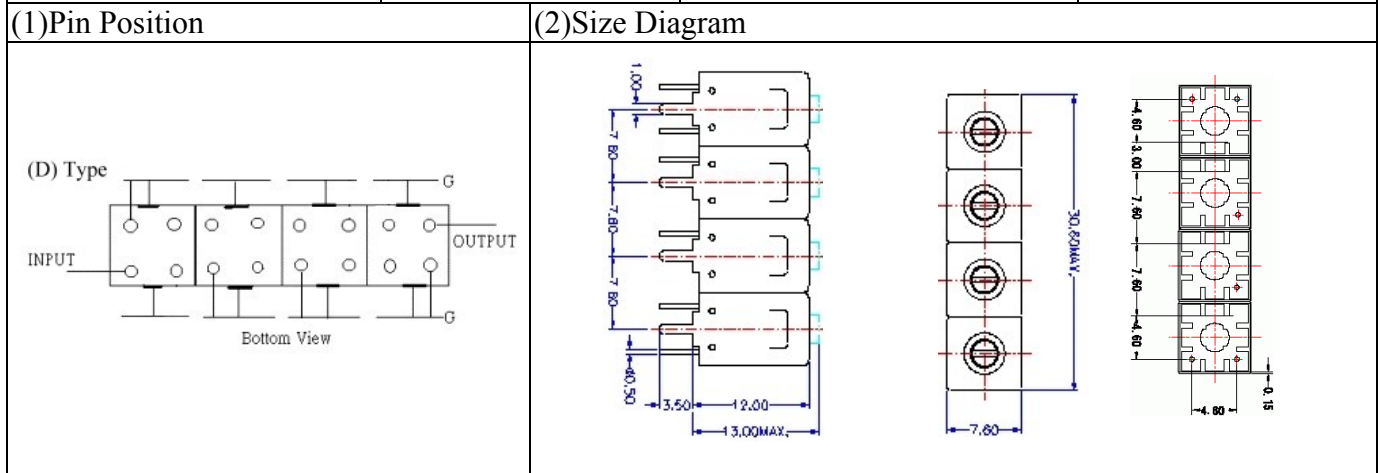
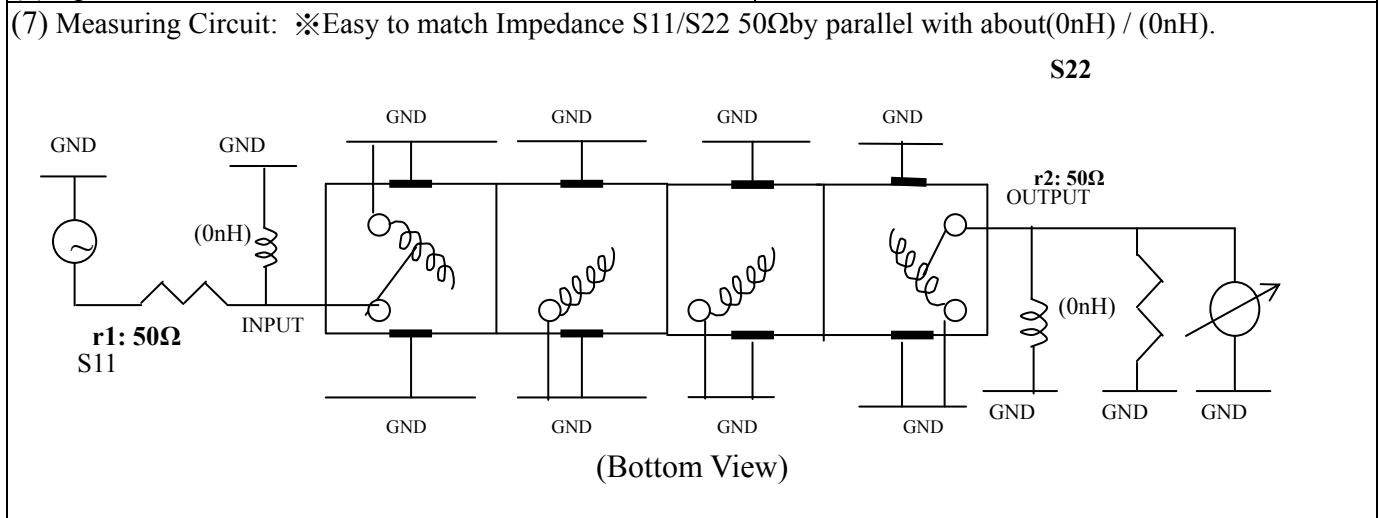


VHF UHF Helical Filter Specification Sheet

| | | | |
|----------------------|-------------|----------------------|-----------------|
| Customer Name | | Temwell's Part No. | TF69288D-1015M |
| Approval No. /dated | 0904195CD | Temwell's Print name | 69288D 1015M |
| Work Instruction No. | 200904195CD | Date | Jul.03.2009 |



| (3) Electric Characteristic | | | |
|-------------------------------|-----------------|---------------|-------------|
| Item | Specify | | Performance |
| Center Freq.(Fo) +/- 0.5 % | 1015 | MHz | 1015 MHz |
| Insertion Loss | Typ. 3.0 | dB | 1.84 dB |
| -3 dB Bandwidth | Typ. 56 | MHz | 63.6 MHz |
| Sensitivity (Attenuation) | Fo - 100 MHz | Typ. 50 dBc | 53 dBc |
| | Fo + 100 MHz | Typ. 32 dBc | 35 dBc |
| | Fo - ()MHz | Typ. dBc | |
| | Fo +()MHz | Typ. dBc | |
| Return Loss | Min. 12 | dB | 29.1 dB |
| Ripple | < 1 dB | | |
| Impedance | In / Out : 50 Ω | | 50 Ω |
| (4) Torque for Tuning Screw | | > 100gf • cm | |
| (5) Temperature Condition: | | | |
| Operating Temperature | | 0°C ~ +60°C | |
| Storage Temperature | | -20°C ~ +70°C | |
| (6) Input Power | | > 1 Watt | |



| | | | |
|-----------|------------|-----------|------------------------------|
| Approval | Supervisor | Designer | Aperture size |
| C.Y.Chang | C.K.Chang | C.S.Chang | 7H4(4*6.5)(6.62) 7H046LB5 |

TEMWELL CORPORATION

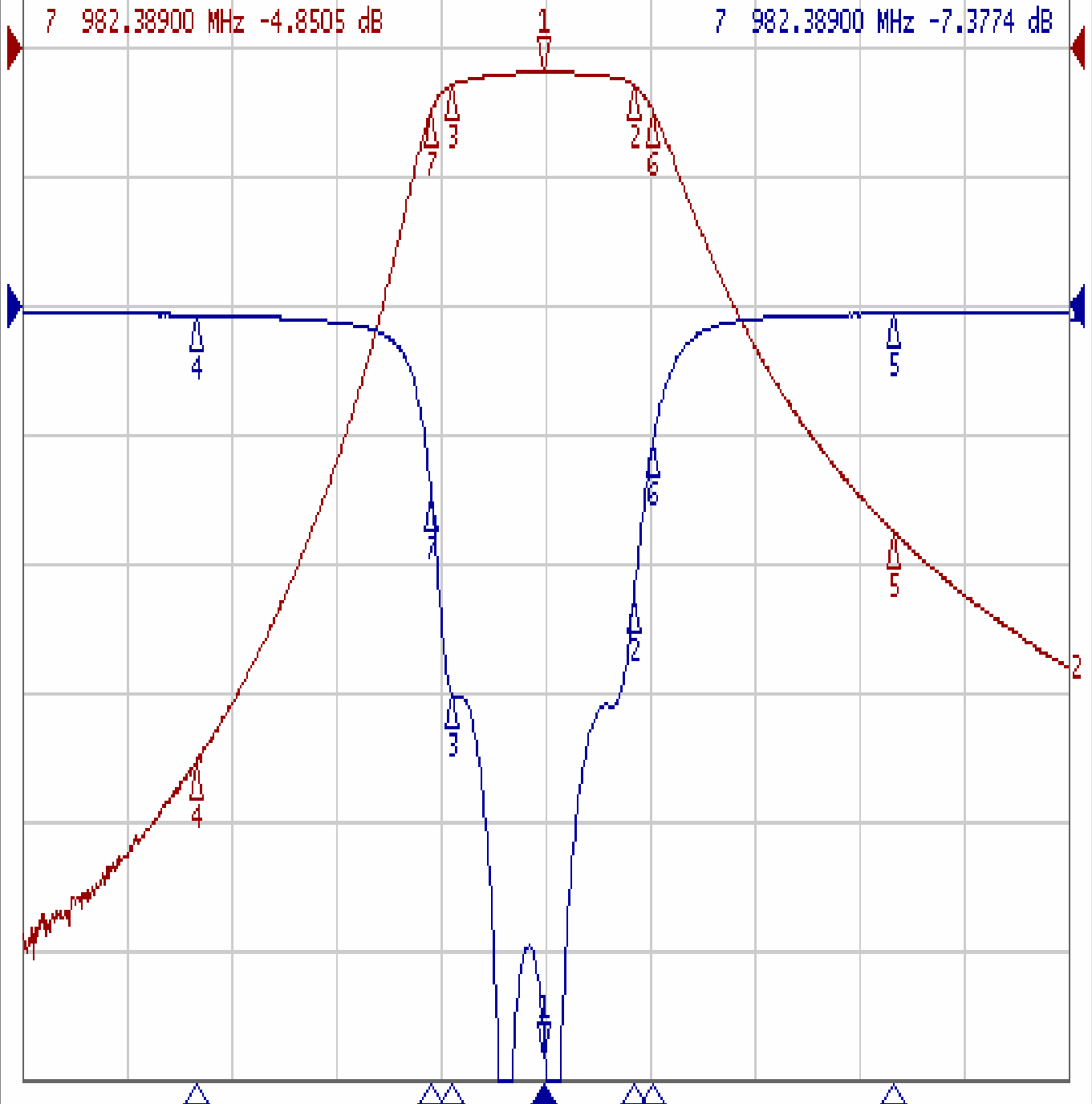
Performance-TF69288D-1015M

200904195CD

▶ Tr1 S11 Log Mag 5.000dB/ Ref 0.000dB [F2]
Tr2 S21 Log Mag 10.00dB/ Ref 0.000dB [F2]

| | | |
|---|---------------|------------|
| 1 | 1.0150000 GHz | -1.8458 dB |
| 2 | 1.0404193 GHz | -2.8370 dB |
| 3 | 988.15394 MHz | -2.8034 dB |
| 4 | 915.00000 MHz | -55.468 dB |
| 5 | 1.1150000 GHz | -37.524 dB |
| 6 | 1.0459970 GHz | -4.8878 dB |
| 7 | 982.38900 MHz | -4.8505 dB |

| | | |
|----|---------------|------------|
| >1 | 1.0150000 GHz | -29.109 dB |
| 2 | 1.0404193 GHz | -11.345 dB |
| 3 | 988.15394 MHz | -15.039 dB |
| 4 | 915.00000 MHz | -0.3382 dB |
| 5 | 1.1150000 GHz | -0.3020 dB |
| 6 | 1.0459970 GHz | -5.2050 dB |
| 7 | 982.38900 MHz | -7.3774 dB |



1 Center 1.015 GHz

IFBW 10 kHz

Span 300 MHz

Cor !