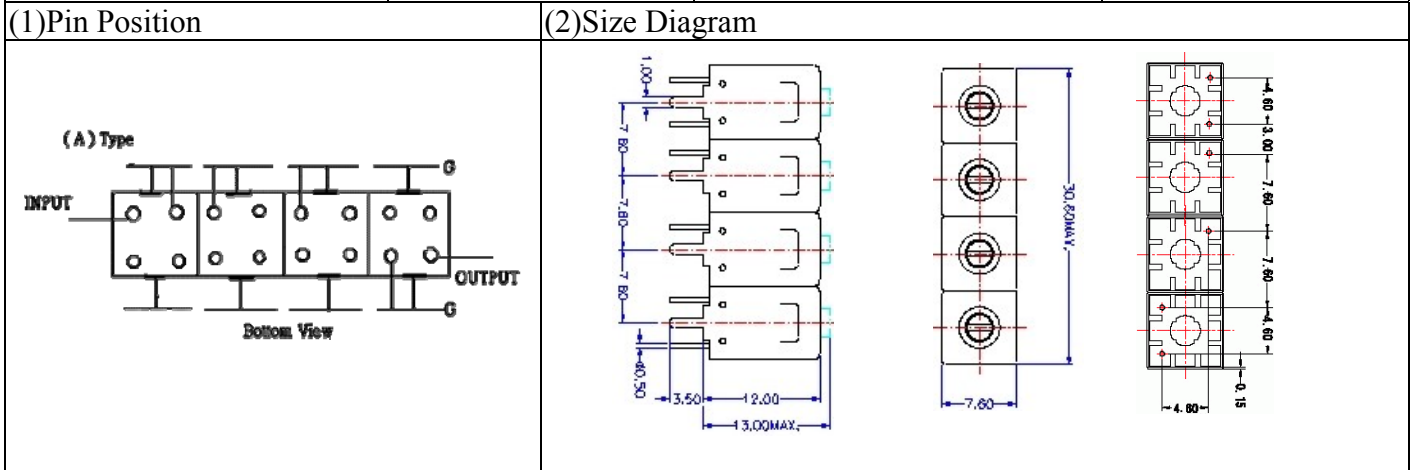
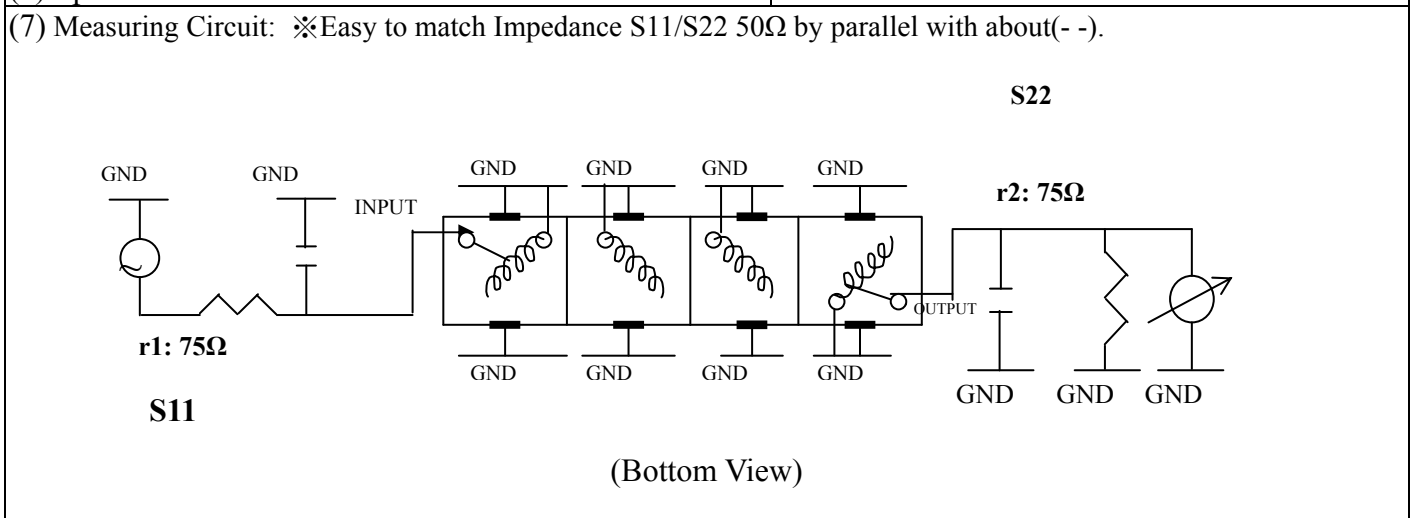


# VHF UHF Helical Filter Specification Sheet

Customer Name		Temwell's Part No.	TF69281A-146M
Approval No. /dated	201803021CD	Temwell's Print Name	69281A 146M
Work Instruction No.	201803021CD	Date	Mar.21.2018



Item		Specify	Performance
Center Freq.(Fo) +/- 0.5 %		146 MHz	146 MHz
Insertion Loss		Typ. 4.0 dB	2.88 dB
-3 dB Bandwidth		Typ. 8 MHz	9.4 MHz
Sensitivity (Attenuation)	Fo - 50 MHz	Typ. 65 dBc	78 dBc
	Fo + 50 MHz	Typ. 60 dBc	72 dBc
	Fo - ( )MHz	Typ. dBc	dBc
	Fo + ( )MHz	Typ. dBc	dBc
Return Loss		Min. 12 dB	28.8 dB
Ripple		< 1 dB	dB
Impedance		In / Out : 50 Ω	In / Out : 50 Ω
(4) Torque for Tuning Screw		> 60gf · cm	
(5) Temperature Condition:			
Operating Temperature		0°C ~ +60°C	
Storage Temperature		-20°C ~ +70°C	
(6) Input Power		> 1Watt	

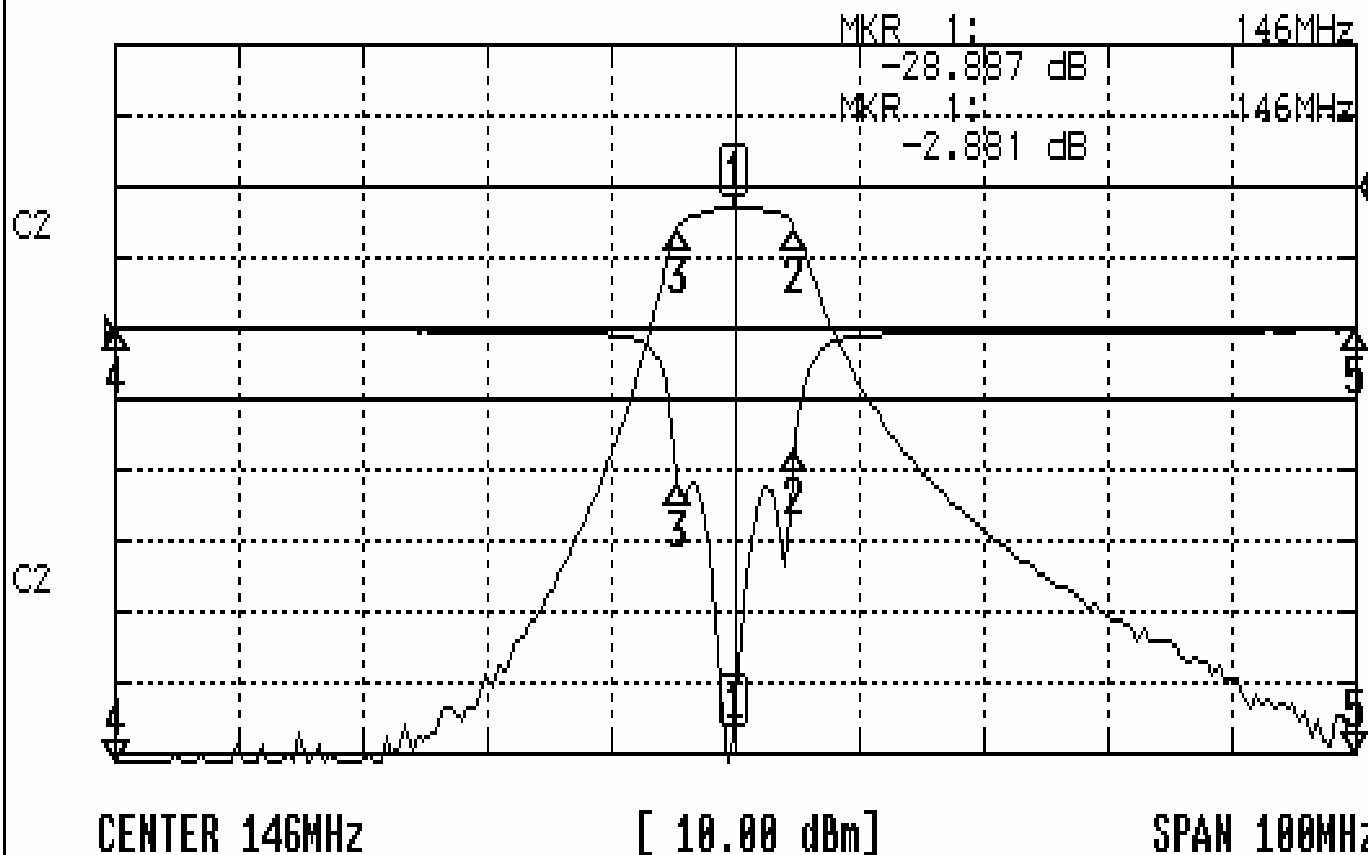


Approval	Supervisor	Designer	Aperture size
C.Y.Chang	C.K.Chang	M.Y.Kang	7H4S(4*7.5)(7.59) 7H024LB4
TEMWELL CORPORATION			

# Performance-TF69281A-146M

## 201803021CD

CH1 S11 LOG MAG REF 0.000 dB 5.000 dB/  
CH2 S21 LOG MAG REF 0.000 dB 10.000 dB/



### CH1 MARKER LIST

Marker	Frequency (MHz)	Value (dB)
1:	146.000	-28.887
2:	150.900	-8.579
3:	141.430	-11.150
4:	96.000	-0.129
5:	196.000	-0.141

### CH2 MARKER LIST

Marker	Frequency (MHz)	Value (dB)
1:	146.000	-2.880
2:	150.900	-8.891
3:	141.430	-11.857
4:	96.000	-1.438
5:	196.000	-75.178