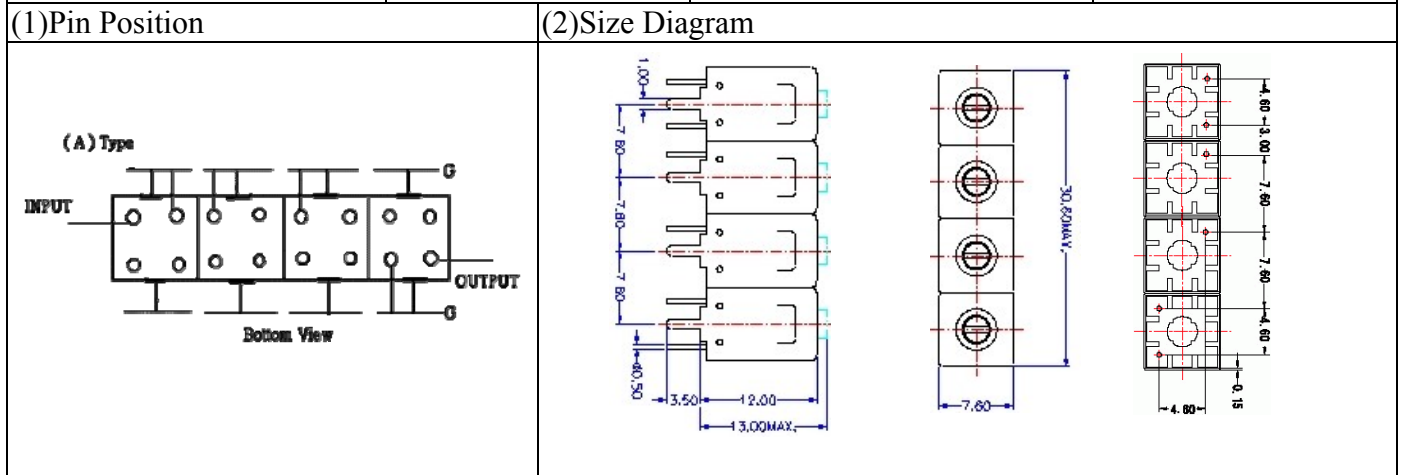


# VHF UHF Helical Filter Specification Sheet

Customer Name		Temwell's Part No.	TF69280A1-107M
Approval No. /dated	0806067CD	Acceptable Fo Specify Range	96~107MHz
Work Instruction No.	0806067CD	Date	Jun.27.2008



(3) Electric Characteristic

Item	Specify	Performance	
Center Freq.(Fo ) +/- 0.5 %	107 MHz	107 MHz	
Insertion Loss	Typ. 4.0 dB	3.25 dB	
-3 dB Bandwidth	Typ. 6 MHz	7.8 MHz	
Sensitivity (Attenuation)	Fo - 10 MHz	Typ. 29 dBc	32 dBc
	Fo + 10 MHz	Typ. 31 dBc	34 dBc
	Fo - ( )MHz	Typ. dBc	dBc
	Fo +( )MHz	Typ. dBc	dBc
Return Loss	Min. 12 dB	20.5 dB	
Ripple	< 1 dB	dB	
Impedance	In / Out : 50 Ω	In / Out : 50 Ω	
(4) Torque for Tuning Screw	> 100gf · cm		

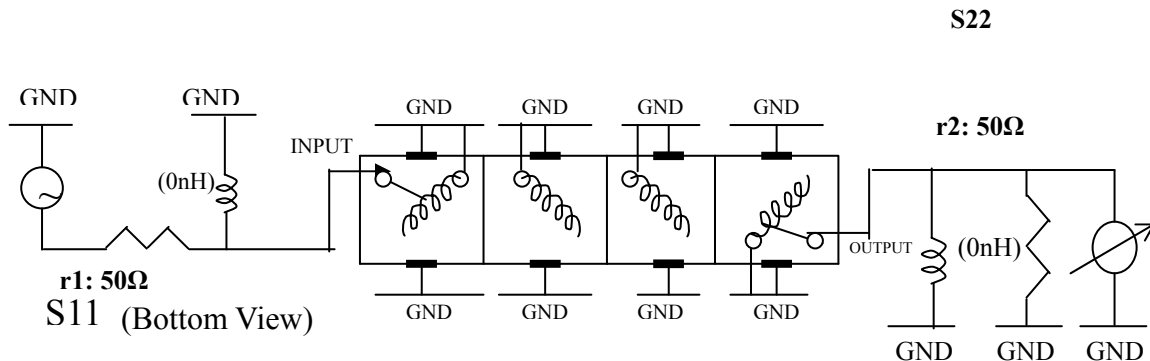
(5) Temperature Condition:

Operating Temperature	0°C ~ +60°C
Storage Temperature	-20°C ~ +70°C

(6) Input Power

> 1Watt

(7) Measuring Circuit: ※Easy to match Impedance S11/S22 50Ω by parallel with about(0 nH) / (0 nH).

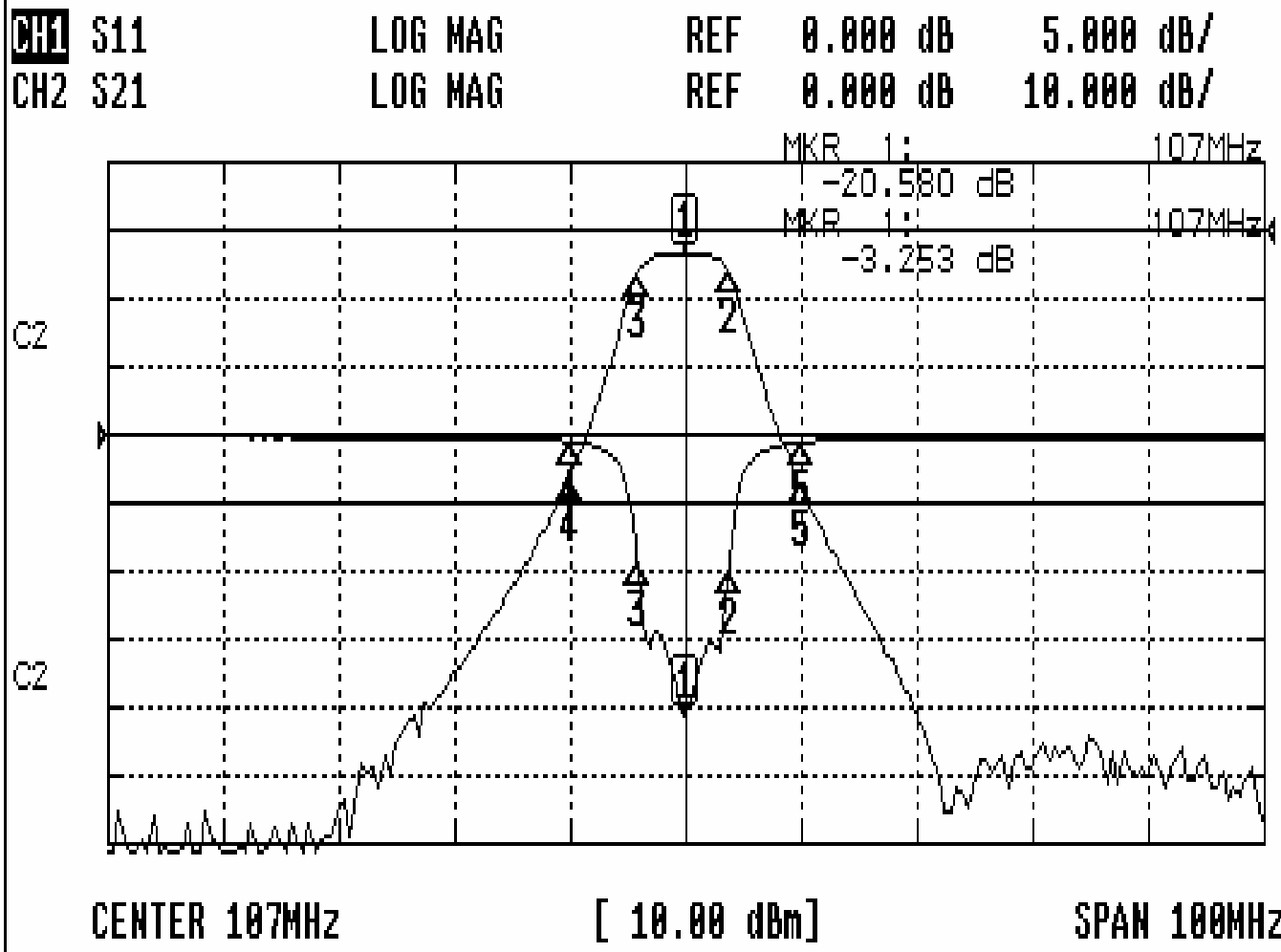


Approval	Supervisor	Designer	Aperture size
C.Y.Chang	C.S.Chang	P.H.Chiang	7H4(4*4.65F) 7H024RB6.5

TEMWELL CORPORATION

# Performance-TF69280A1-107M

## 0806067CD



### CH1 MARKER LIST

1:	107.000MHz	-20.580 dB
2:	110.750MHz	-9.975 dB
3:	102.916MHz	-9.494 dB
4:	97.000MHz	-0.520 dB
5:	117.000MHz	-0.544 dB

### CH2 MARKER LIST

1:	107.000MHz	-3.251 dB
2:	110.750MHz	-6.034 dB
3:	102.916MHz	-6.111 dB
4:	97.000MHz	-6.190 dB
5:	117.000MHz	-7.252 dB