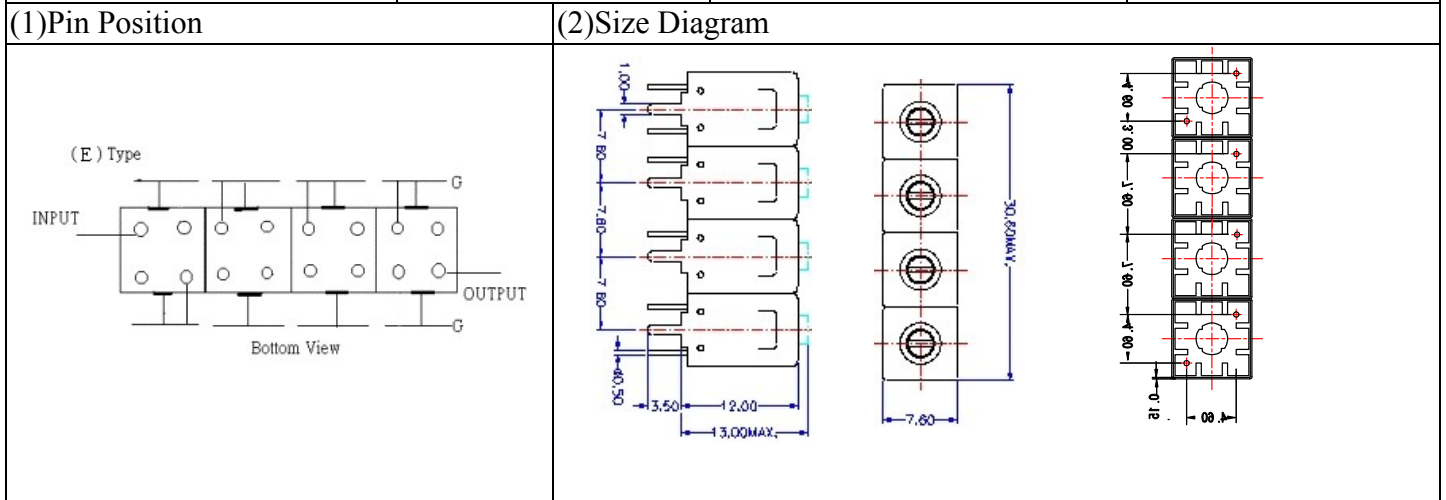


-VHF UHF Helical Filter Specification Sheet

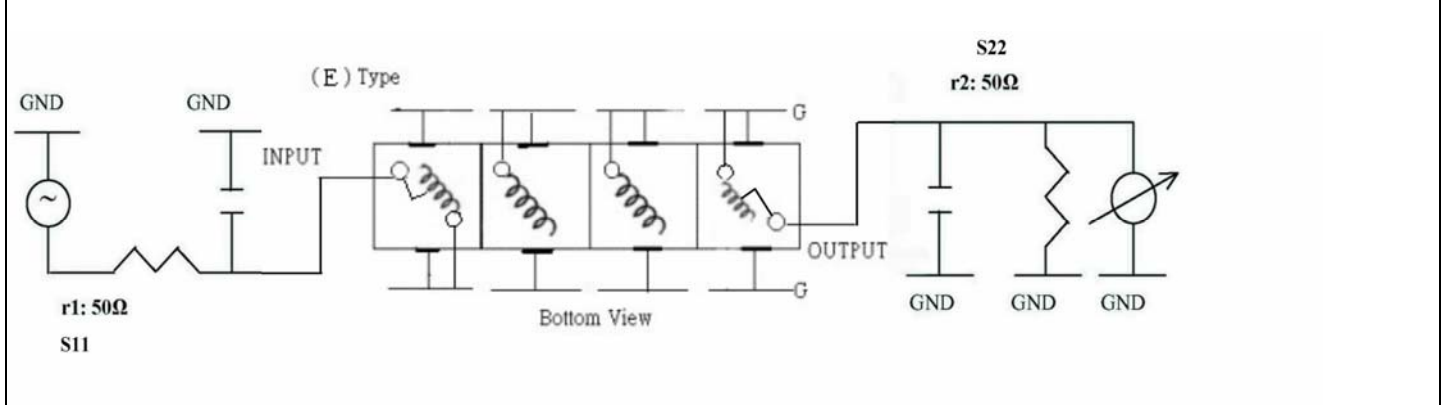
Customer Name		Temwell's Part No.	TF69275E2-390M
Approval No. /dated	201702035CD	Temwell's Print name	69275E2 390M
Work Instruction No.	201702035CD	Date	Mar.03.2017



(3) Electric Characteristic			
Item	Specify	Performance	
Center Freq.(Fo) +/- 0.5 %	390 MHz	390	MHz
Insertion Loss	Typ. 3.5 dB	2.75	dB
-3 dB Bandwidth	Typ. 9 MHz	15.0	MHz
Sensitivity (Attenuation)	Fo - 30 MHz	Typ. 36	dBc
	Fo + 30 MHz	Typ. 39	dBc
	Fo - ()MHz	Typ.	dBc
	Fo +()MHz	Typ.	dBc
Return Loss	Min. 12 dB	21.7	dB
Ripple	< 1 dB		dB
Impedance	In / Out : 50 Ω	In / Out : 50 Ω	
(4) Torque for Tuning Screw	> 60gf · cm		

(5) Temperature Condition:	
Operating Temperature	0°C ~ +60°C
Storage Temperature	-20°C ~ +70°C
(6) Input Power	> 1Watt

(7) Measuring Circuit: ※Easy to match Impedance S11/S22 50Ω by parallel with about(- -)



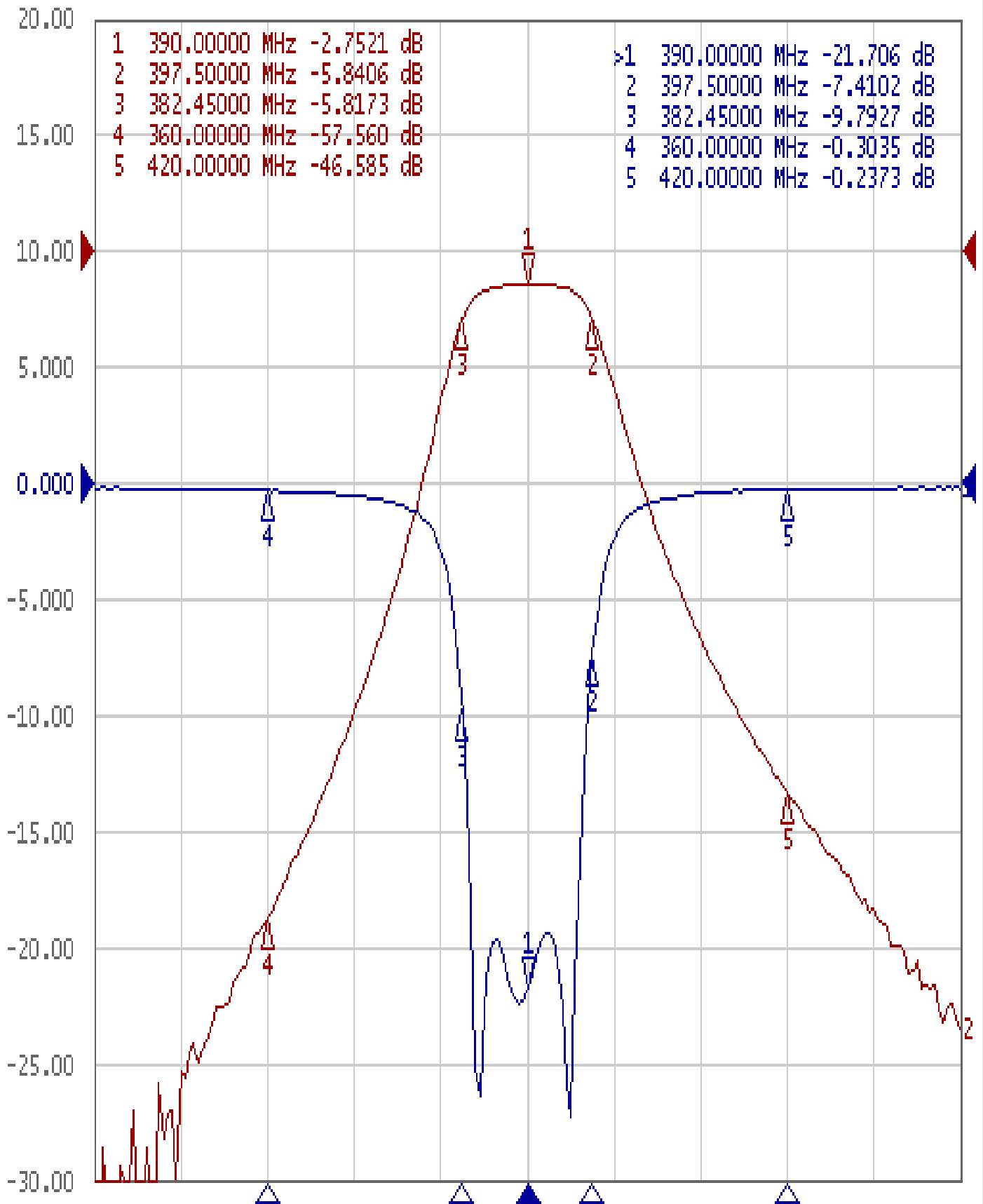
Approval C.Y.Chang	Supervisor C.K.Chang	Designer W.W.Wang	Aperture size 7H4S(4*6.35)(6.39) 7H046LB4.3 聚 3
-----------------------	-------------------------	----------------------	---

TEMWELL CORPORATION

Performance-TF69275E2-390M

201702035CD

Tr1 S11 Log Mag 5.000dB/ Ref 0.000dB [F2]
Tr2 S21 Log Mag 10.00dB/ Ref 0.000dB [F2]



1 Center 390 MHz

IFBW 70 kHz

Span 100 MHz Cor !