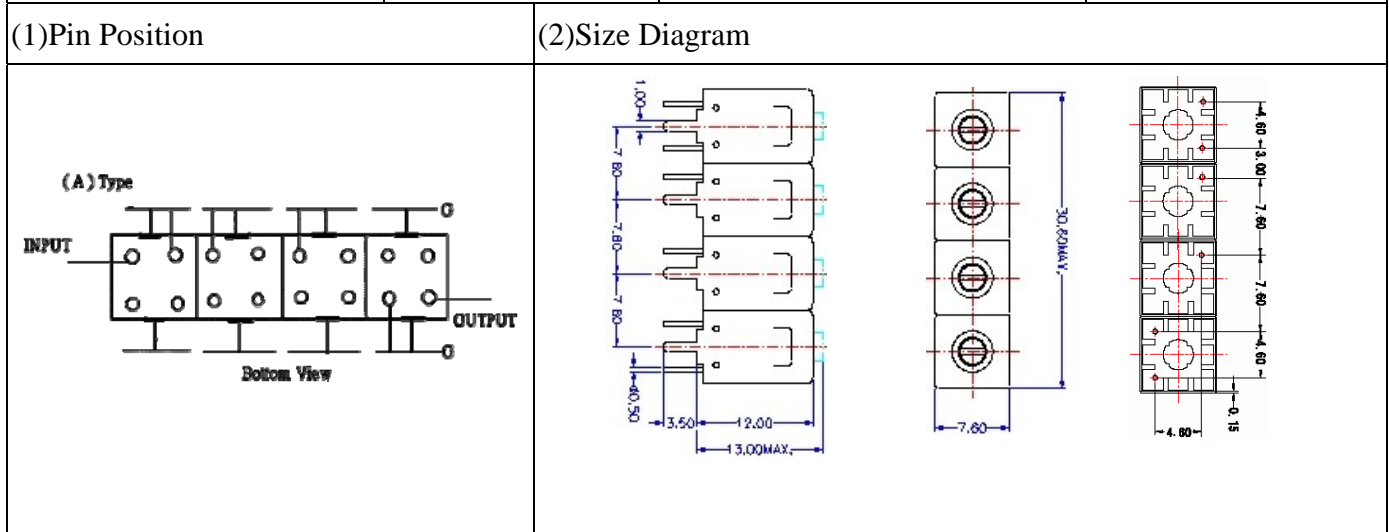


VHF UHF Helical Filter Specification Sheet

Customer Name		Temwell's Part No.	TF69263A-895.5M
Approval No. /dated	2005027B	Acceptable Specify Fo. Range	861~900MHz
Work Instruction No.	2005027B	Date	June.05.2000



(3) Electric Character

Item	Specify	Performance	
Center Freq.(Fo) +/- 0.5 %	895.5 MHz	895.5 MHz	
Insertion Loss	Typ. 3.5 dB	2.33 dB	
-3 dB Bandwidth	Typ. 40 MHz	45.5 MHz	
Sensitivity (Attenuation)	Fo - 100 MHz	Typ. 70 dBc	73 dBc
	Fo + 100 MHz	Typ. 44 dBc	47 dBc
	Fo - ()MHz	Typ. dBc	dBc
	Fo +()MHz	Typ. dBc	dBc
Return Loss	Min. 12 dB	20.3 dB	
Ripple	< 1 dB	dB	
Impedance	In / Out : 50 Ω	In / Out : 50 Ω	

(4) Torque for Tuning Screw > 100gf • cm

(5) Temperature Condition:

Operating Temperature	0°C ~ +60°C
Storage Temperature	-20°C ~ +70°C

(6) Input Power > 1Watt

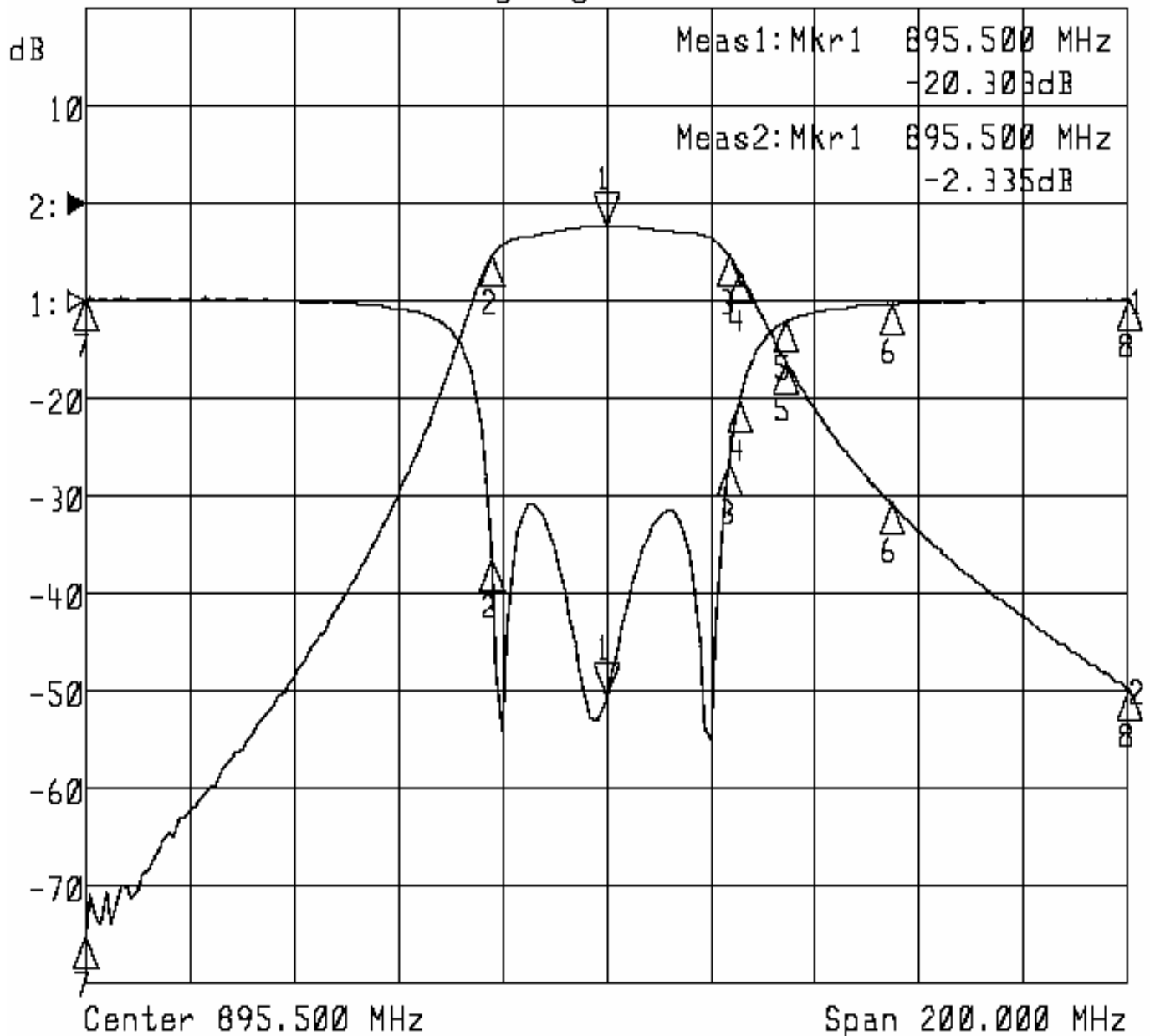
Approval	Supervisor	Designer	Aperture size
C.Y.Chang	C.S.Chang	C.S.Chang	7H4S(4*6.5) 7H046LB4

TEMWELL CORPORATION

Performance-TF69263A-895.5M

2005027B

▶1:S11 Refl Port1 Log Mag 5.0 dB/ Ref 0.00 dB C
▶2:S21 Fwd Trans Log Mag 10.0 dB/ Ref 0.00 dB C



1:Mkr (MHz)	dB	2:Mkr (MHz)	dB
1> 895.5000	-20.303	1> 895.5000	-2.335
2: 873.5667	-13.204	2: 873.5667	-5.333
3: 919.0333	-8.322	3: 919.0333	-5.283
4: 921.0000	-5.163	4: 921.0000	-6.988
5: 930.0000	-1.056	5: 930.0000	-16.226
6: 950.0000	-0.177	6: 950.0000	-30.717
7: 795.5000	0.064	7: 795.5000	-75.253
8: 995.5000	0.072	8: 995.5000	-49.797