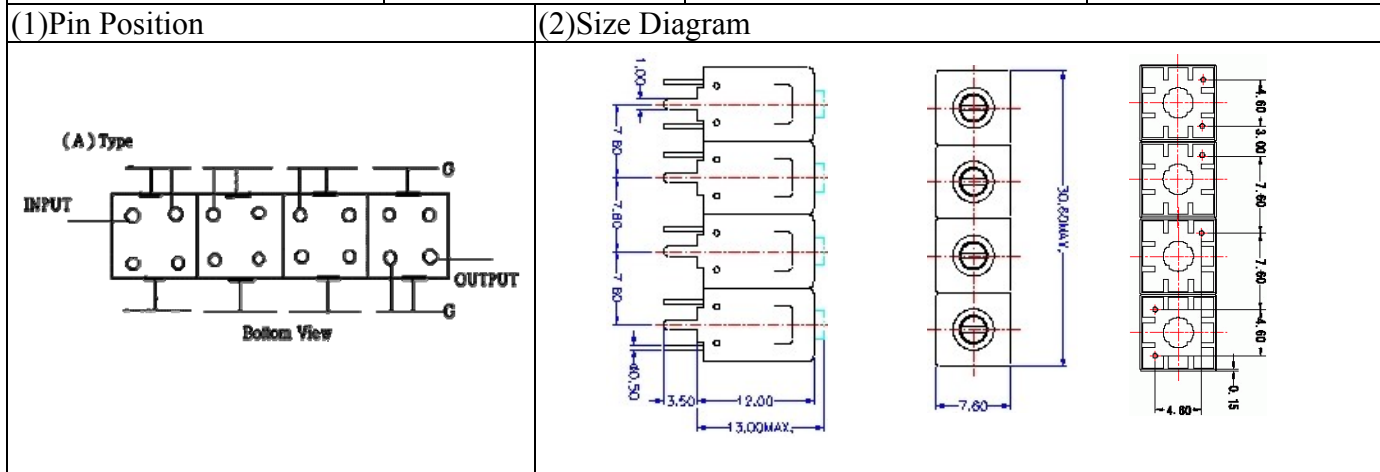


# VHF UHF Helical Filter Specification Sheet

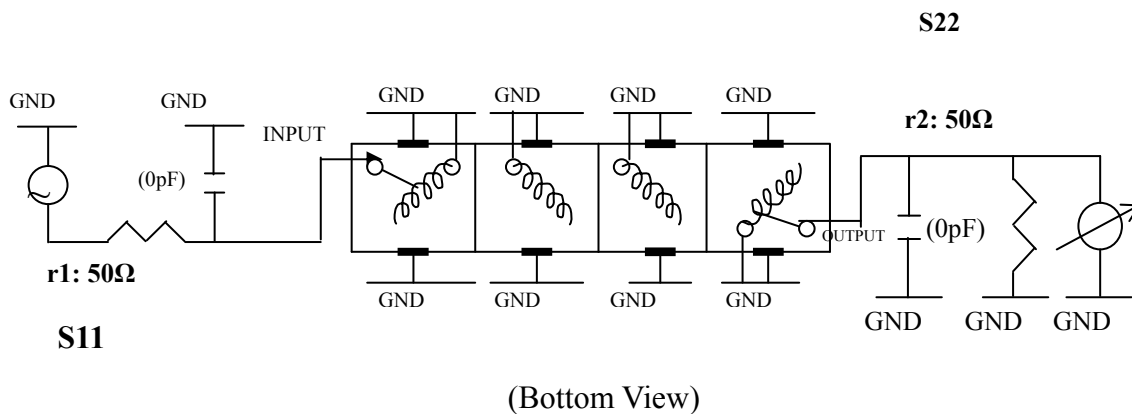
Customer Name		Temwell's Part No.	TF69261A-850M
Approval No. /dated	0901094CD	Temwell's Print Name	69261A 850M
Work Instruction No.	200901094CD	Date	Feb.23.2009



(3) Electric Characteristic

Item	Specify	Performance	
Center Freq.(Fo) +/- 0.5 %	850 MHz	850 MHz	
Insertion Loss	Typ. 3.5 dB	2.12 dB	
-3 dB Bandwidth	Typ. 30 MHz	36.5 MHz	
Sensitivity (Attenuation)	Fo - 50 MHz	Typ. 40 dBc	43 dBc
	Fo + 50 MHz	Typ. 30 dBc	33 dBc
	Fo - ( )MHz	Typ. dBc	dBc
	Fo +( )MHz	Typ. dBc	dBc
Return Loss	Min. 12 dB	23.8 dB	
Ripple	< 1 dB	dB	
Impedance	In / Out : 50 Ω	In / Out : 50 Ω	
(4) Torque for Tuning Screw	> 100gf · cm		
(5) Temperature Condition:			
Operating Temperature	0°C ~ +60°C		
Storage Temperature	-20°C ~ +70°C		
(6) Input Power	> 1Watt		

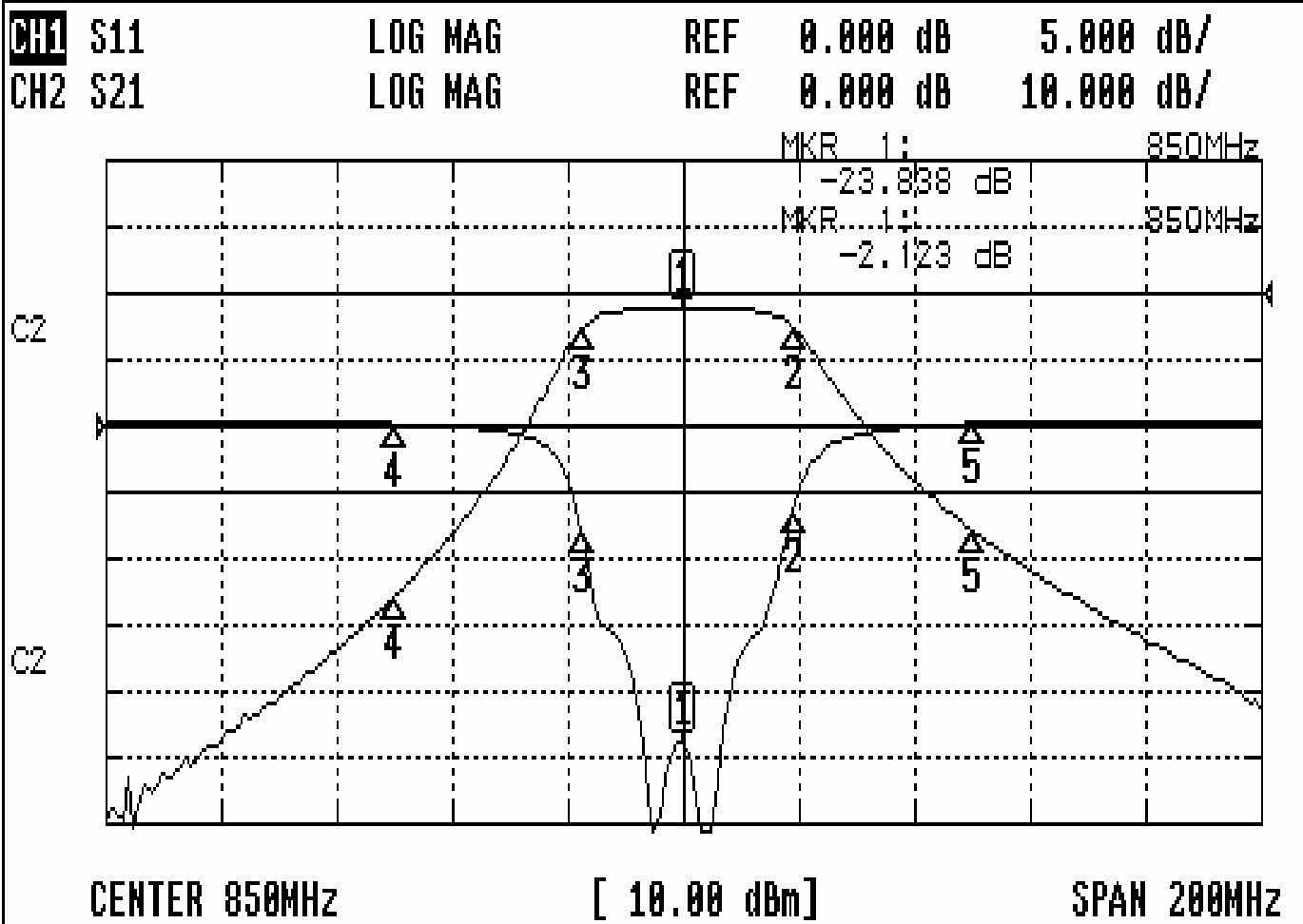
(7) Measuring Circuit: ※Easy to match Impedance S11/S22 /50Ω by parallel with about(0pF) / (0pF).



Approval	Supervisor	Designer	Aperture size
C.Y.Chang	C.S.Chang	W.W.Wang	7H4(4*6.5F)(6.56) (7H046RB4)
TEMWELL CORPORATION			

# Performance-TF69261A-850M

## 200901094CD



### CH1 MARKER LIST

1	850.000MHz	-23.838	dB
2	869.000MHz	-1.354	dB
3	832.500MHz	-0.107	dB
4	800.000MHz	0.146	dB
5	900.000MHz	0.171	dB

### CH2 MARKER LIST

1	850.000MHz	-2.124	dB
2	869.000MHz	-1.167	dB
3	832.500MHz	-1.198	dB
4	800.000MHz	-4.600	dB
5	900.000MHz	-35.681	dB