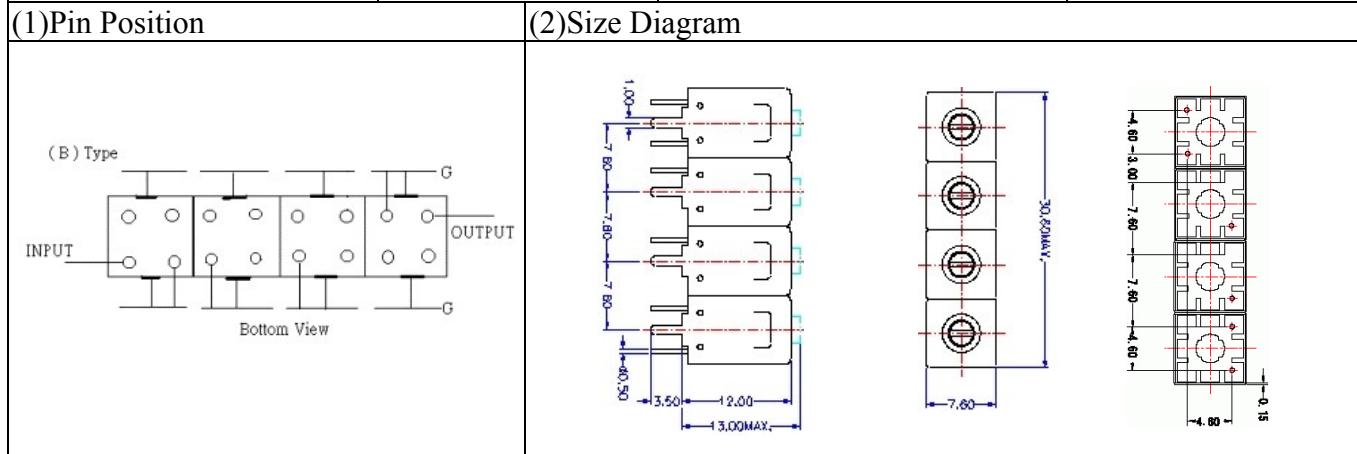


VHF UHF Helical Filter Specification Sheet

Customer Name		Temwell's Part No.	TF69256B-430M
Approval No. /dated	20506057APR	Acceptable Specify Fo Range.	401~455MHz
Work Instruction No.	20506057B	Date	Jun.01.2005



(3) Electric Characteristic

Item	Specify	Performance	
Center Freq.(Fo) +/- 0.5 %	430 MHz	430 MHz	
Insertion Loss	Typ. 2.5 dB	1.37 dB	
-3 dB Bandwidth	Typ. 43 MHz	45.5 MHz	
Sensitivity (Attenuation)	Fo -50 MHz	Typ. 38 dBc	41 dBc
	Fo +50 MHz	Typ. 22 dBc	25 dBc
	Fo () MHz	Typ. dBc	dBc
	Fo () MHz	Typ. dBc	dBc
Return Loss	Min. 12 dB	35.1 dB	
Ripple	< 1 dB	dB	
Impedance	In / Out : 50 Ω	In / Out : 50 Ω	

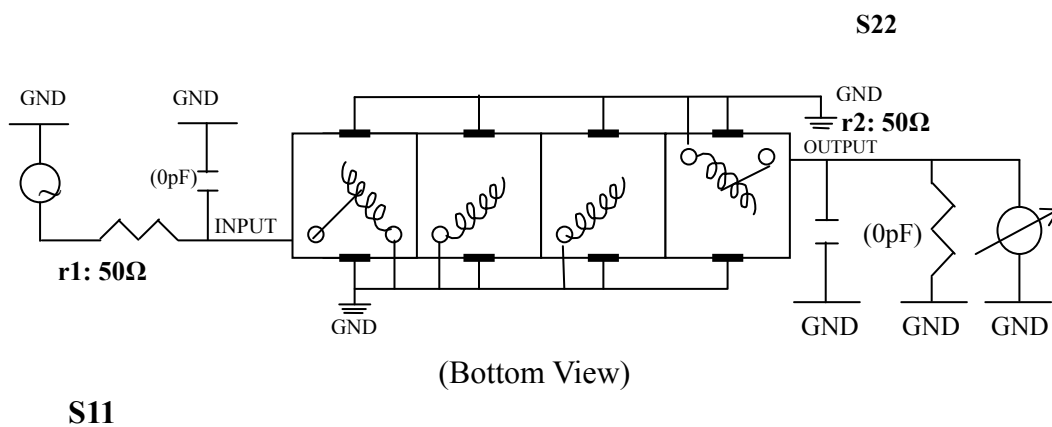
(4) Torque for Tuning Screw > 100gf · cm

(5) Temperature Condition:

Operating Temperature	0°C ~ +60°C
Storage Temperature	-20°C ~ +70°C

(6) Input Power > 1Watt

(7) Measuring Circuit: ※Easy to match Impedance S11/S22 50Ω/0 by parallel with about(0 pF) / (0.pF).



Approval	Supervisor	Designer	Aperture size
C.Y.Chang	C.S.Chang	P.H.Chiang	7H4(4*8.0)-(7.99) 7H046LB5

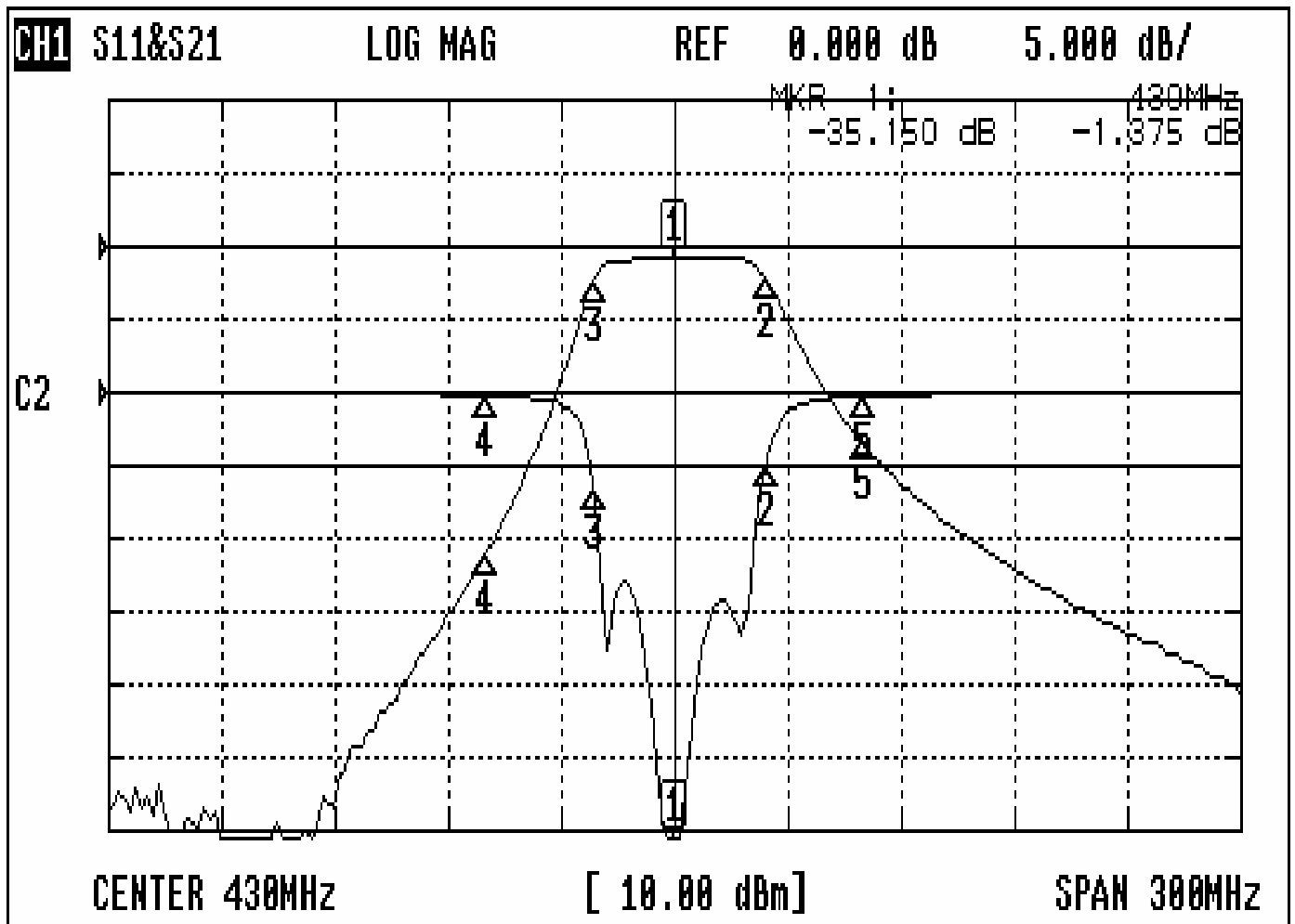
TEMWELL CORPORATION

TEMWELL

Form10-7H4B Vision D

Performance-TF69256B-430M

20506057B



CH1 MARKER LIST

1:	430.000MHz	-35.150 dB	-1.375 dB
2:	454.250MHz	-5.038 dB	-4.357 dB
3:	408.750MHz	-6.665 dB	-4.467 dB
4:	380.000MHz	-0.213 dB	-42.197 dB
5:	480.000MHz	-0.233 dB	-26.846 dB
6:			
7:			
8:			
9:			
10:			