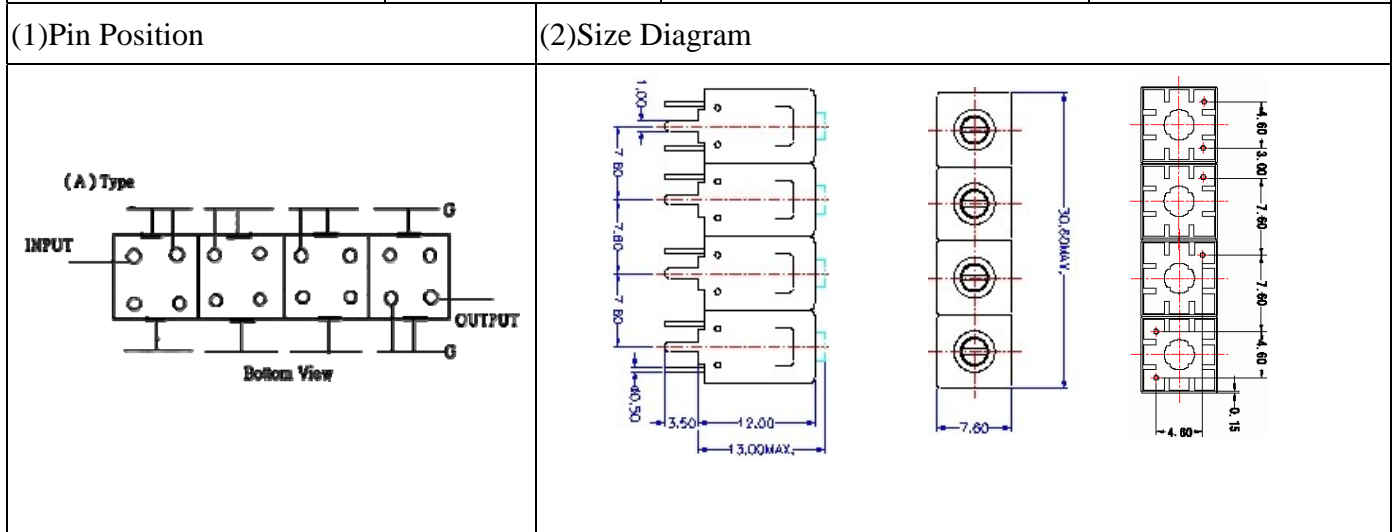


VHF UHF Helical Filter Specification Sheet

Customer Name		Temwell's Part No.	TF69248A-915M
Approval No. /dated	980718D	Acceptable Specify Fo. Range	901~930MHz
Work Instruction No.	980718D	Date	July.20.1998



(3) Electric Character

Item	Specify	Performance	
Center Freq.(Fo) +/- 0.5 %	915 MHz	915 MHz	
Insertion Loss	Typ. 5.5 dB	4.18 dB	
-3 dB Bandwidth	Typ. 15 MHz	21.8 MHz	
Sensitivity (Attenuation)	Fo - 50 MHz	Typ. 58 dBc	61 dBc
	Fo + 50 MHz	Typ. 45 dBc	48 dBc
	Fo - ()MHz	Typ. dBc	dBc
	Fo +()MHz	Typ. dBc	dBc
Return Loss	Min. 12 dB	13.8 dB	
Ripple	< 1 dB	dB	
Impedance	In / Out : 50 Ω	In / Out : 50 Ω	

(4) Torque for Tuning Screw > 100gf • cm

(5) Temperature Condition:

Operating Temperature	0°C ~ +60°C
Storage Temperature	-20°C ~ +70°C

(6) Input Power > 1Watt

Approval	Supervisor	Designer	Aperture size
C.Y.Chang	C.S.Chang	C.S.Chang	7H4S(4*4.5) 7H046LB4 聚 3

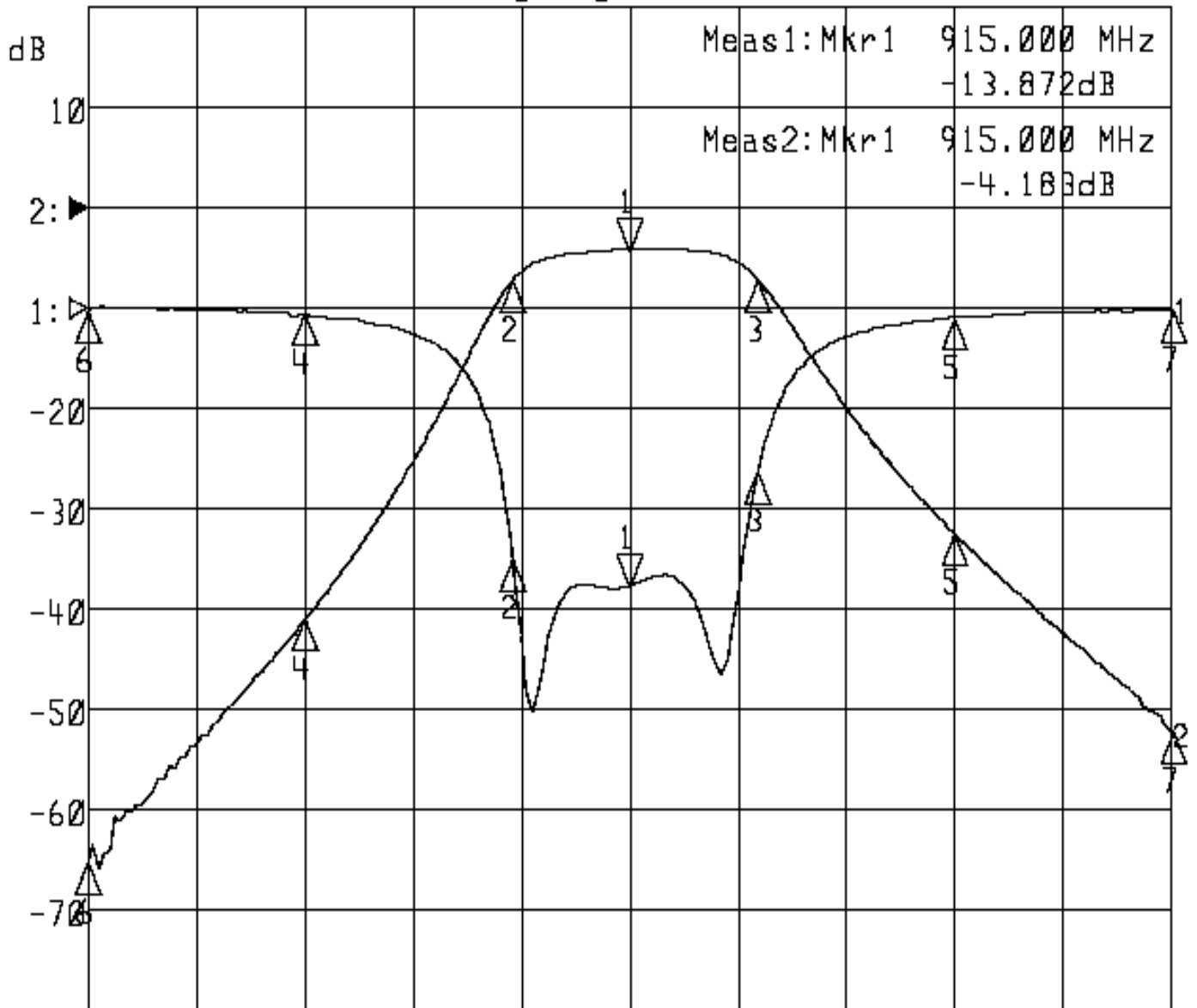
TEMWELL CORPORATION

Performance-TF69248A-915M

980718D

►1:S11 Refl Port1 Log Mag 5.0 dB/ Ref 0.00 dB C

►2:S21 Fwd Trans Log Mag 10.0 dB/ Ref 0.00 dB C



Center 915.000 MHz

Span 100.000 MHz

1: Mkr (MHz)	dB	2: Mkr (MHz)	dB
1> 915.0000	-13.872	1> 915.0000	-4.183
2: 904.2667	-12.514	2: 904.2667	-7.148
3: 926.8333	-8.184	3: 926.8333	-7.130
4: 885.0000	-0.272	4: 885.0000	-41.110
5: 945.0000	-0.481	5: 945.0000	-32.418
6: 865.0000	-0.074	6: 865.0000	-65.230
7: 965.0000	-0.125	7: 965.0000	-52.333