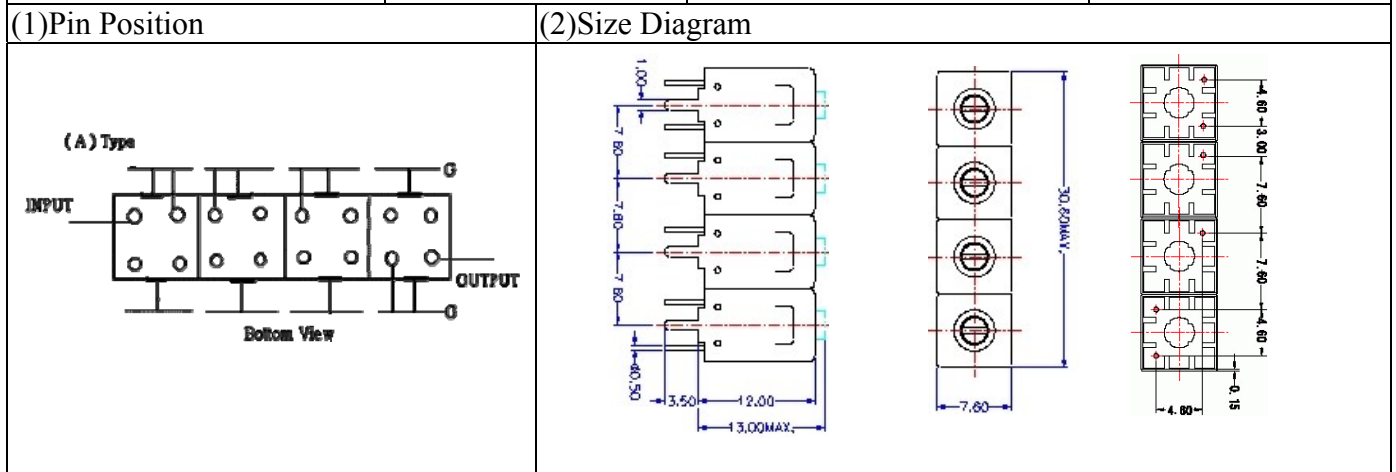


# VHF UHF Helical Filter Specification Sheet

Customer Name		Temwell's Part No.	TF69245A-845M
Approval No. /dated	0902036CD	Temwell's Print Name	69245A 845M
Work Instruction No.	200902036CD	Date	Mar.26.2009



### (3) Electric Characteristic

Item	Specify	Performance	
Center Freq.(Fo) +/- 0.5 %	845 MHz	845 MHz	
Insertion Loss	Typ. 3.5 dB	2.51 dB	
-3 dB Bandwidth	Typ. 28 MHz	32.8 MHz	
Sensitivity (Attenuation)	Fo - 50 MHz	Typ. 48 dBc	51 dBc
	Fo + 50 MHz	Typ. 35 dBc	38 dBc
	Fo - ( )MHz	Typ. dBc	dBc
	Fo +( )MHz	Typ. dBc	dBc
Return Loss	Min. 12 dB	23.6 dB	
Ripple	< 1 dB	dB	
Impedance	In / Out : 50 Ω	In / Out : 50 Ω	

(4) Torque for Tuning Screw > 100gf · cm

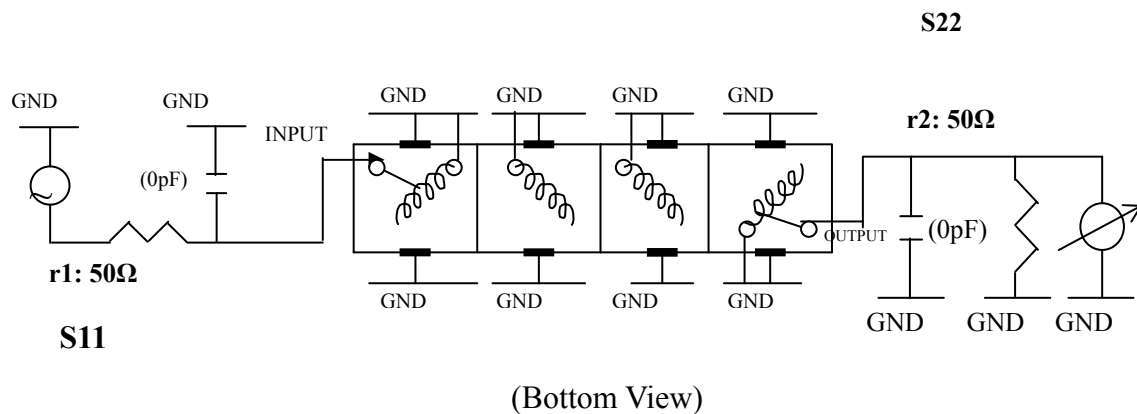
(5) Temperature Condition:

Operating Temperature 0°C ~ +60°C

Storage Temperature -20°C ~ +70°C

(6) Input Power > 1Watt

(7) Measuring Circuit: ※Easy to match Impedance S11/S22 /50Ω by parallel with about(0pF) / (0pF).



Approval	Supervisor	Designer	Aperture size
C.Y.Chang	C.K.Chang	C.S.Chang	7H4(4*5.5F)(5.58) (7H046LB4.3 聚 3)

TEMWELL CORPORATION

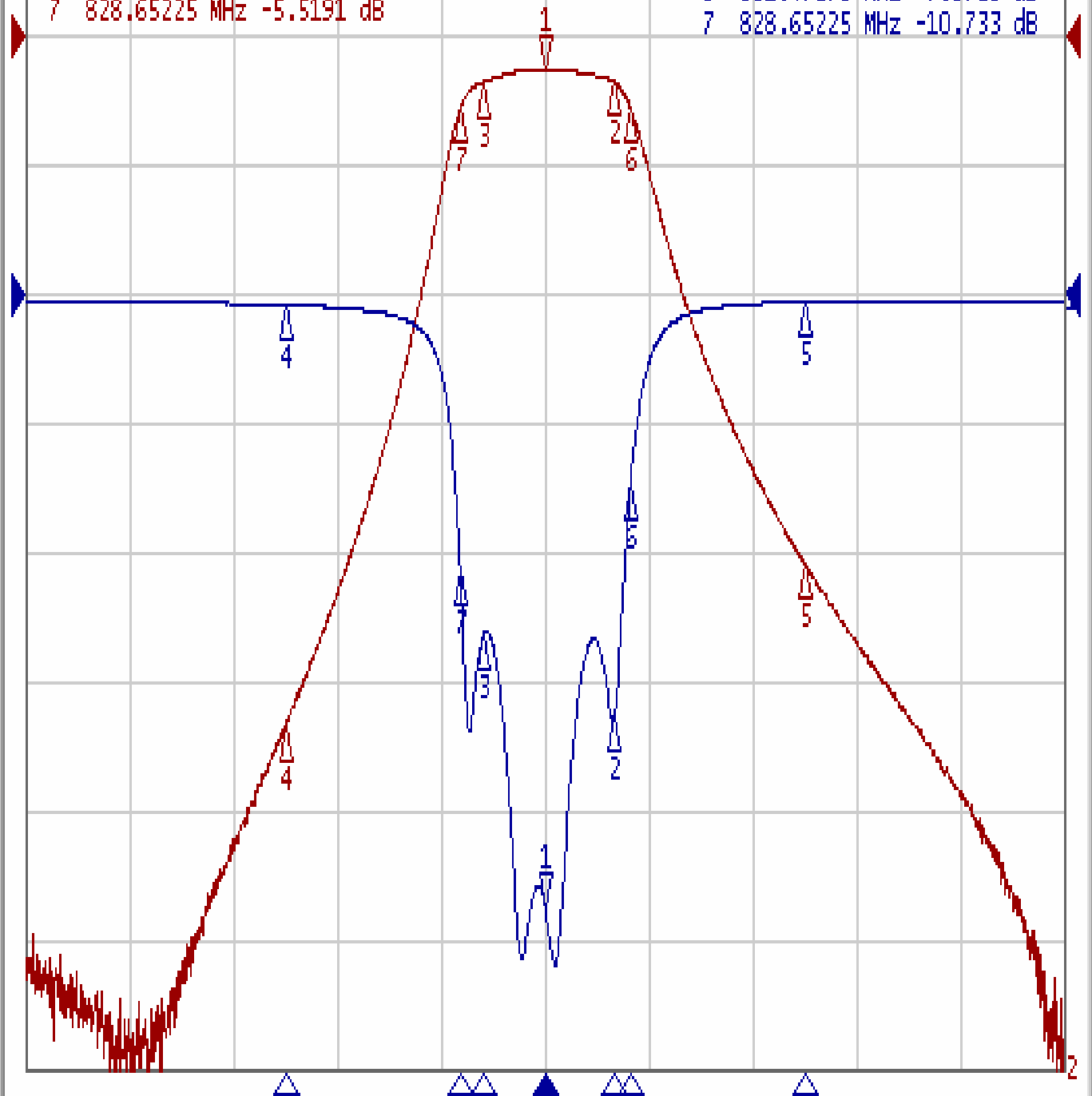
# Performance-TF69245A-845M

## 200902036CD

Tr1 511 Log Mag 5.000dB/ Ref 0.000dB [F3]  
Tr2 521 Log Mag 10.00dB/ Ref 0.000dB [F3]

1	845.00000 MHz	-2.5131 dB
2	858.27075 MHz	-3.4552 dB
3	833.05500 MHz	-3.4938 dB
4	795.00000 MHz	-53.591 dB
5	895.00000 MHz	-40.775 dB
6	861.47275 MHz	-5.5076 dB
7	828.65225 MHz	-5.5191 dB

>1	845.00000 MHz	-23.669 dB
2	858.27075 MHz	-16.409 dB
3	833.05500 MHz	-13.227 dB
4	795.00000 MHz	-0.3764 dB
5	895.00000 MHz	-0.2599 dB
6	861.47275 MHz	-7.3720 dB
7	828.65225 MHz	-10.733 dB



1 Center 845 MHz

IFBW 10 kHz

Span 200 MHz

