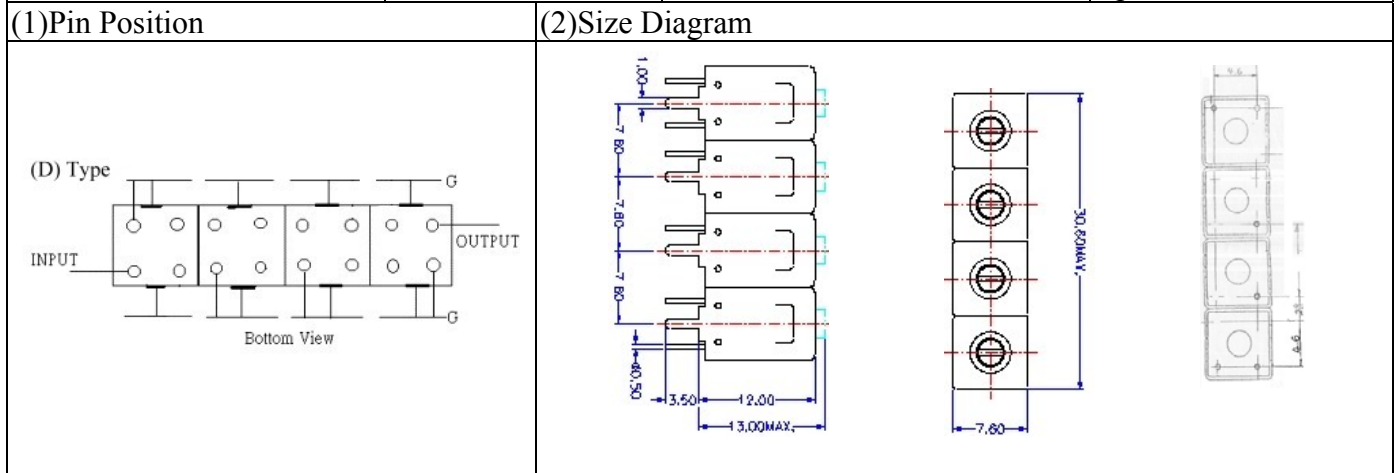


# VHF UHF Helical Filter Specification Sheet

Customer Name		Temwell's Part No.	TF69242D-700M
Approval No. /dated	20504031B	Acceptable Specify Fo. Range	661~700M
Work Instruction No.	20504031B	Date	Apr.27.2005



**(3) Electric Charasteric**

Item	Specify	Performance	
Center Freq.(Fo ) +/- 0.5 %	700 MHz	700 MHz	
Insertion Loss	Typ. 4.5 dB	3.64 dB	
-3 dB Bandwidth	Typ. 14 MHz	17 MHz	
Sensitivity (Attenuation )	Fo - 50 MHz	Typ. 63 dBc	66 dBc
	Fo +50 MHz	Typ. 50 dBc	53 dBc
	Fo - ( ) MHz	Typ. dBc	dBc
	Fo + ( ) MHz	Typ. dBc	dBc
Return Loss	Min. 12 dB	21.0 dB	
Ripple	< 1 dB	dB	
Impedance	In / Out : 50 Ω	In / Out : 50 Ω	

**(4) Torque for Tuning Screw**

> 100gf • cm

**(5) Temperature Condition:**

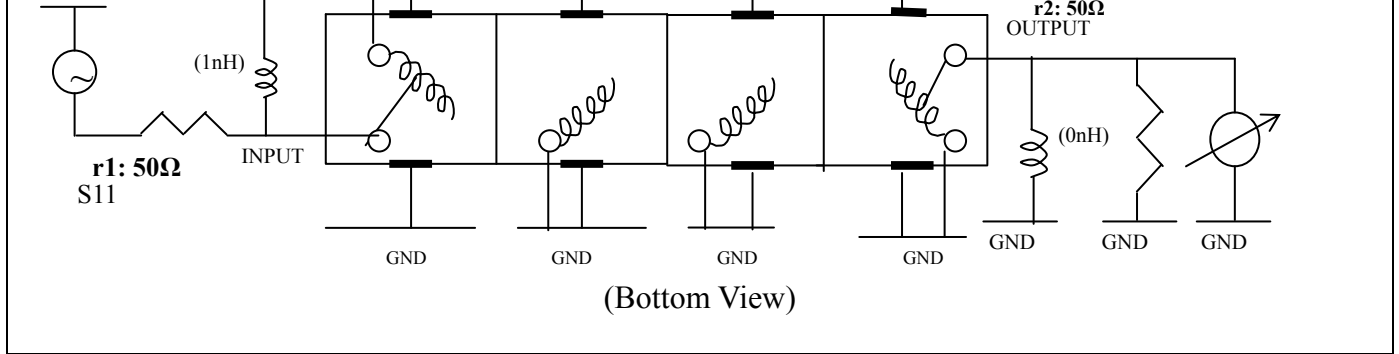
Operating Temperature: 0°C ~ +60°C

Storage Temperature: -20°C ~ +70°C

**(6) Input Power**

> 1Watt

**(7) Measuring Circuit: ※Easy to match Impedance S11/S22 50Ω/ by parallel with about( 0~1 nH) / (0 nH).**

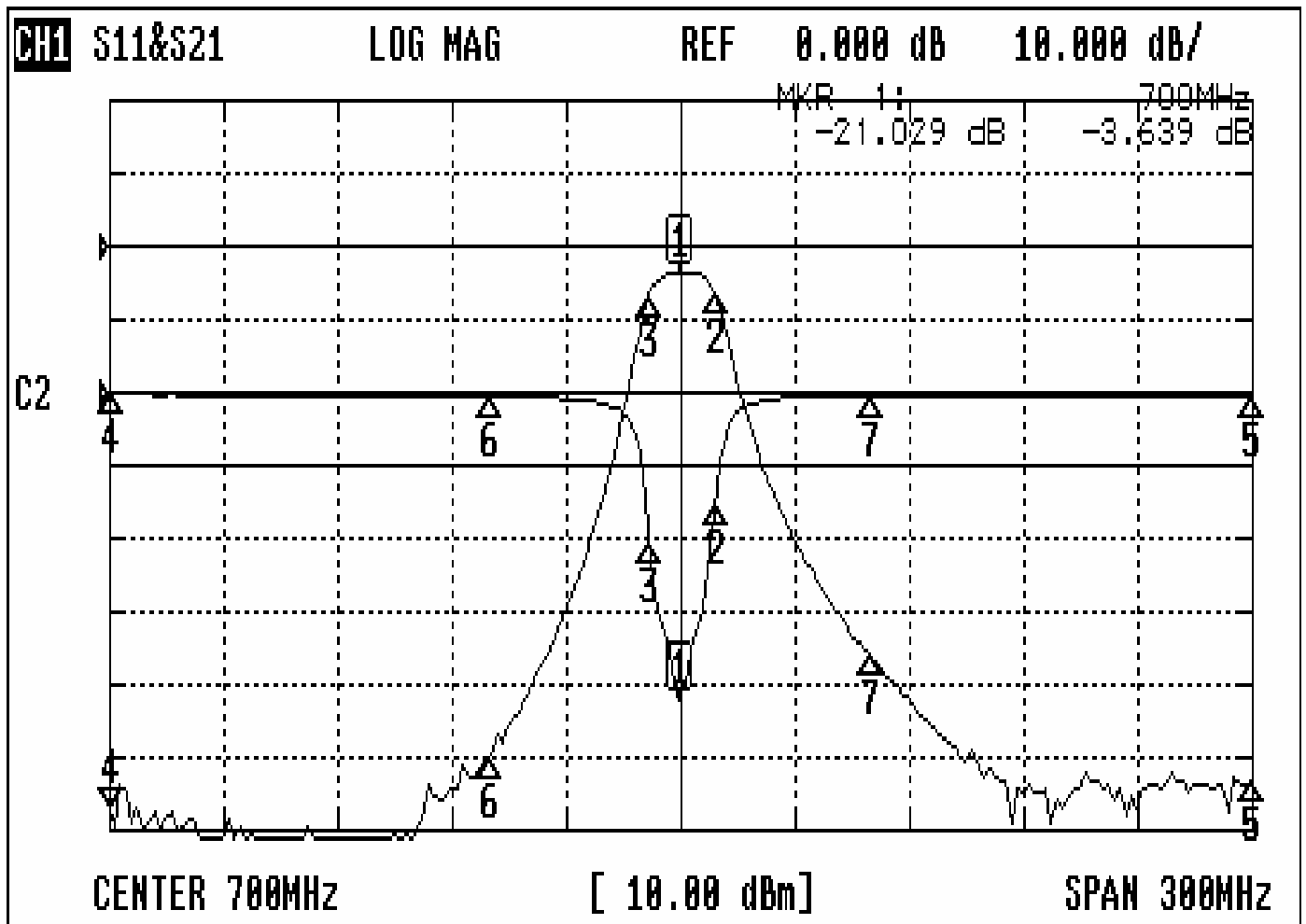


Approval	Supervisor	Designer	Aperture size
C.Y. Chang	C.S.Chang	P.H.Chiang	7H4(4*4.65)(4.69) 7H046LB4 聚 3

TEMWELL CORPORATION

# Performance-TF69242D-700M

## 20504031B



### CH1 MARKER LIST

1:	700.000MHz	-21.029 dB	-3.642 dB
2:	709.250MHz	-7.530 dB	-6.536 dB
3:	692.000MHz	-10.147 dB	-6.491 dB
4:	550.000MHz	-0.123 dB	-76.793 dB
5:	850.000MHz	-0.210 dB	-72.957 dB
6:	650.000MHz	-0.246 dB	-69.427 dB
7:	750.000MHz	-0.210 dB	-56.125 dB
8:			
9:			
10:			