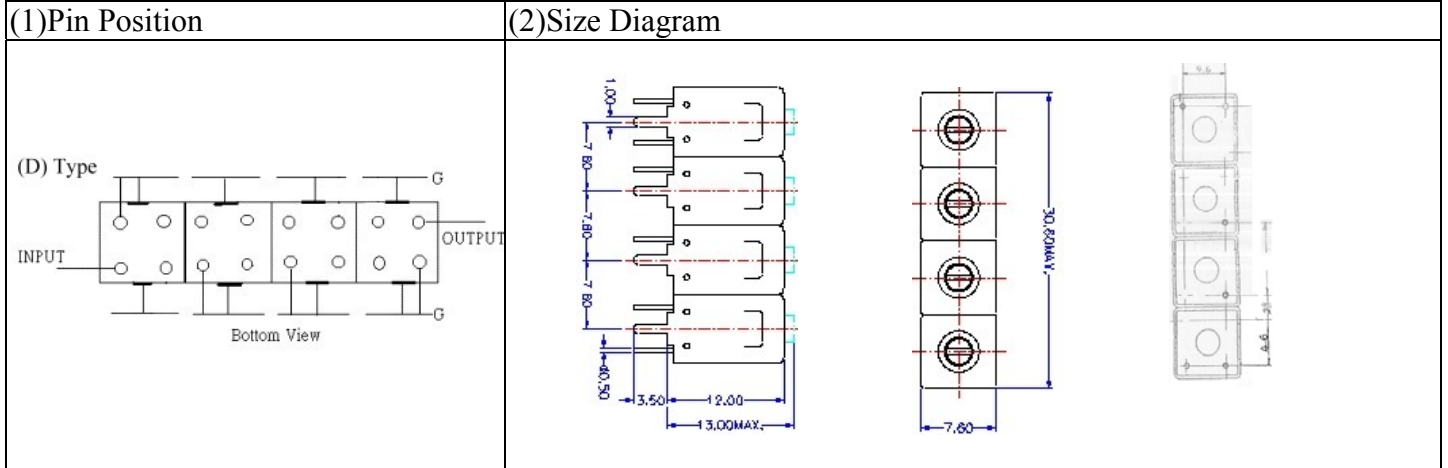


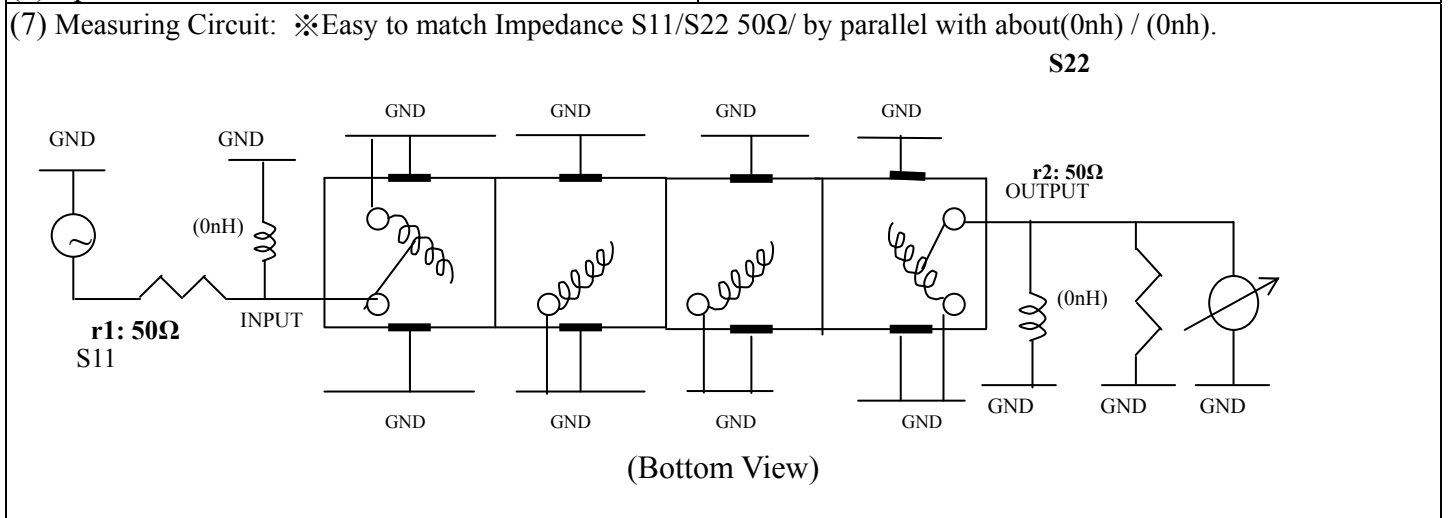
# VHF UHF Helical Filter Specification Sheet

Customer Name		Temwell's Part No.	TF6921D-154M
Approval No. /dated	0512096APR	Acceptable Fo Specify Range	146~165MHz
Work Instruction No.	0512096DB	Date	Dec.21.2005



(3) Electric Character			
Item	Specify	Performance	
Center Freq. (Fo) +/- 0.5 %	154 MHz	154 MHz	
Insertion Loss	Typ. 7.0 dB	5.78 dB	
-3 dB Bandwidth	Typ. 3 MHz	4.8 MHz	
Sensitivity (Attenuation)	Fo - 10 MHz	Typ. 47 dBc	50 dBc
	Fo + 10 MHz	Typ. 37 dBc	40 dBc
	Fo - ( )MHz	Typ. dBc	dBc
	Fo +( )MHz	Typ. dBc	dBc
Return Loss	Min. 12 dB	19.8 dB	
Ripple	< 1 dB		
Impedance	In / Out: 50 Ω	In / Out: 50 Ω	

(4) Torque for Tuning Screw		> 100gf · cm
(5) Temperature Condition:		
Operating Temperature	0°C ~ +60°C	
Storage Temperature	-20°C ~ +70°C	
(6) Input Power	> 1Watt	

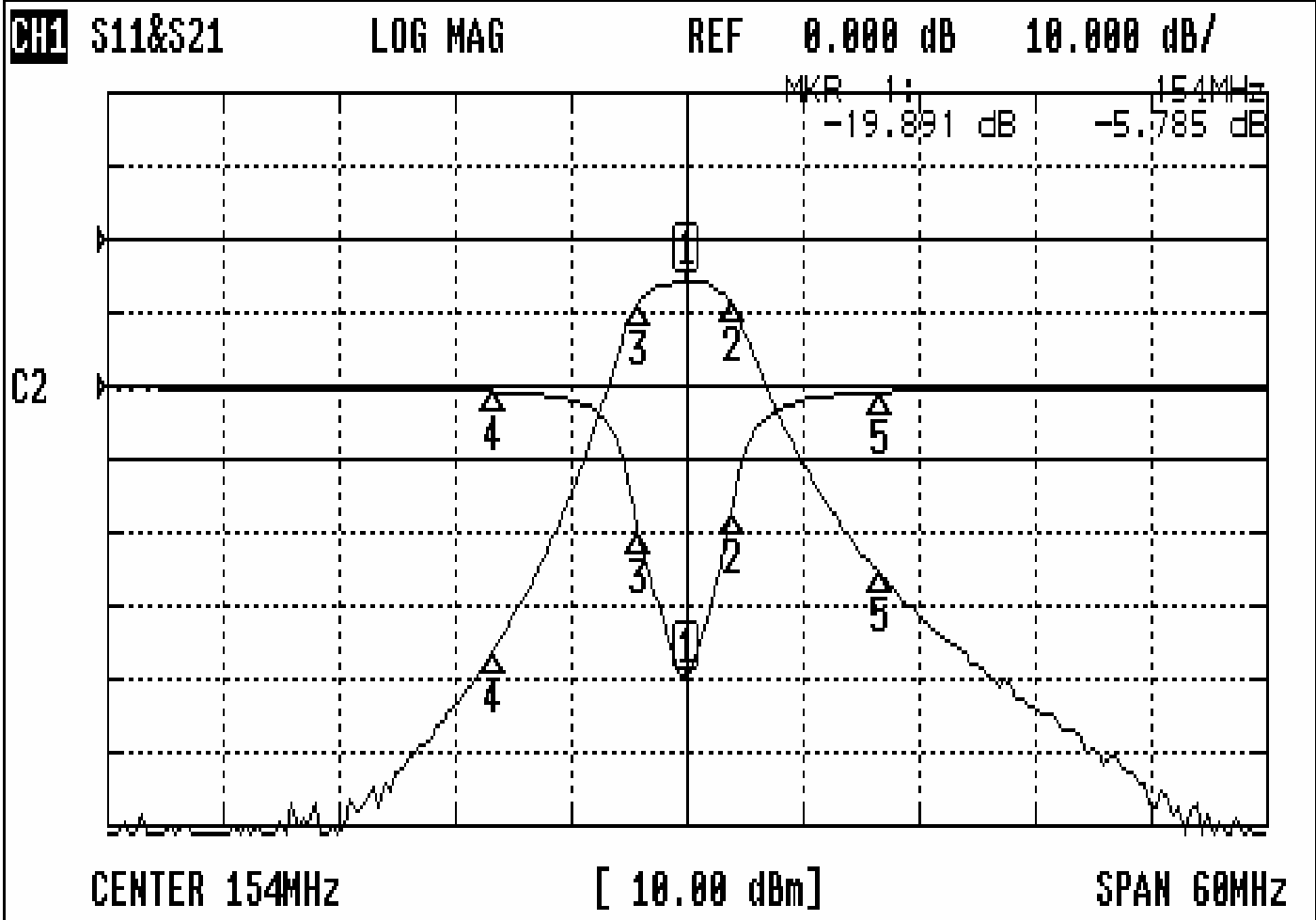


Approval	Supervisor	Designer	Aperture size
Y.S. Chang	C.S. Chang	P.H. Chiang	7H4(4*5.5)(5.59) 7H024RB4

TEMWELL CORPORATION

# Performance-TF6921D-154M

## 0512096DB



### CH1 MARKER LIST

1:	154.000MHz	-19.891 dB	-5.785 dB
2:	156.300MHz	-8.553 dB	-8.791 dB
3:	151.550MHz	-10.226 dB	-8.676 dB
4:	144.000MHz	-0.389 dB	-56.144 dB
5:	164.000MHz	-0.430 dB	-45.629 dB
6:			
7:			
8:			
9:			
10:			