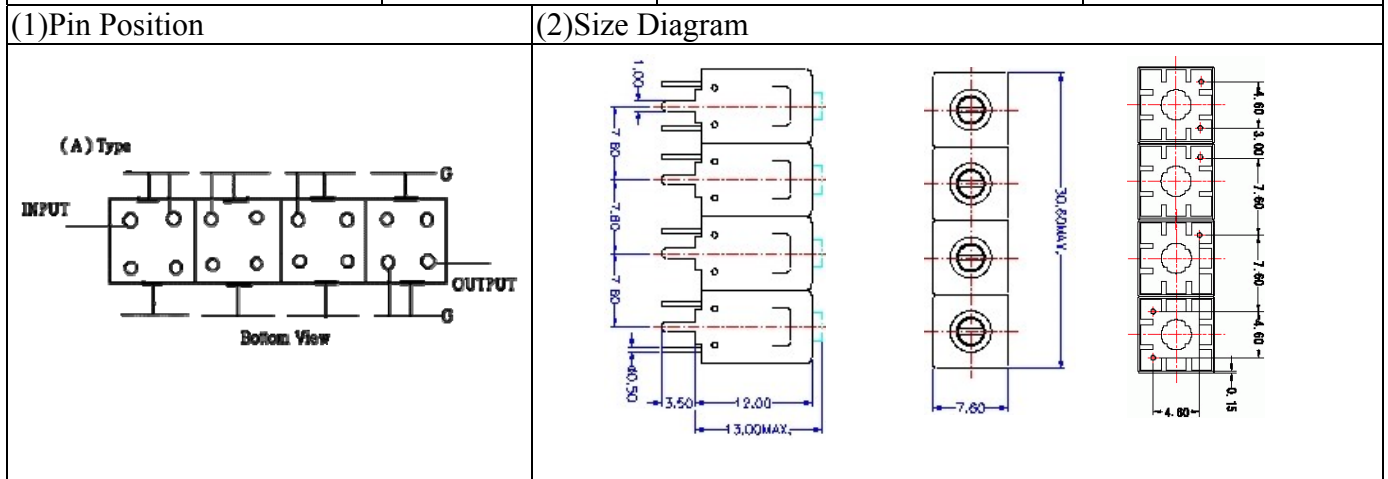
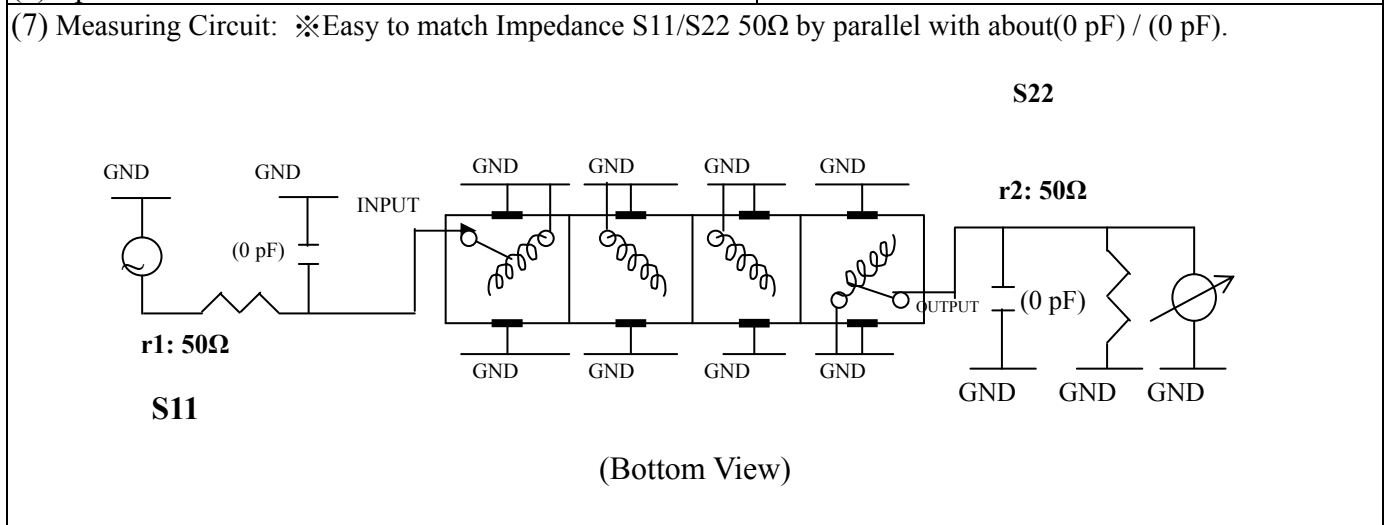


VHF UHF Helical Filter Specification Sheet

Customer Name		Temwell's Part No.	TF6920A-341.4M
Approval No. /dated	2006017APR	Acceptable Specify Fo Range	311~355MHz
Work Instruction No.	2006017D	Date	Jan.10.2008



(3) Electric Characteristic					
Item		Specify		Performance	
Center Freq.(Fo) +/- 0.5 %		341.4	MHz	341.4	MHz
Insertion Loss		Typ. 2.0	dB	1.30	dB
-3 dB Bandwidth		Typ. 40	MHz	43.3	MHz
Sensitivity (Attenuation)	Fo - 50 MHz	Typ. 35	dBc	38	dBc
	Fo + 50 MHz	Typ. 25	dBc	28	dBc
	Fo - ()MHz	Typ.	dBc		dBc
	Fo +()MHz	Typ.	dBc		dBc
Return Loss		Min. 12	dB	29.4	dB
Ripple		< 1	dB		dB
Impedance		In / Out : 50 Ω		In / Out : 50 Ω	
(4) Torque for Tuning Screw		> 100gf · cm			
(5) Temperature Condition:					
Operating Temperature		0°C ~ +60°C			
Storage Temperature		-20°C ~ +70°C			
(6) Input Power		> 1Watt			

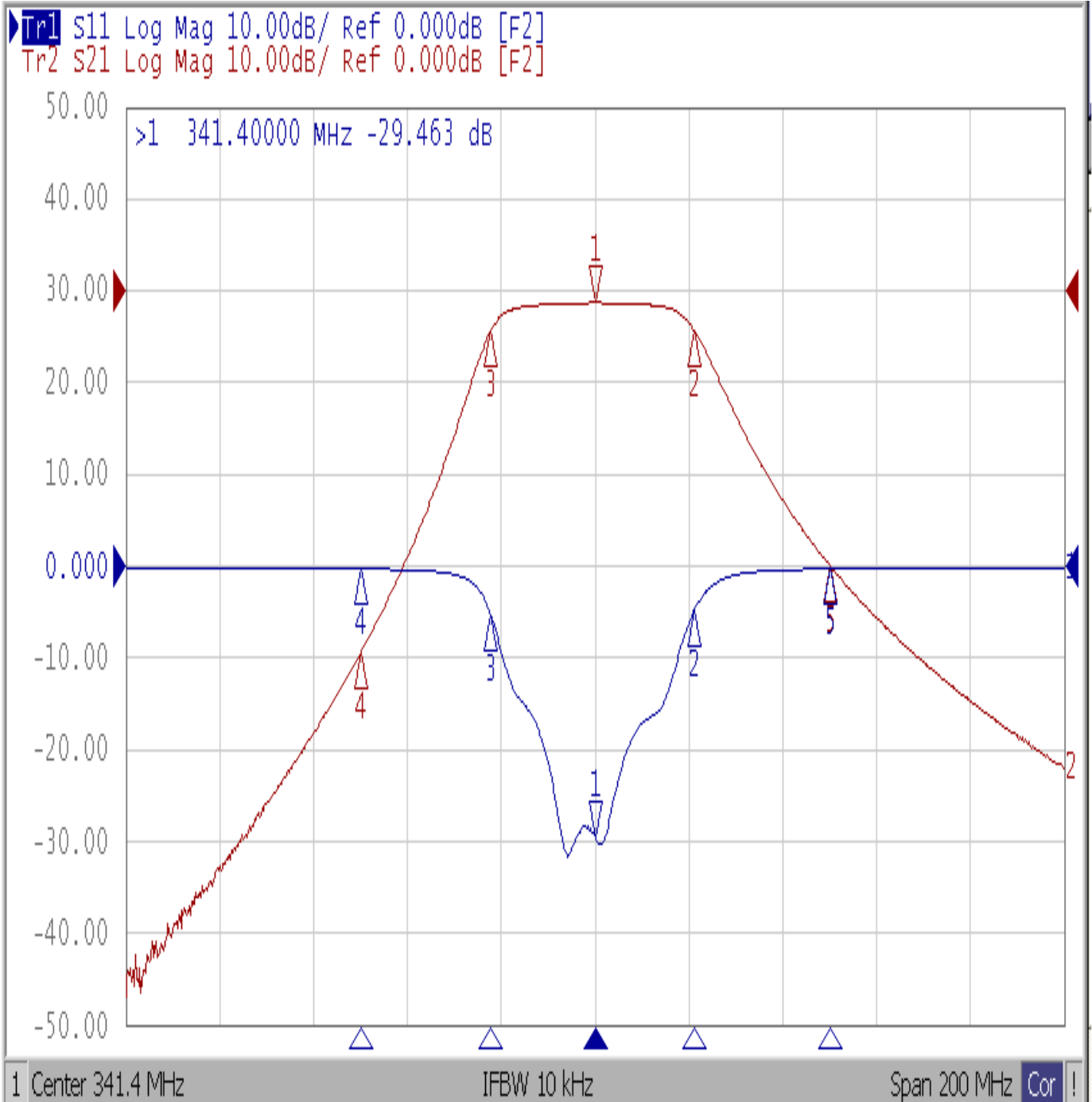


Approval	Supervisor	Designer	Aperture size
C.Y.Chang	C.S.Chang	C.S.Chang	7H4(4*5.5) 7H046LB5.5

TEMWELL CORPORATION

Performance-TF6920A-341.4M

2006017D



Ch1	Tr1	S11	>1	341.40000	MHz	-29.463	dB
Ch1	Tr1	S11	2	362.45100	MHz	-4.9318	dB
Ch1	Tr1	S11	3	319.19700	MHz	-5.2999	dB
Ch1	Tr1	S11	4	291.40000	MHz	-0.3021	dB
Ch1	Tr1	S11	5	391.40000	MHz	-0.3174	dB
Ch1	Tr2	S21	1	341.40000	MHz	-1.3057	dB
Ch1	Tr2	S21	2	362.45100	MHz	-4.2607	dB
Ch1	Tr2	S21	3	319.19700	MHz	-4.3473	dB
Ch1	Tr2	S21	4	291.40000	MHz	-39.475	dB
Ch1	Tr2	S21	5	391.40000	MHz	-29.927	dB