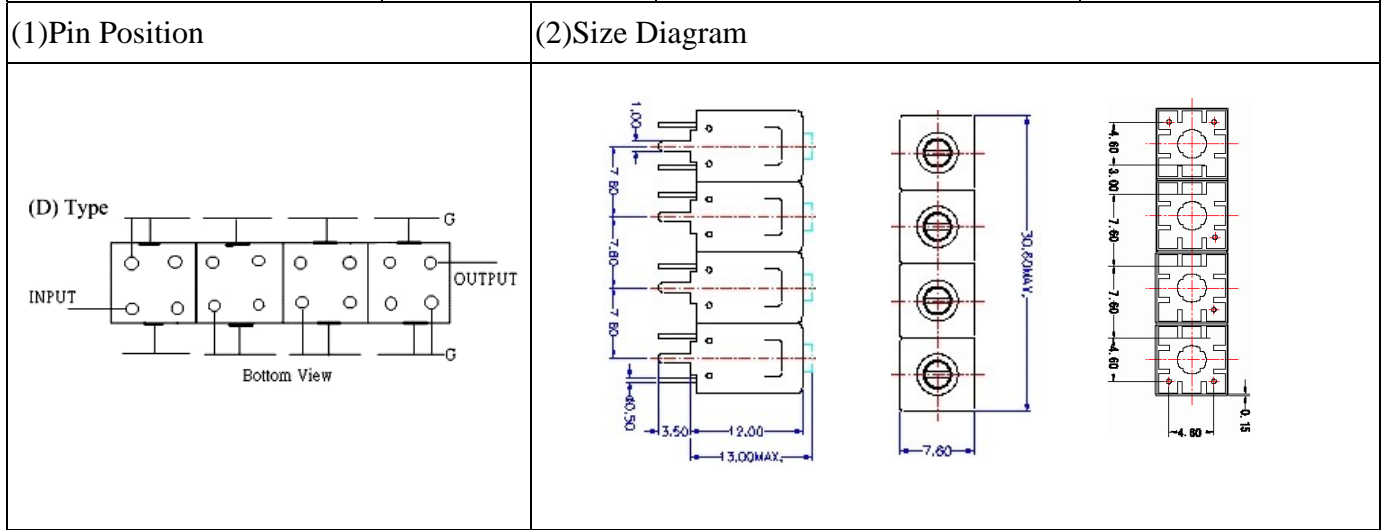


VHF UHF Helical Filter Specification Sheet

Customer Name		Temwell's Part No.	TF69207D-630M
Approval No. /dated	20205013DB	Acceptable Specify Fo. Range	596~640MHz
Work Instruction No.	20205013DB	Date	May.08.2002



(3) Electric Character

Item	Specify	Performance
Center Freq.(Fo) +/- 0.5 %	630 MHz	630 MHz
Insertion Loss	Typ. 4.0 dB	3.01 dB
-3 dB Bandwidth	Typ. 13 MHz	16.7 MHz
Sensitivity (Attenuation)	Fo - 30 MHz	Typ. 47 dBc
	Fo + 30 MHz	Typ. 36 dBc
	Fo - ()MHz	Typ. dBc
	Fo +()MHz	Typ. dBc
Return Loss	Min. 12 dB	21.4 dB
Ripple	< 1 dB	dB
Impedance	In / Out : 50 Ω	In / Out : 50 Ω
(4) Torque for Tuning Screw	> 100gf · cm	

(5) Temperature Condition:

Operating Temperature	0°C ~ +60°C
Storage Temperature	-20°C ~ +70°C
(6) Input Power	> 1Watt

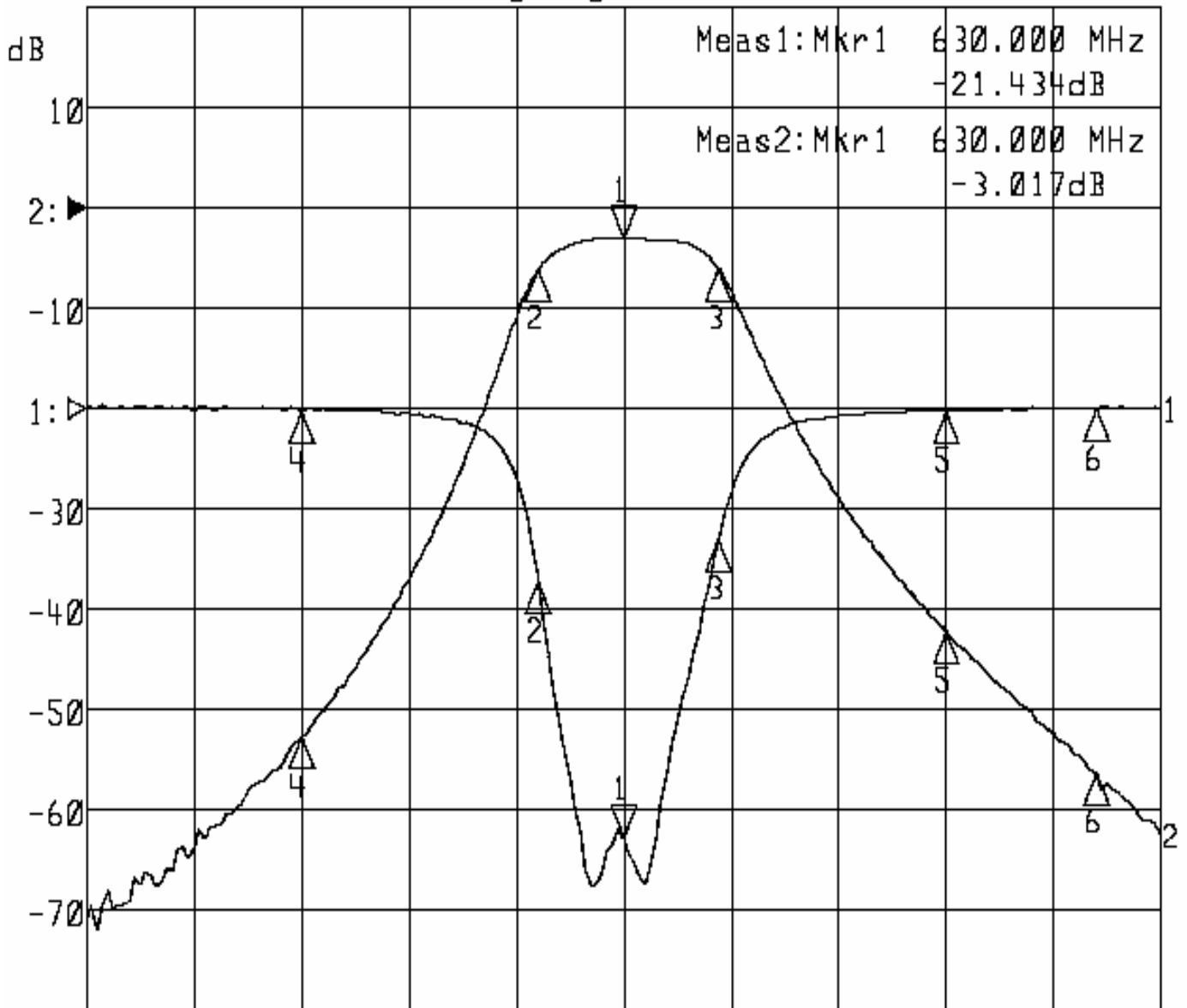
Approval	Supervisor	Designer	Aperture size
C.Y.Chang	C.S.Chang	C.S.Chang	7H4S(4*5.5) 7H046LB4 聚 3

TEMWELL CORPORATION

Performance-TF69207D-630M

20205013DB

▶1:S11 Refl Port1 Log Mag 5.0 dB/ Ref 0.00 dB C
▶2:S21 Fwd Trans Log Mag 10.0 dB/ Ref 0.00 dB C



Center 630.000 MHz

Span 100.000 MHz

1: Mkr (MHz)	dB	2: Mkr (MHz)	dB
1> 630.0000	-21.434	1> 630.0000	-3.017
2: 622.1000	-8.675	2: 622.1000	-6.081
3: 638.8667	-6.456	3: 638.8667	-6.029
4: 600.0000	-0.114	4: 600.0000	-52.802
5: 660.0000	-0.095	5: 660.0000	-42.199
6: 674.0000	-0.011	6: 674.0000	-56.246