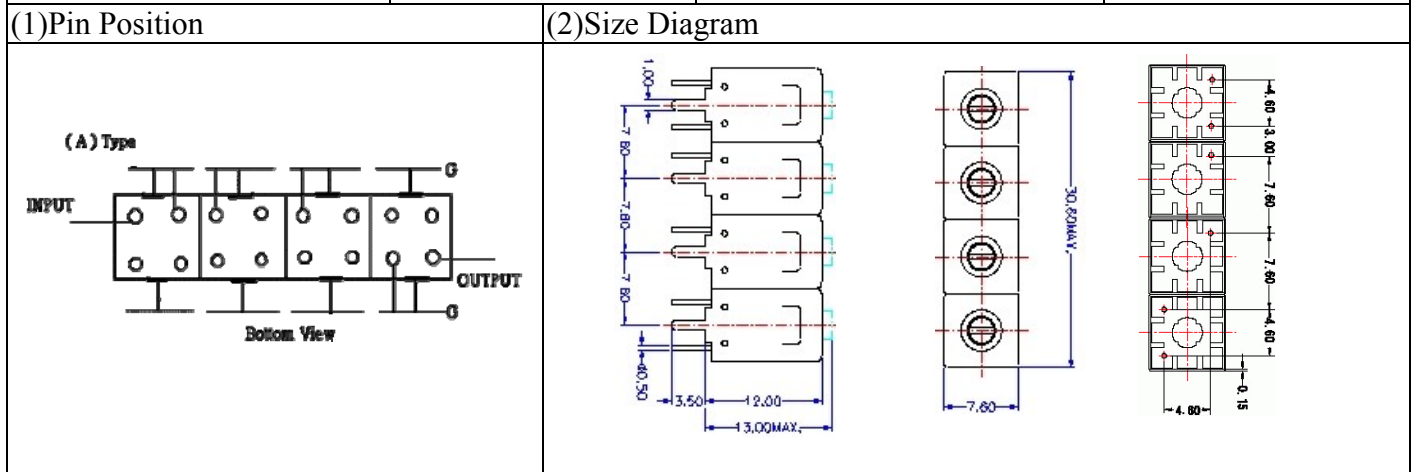


VHF UHF Helical Filter Specification Sheet

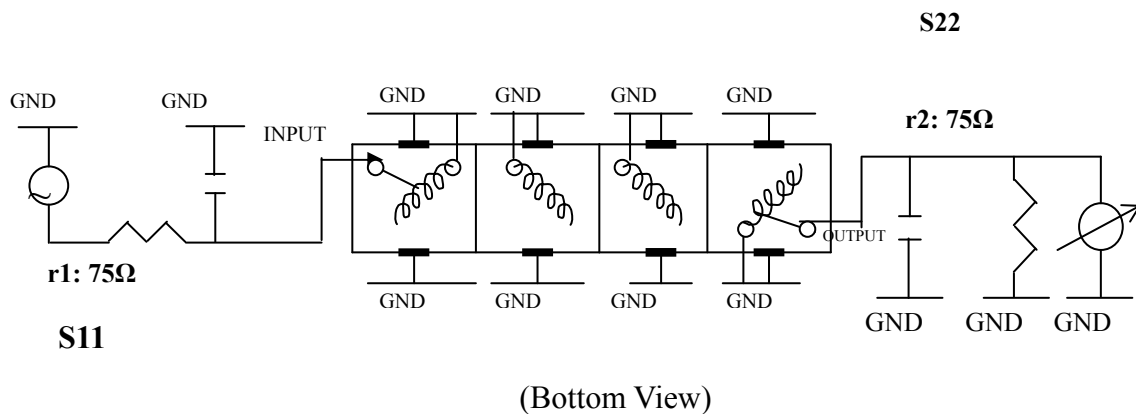
Customer Name		Temwell's Part No.	TF69202A-546M
Approval No. /dated	201703054CD	Temwell's Print Name	69202A 546M
Work Instruction No.	201703054CD	Date	Mar.30.2017



(3) Electric Characteristic

Item	Specify	Performance	
Center Freq.(Fo) +/- 0.5 %	546 MHz	546 MHz	
Insertion Loss	Typ. 4.0 dB	3.03 dB	
-3 dB Bandwidth	Typ. 10 MHz	17.3 MHz	
Sensitivity (Attenuation)	Fo - 50 MHz	Typ. 70 dBc	87 dBc
	Fo + 50 MHz	Typ. 40 dBc	52 dBc
	Fo - ()MHz	Typ. dBc	dBc
	Fo + ()MHz	Typ. dBc	dBc
Return Loss	Min. 12 dB	22.8 dB	
Ripple	< 1 dB	dB	
Impedance	In / Out : 50 Ω	In / Out : 50 Ω	
(4) Torque for Tuning Screw	> 60gf · cm		
(5) Temperature Condition:			
Operating Temperature	0°C ~ +60°C		
Storage Temperature	-20°C ~ +70°C		
(6) Input Power	> 1Watt		

(7) Measuring Circuit: ※Easy to match Impedance S11/S22 /50Ω by parallel with about(- -).



Approval	Supervisor	Designer	Aperture size
C.Y.Chang	C.K.Chang	P.H.Chiang	7H4S(4*4.65)(4.68) 7H046LB4.3

TEMWELL CORPORATION

Performance-TF69202A-546M

201703054CD

