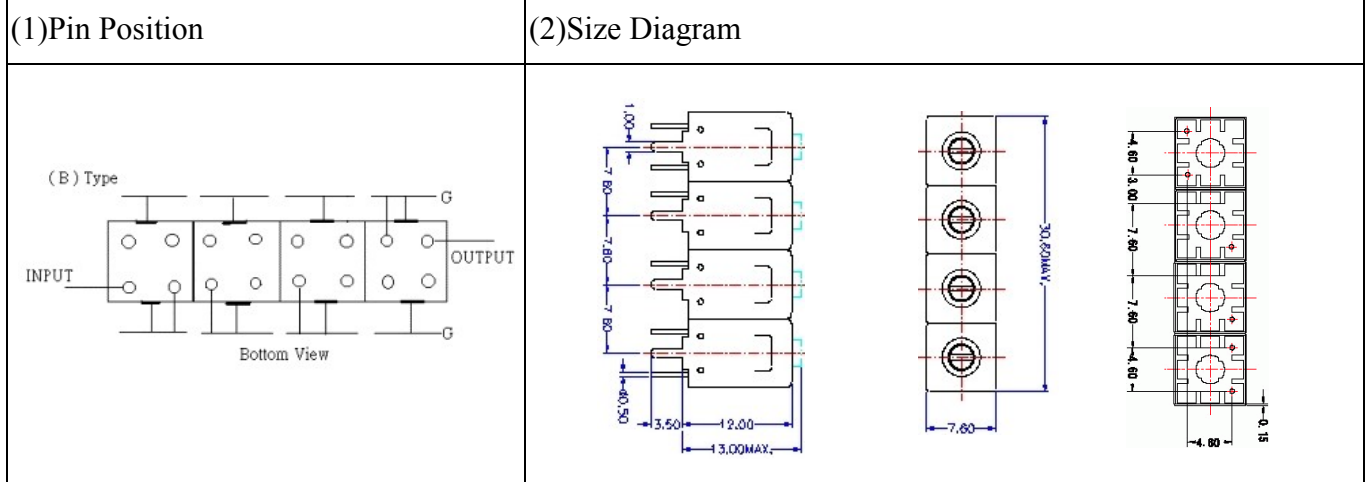
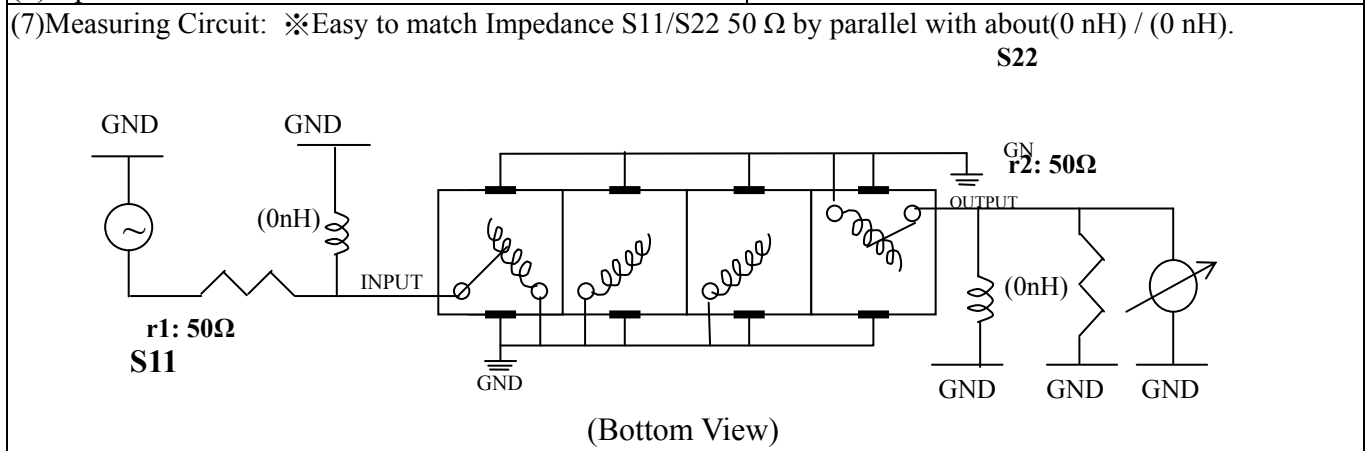


# VHF UHF Helical Filter Specification Sheet

Customer Name		Temwell's Part No.	TF69198B1-124M
Approval No. /dated	0806073CD	Acceptable Fo Specify Range	108-125MHz
Work Instruction No.	0806073CD	Date	June.02.2008



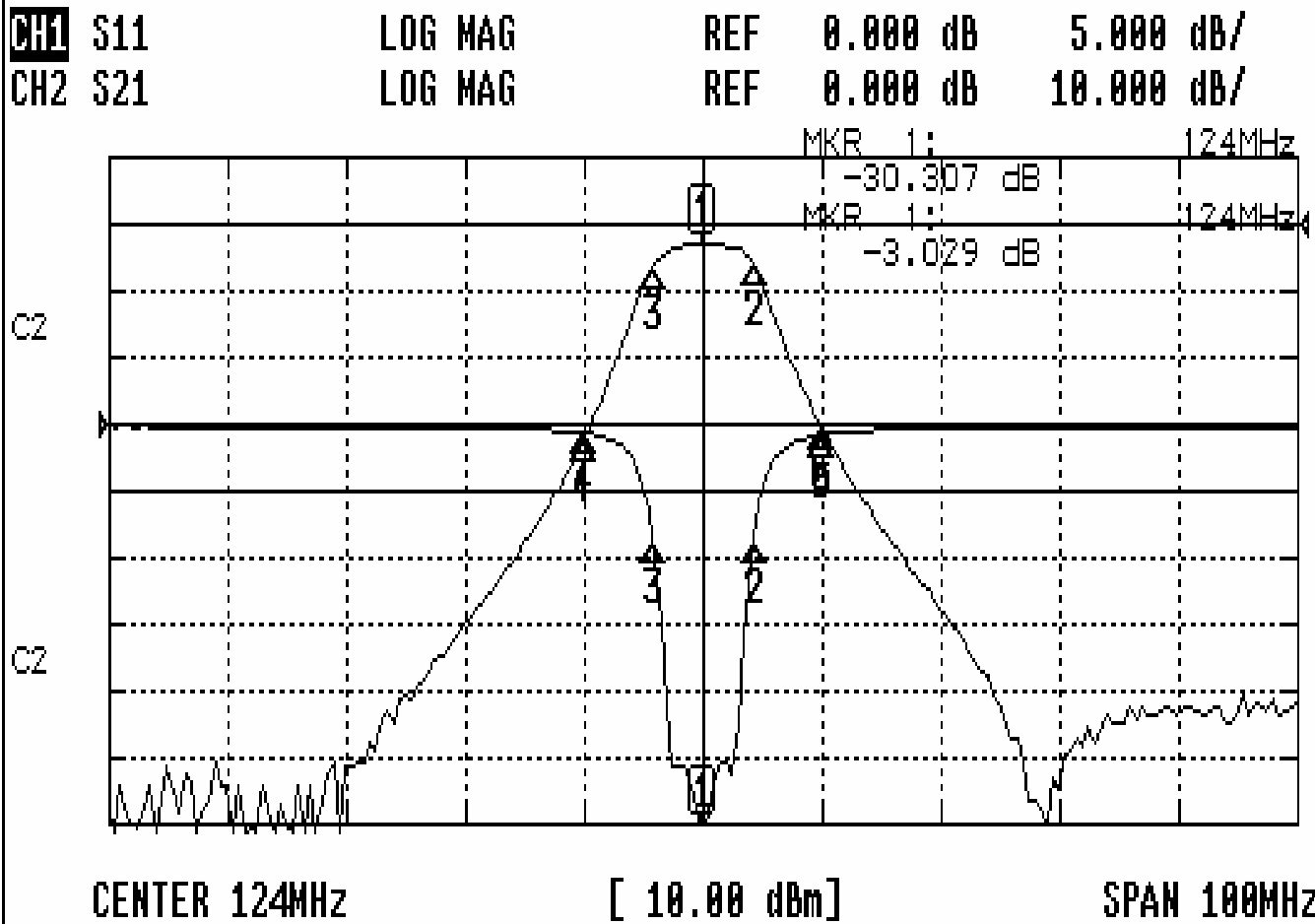
(3) Electric Characteristic		Item	Specify	Performance
Center Freq.(Fo ) +/- 0.5 %			124 MHz	124 MHz
Insertion Loss		Typ.	4.0 dB	3.02 dB
-3 dB Bandwidth		Typ.	6 MHz	8.4 MHz
Sensitivity (Attenuation)	Fo - 10 MHz	Typ.	26 dBc	29 dBc
	Fo + 10 MHz	Typ.	24 dBc	27 dBc
	Fo - ( )MHz	Typ.	dBc	dBc
	Fo +( )MHz	Typ.	dBc	dBc
Return Loss		Min.	12 dB	30.3 dB
Ripple			< 1 dB	dB
Impedance			In / Out : 50 Ω	In / Out : 50 Ω
(4) Torque for Tuning Screw			> 100gf • cm	
(5) Temperature Condition:				
Operating Temperature			0°C ~ +60°C	
Storage Temperature			-20°C ~ +70°C	
(6) Input Power			> 1Watt	



Approval	Supervisor	Designer	Aperture size
C.Y.Chang	C.S.Chang	P.H.Chiang	7H4(4*4.65F) 7H024LB6.5
TEMWELL CORPORATION			

# Performance-TF69198B1-124M

## 0806073CD



### CH1 MARKER LIST

1	124.000MHz	-30.307	dB
2	128.250MHz	-3.029	dB
3	119.833MHz	-16.139	dB
4	114.000MHz	-32.279	dB
5	134.000MHz	-30.335	dB

### CH2 MARKER LIST

1	124.000MHz	-30.307	dB
2	128.250MHz	-3.029	dB
3	119.833MHz	-16.139	dB
4	114.000MHz	-32.279	dB
5	134.000MHz	-30.335	dB