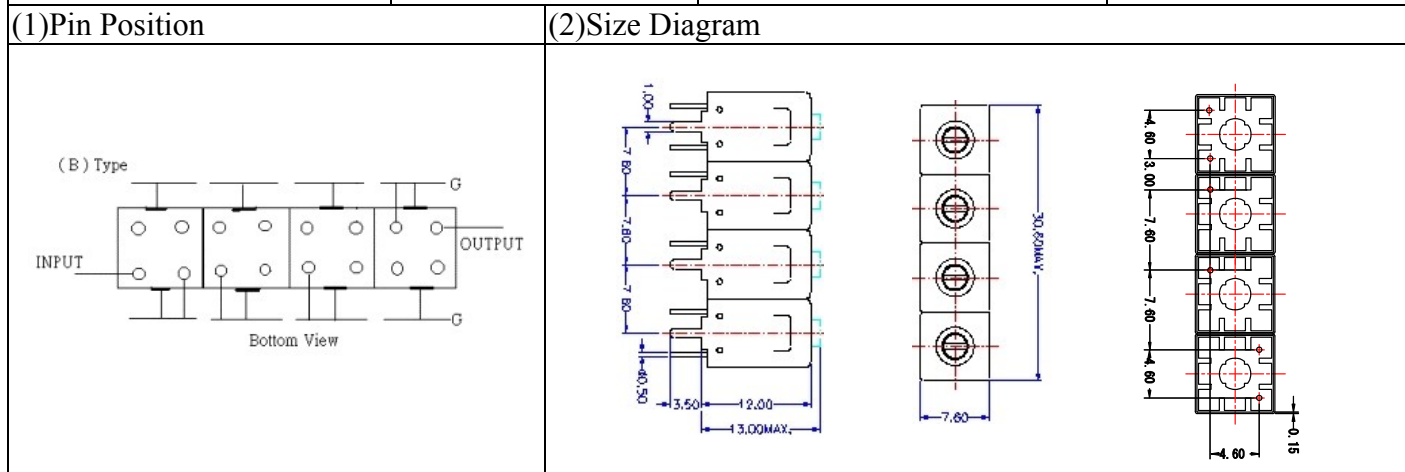


VHF UHF Helical Filter Specification Sheet

Customer Name		Temwell's Part No.	TF69188B-70M
Approval No. /dated	201701035CD	Temwell's Print Name	69188B 70M
Work Instruction No.	201701035CD	Date	Jan.23.2017



(3) Electric Characteristic

Item	Specify	Performance	
Center Freq.(Fo) +/- 0.5 %	70 MHz	70 MHz	
Insertion Loss	Typ. 4.5 dB	3.88 dB	
-3 dB Bandwidth	Typ. 4 MHz	6.7 MHz	
Sensitivity (Attenuation)	Fo - 10 MHz	Typ. 42 dBc	46 dBc
	Fo + 10 MHz	Typ. 33 dBc	40 dBc
	Fo - ()MHz	Typ. dBc	dBc
	Fo + ()MHz	Typ. dBc	dBc
Return Loss	Min. 12 dB	15.0 dB	
Ripple	< 1 dB	dB	
Impedance	In / Out : 50 Ω	In / Out : 50 Ω	
(4) Torque for Tuning Screw	> 60gf · cm		

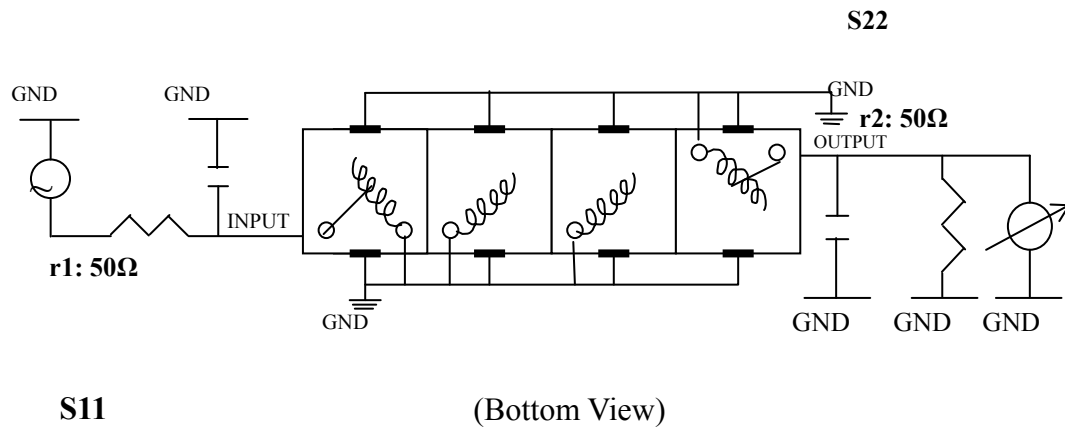
(5) Temperature Condition:

Operating Temperature	0°C ~ +60°C
Storage Temperature	-20°C ~ +70°C

(6) Input Power

	> 1Watt
--	---------

(7) Measuring Circuit: ※Easy to match Impedance S11/S22 50Ω by parallel with about(- -).



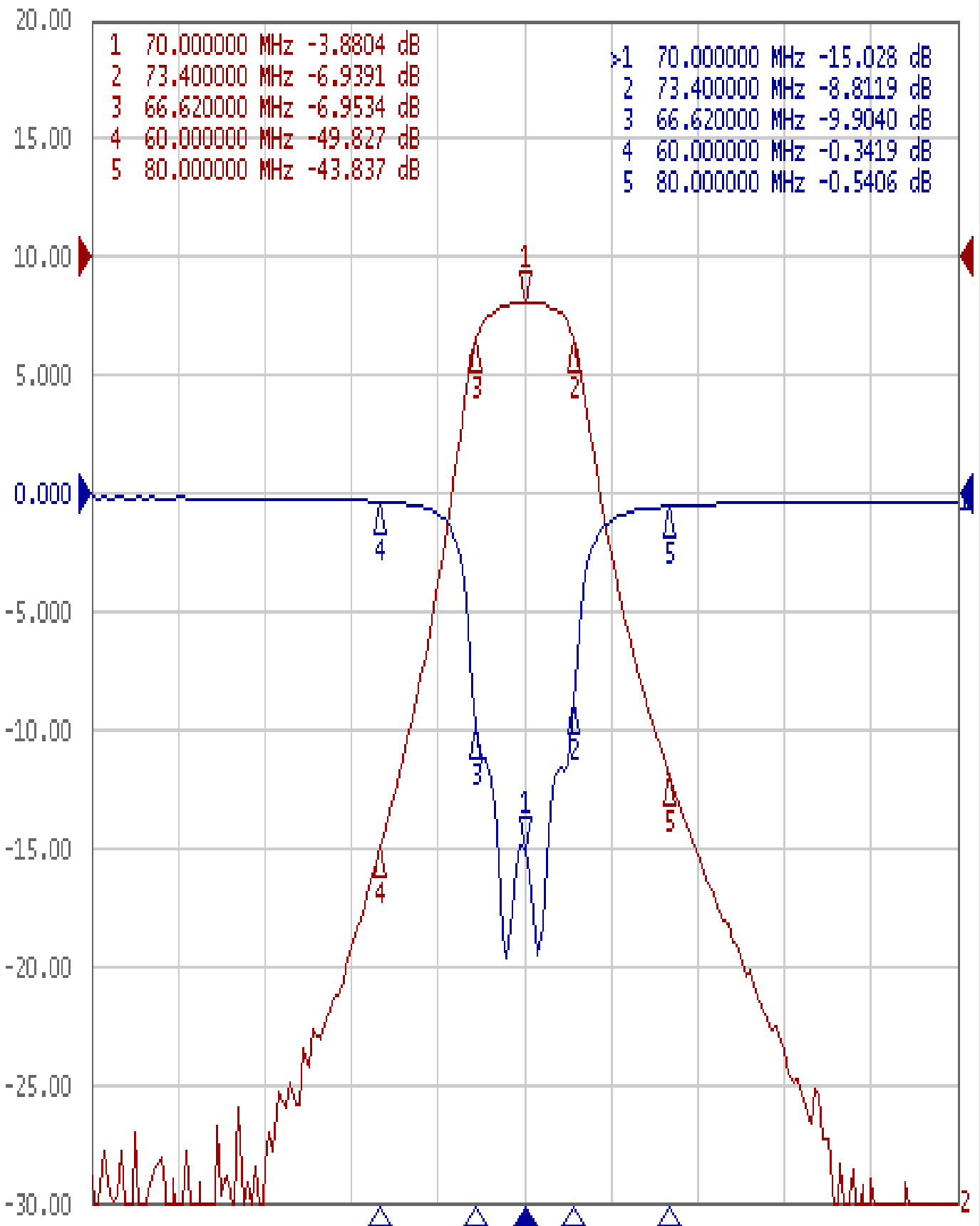
Approval	Supervisor	Designer	Aperture size
C.Y.Chang	C.K.Chang	W.W.Wang	7H4S(4*5.35)(5.38) 7H00LB6

TEMWELL CORPORATION

Performance-TF69188B-70M

201701035C

Tr1 S11 Log Mag 5.000dB/ Ref 0.000dB [F2]
Tr2 S21 Log Mag 10.00dB/ Ref 0.000dB [F2]



1 Center 70 MHz

IFBW 70 kHz

Span 60 MHz Cor !