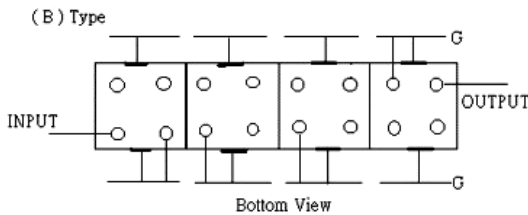
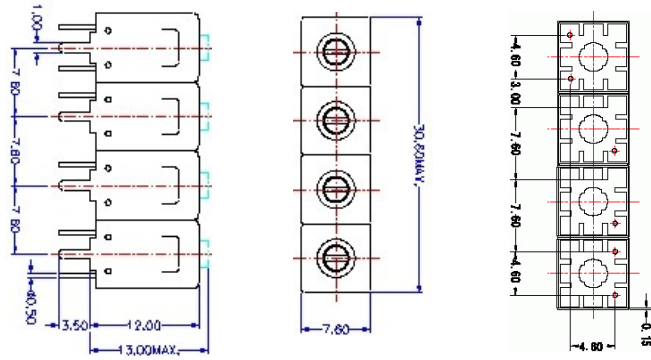


VHF UHF Helical Filter Specification Sheet

Customer Name		Temwell's Part No.	TF69184B-200M
Approval No. /dated	20305027DB	Acceptable Specify Fo. Range	196~220MHz
Work Instruction No.	20305027DB	Date	May.27.2003

(1)Pin Position	(2)Size Diagram
 <p>(B) Type INPUT OUTPUT Bottom View</p>	

(3)Electric Charasteric

Item	Specify	Performance	
Center Freq.(Fo) +/- 0.5 %	200 MHz	200 MHz	
Insertion Loss	Typ. 4.0 dB	3.09 dB	
-3 dB Bandwidth	Typ. 17 MHz	19 MHz	
Sensitivity (Attenuation)	Fo - 50 MHz	Typ. 68 dBc	71 dBc
	Fo + 50 MHz	Typ. 57 dBc	60 dBc
	Fo - ()MHz	Typ. dBc	dBc
	Fo +()MHz	Typ. dBc	dBc
Return Loss	Min. 12 dB	22.5 dB	
Ripple	< 1 dB	dB	
Impedance	In / Out : 50 Ω	In / Out : 50 Ω	

(4)Torque for Tuning Screw > 100gf · cm

(5)Temperature Condition:

Operating Temperature	0°C ~ +60°C
Storage Temperature	-20°C ~ +70°C

(6)Input Power > 1Watt

Approval	Supervisor	Designer	Aperture size
C. Y. Chang	C. S. Chang	C. S. Chang	7H4S(4*4.74) 7H00LB6

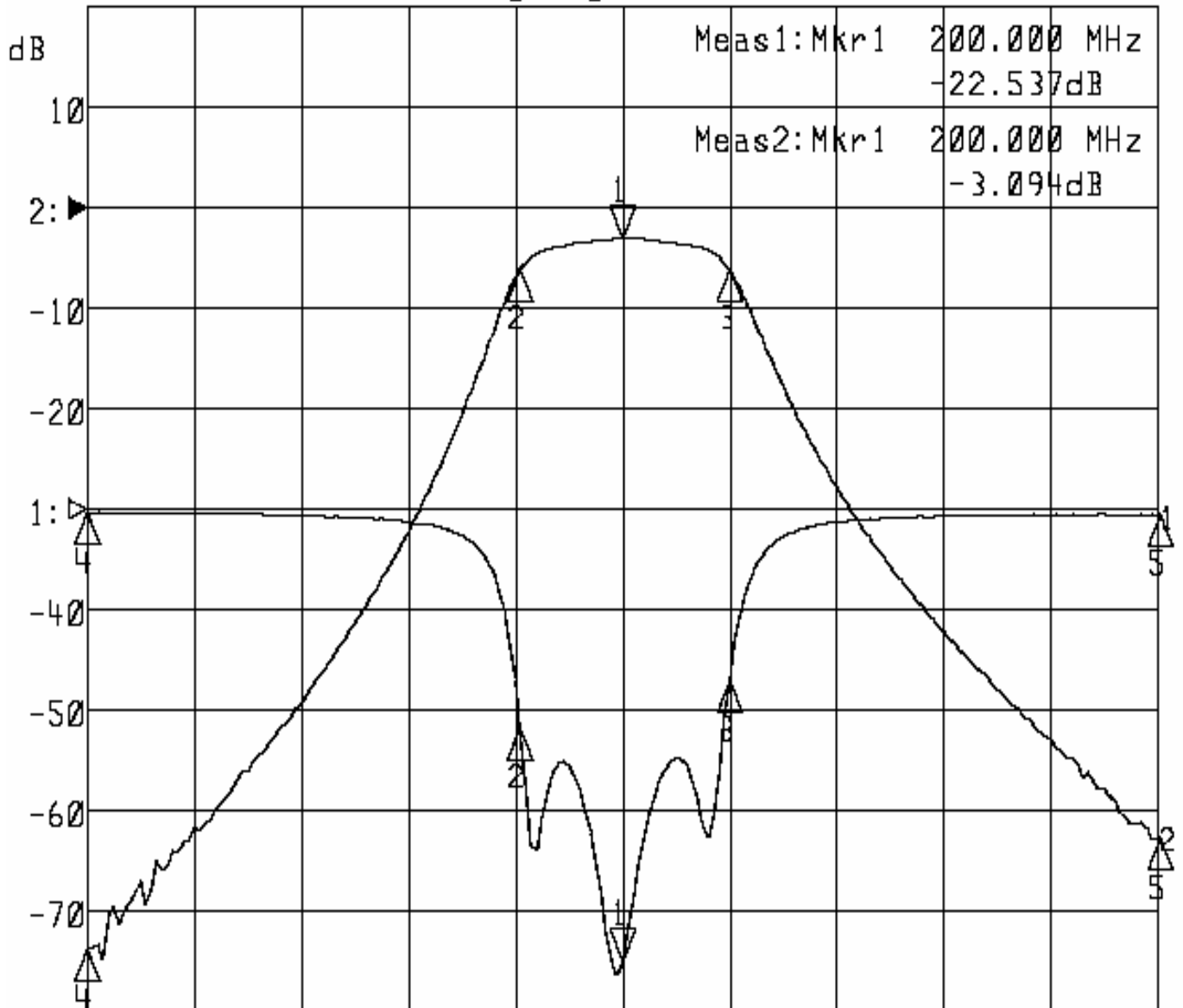
TEMWELL CORPORATION

Performance-TF69184B-200M

20305027DB

▷1:S11 Refl Port1 Log Mag 5.0 dB/ Ref 0.00 dB C?

▶2:S21 Fwd Trans Log Mag 10.0 dB/ Ref 0.00 dB C?



Center 200.000 MHz

Span 100.000 MHz

1: Mkr (MHz)	dB	2: Mkr (MHz)	dB
1> 200.0000	-22.537	1> 200.0000	-3.094
2: 190.4667	-10.819	2: 190.4667	-6.101
3: 209.9667	-8.443	3: 209.9667	-6.088
4: 150.0000	-0.186	4: 150.0000	-73.768
5: 250.0000	-0.285	5: 250.0000	-62.704