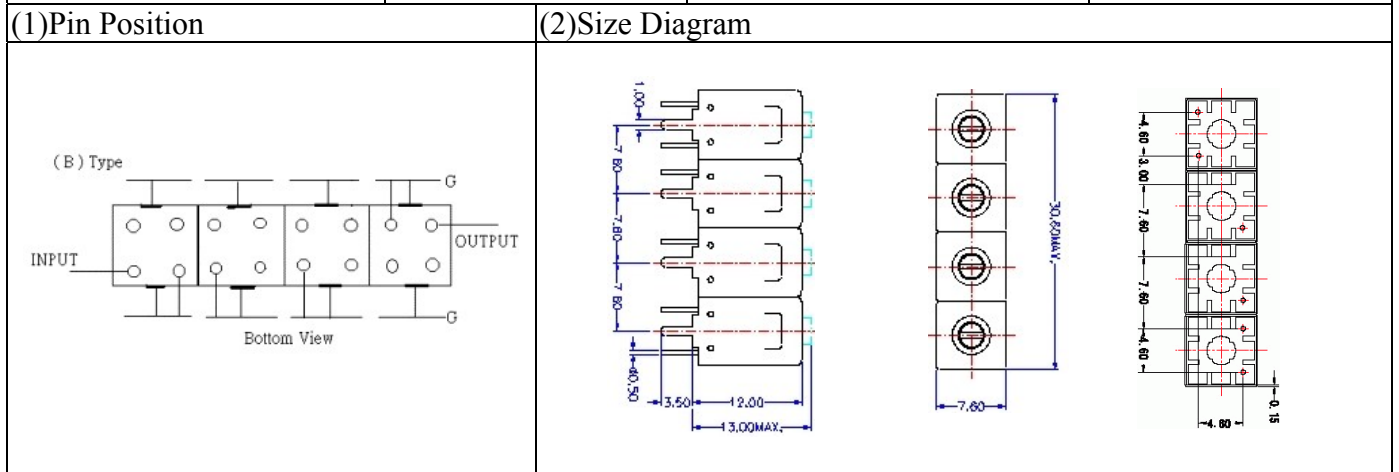


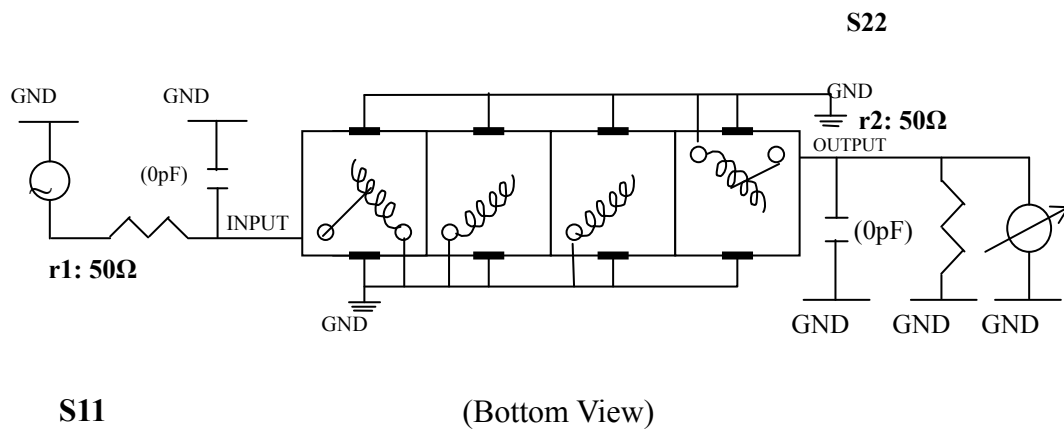
# VHF UHF Helical Filter Specification Sheet

Customer Name		Temwell's Part No.	TF69181B1-128M
Approval No. /dated	0901077CD	Temwell's Print Name	69181B1 128M
Work Instruction No.	200901077CD	Date	Feb.26.2009



(3) Electric Characteristic			
Item		Specify	Performance
Center Freq.(Fo ) +/- 0.5 %		128 MHz	128 MHz
Insertion Loss		Typ. 2.5 dB	1.41 dB
-3 dB Bandwidth		Typ. 20 MHz	23.6 MHz
Sensitivity (Attenuation)	Fo - 30 MHz	Typ. 45 dBc	48 dBc
	Fo + 30 MHz	Typ. 30 dBc	33 dBc
	Fo - ( )MHz	Typ. dBc	dBc
	Fo +( )MHz	Typ. dBc	dBc
Return Loss		Min. 12 dB	22.1 dB
Ripple		< 1 dB	dB
Impedance		In / Out : 50 Ω	In / Out : 50 Ω
(4) Torque for Tuning Screw		> 100gf · cm	
(5) Temperature Condition:			
Operating Temperature		0°C ~ +60°C	
Storage Temperature		-20°C ~ +70°C	
(6) Input Power		> 1Watt	

(7) Measuring Circuit: ※ Easy to match Impedance S11/S22 50Ω/ by parallel with about(0pF) / (0 pF).



Approval	Supervisor	Designer	Aperture size
C.Y.Chang	C.S.Chang	C.S.Chang	7H4(4*6.5F)(6.58) (7H024RB6.5)

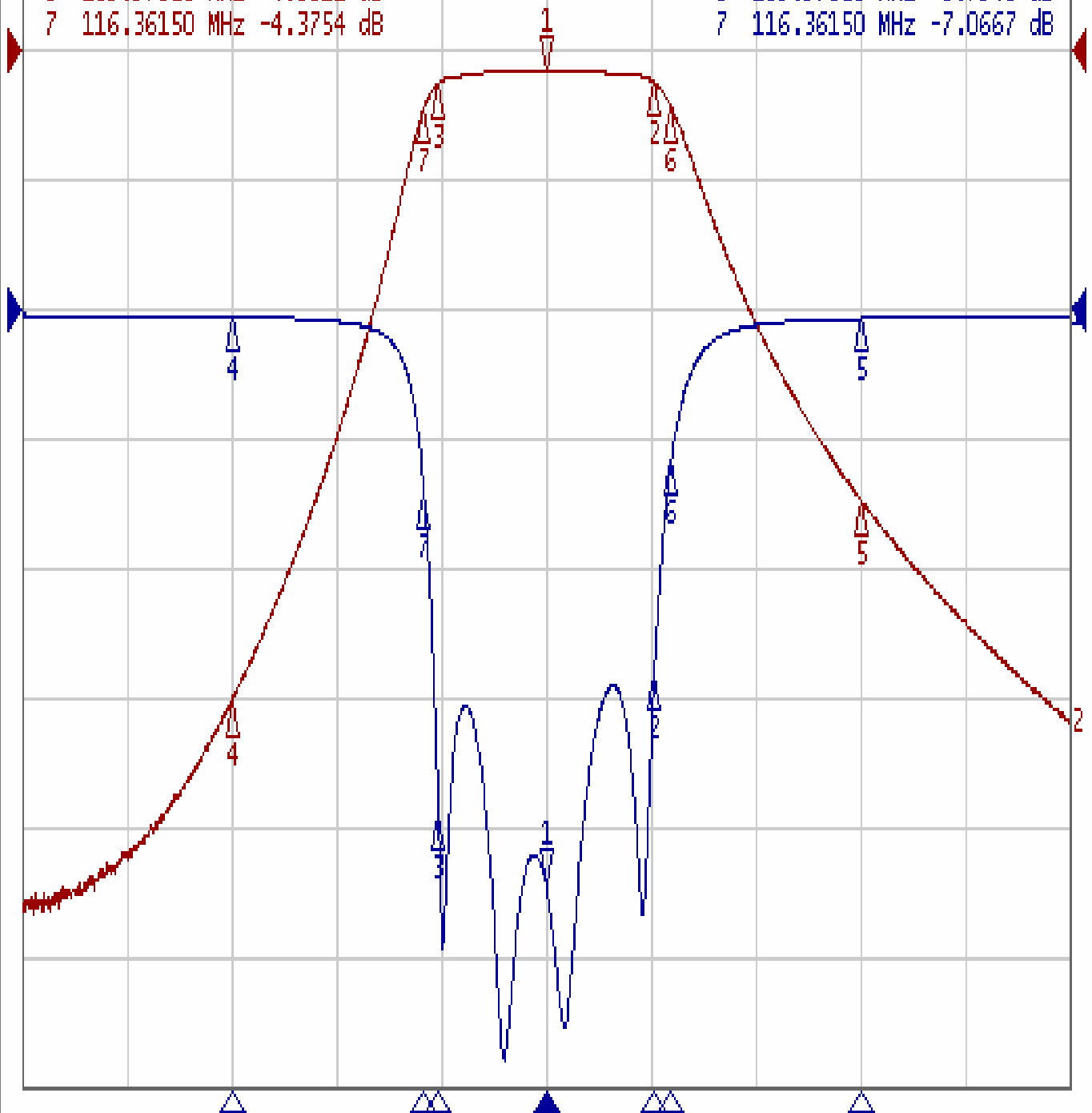
TEMWELL CORPORATION

# Performance-TF69181B1-128M

200901077CD

▶ Tr1 S11 Log Mag 5.000dB/ Ref 0.000dB [F3]  
Tr2 S21 Log Mag 10.000dB/ Ref 0.000dB [F3]

1	128.00000 MHz	-1.4121 dB	>1	128.00000 MHz	-22.196 dB
2	138.32713 MHz	-2.4022 dB	2	138.32713 MHz	-14.131 dB
3	117.71425 MHz	-2.4706 dB	3	117.71425 MHz	-19.487 dB
4	98.000000 MHz	-50.280 dB	4	98.000000 MHz	-0.2480 dB
5	158.00000 MHz	-34.621 dB	5	158.00000 MHz	-0.3147 dB
6	139.97625 MHz	-4.3811 dB	6	139.97625 MHz	-5.7946 dB
7	116.36150 MHz	-4.3754 dB	7	116.36150 MHz	-7.0667 dB



1 Center 128 MHz

IFBW 10 kHz

Span 100 MHz

