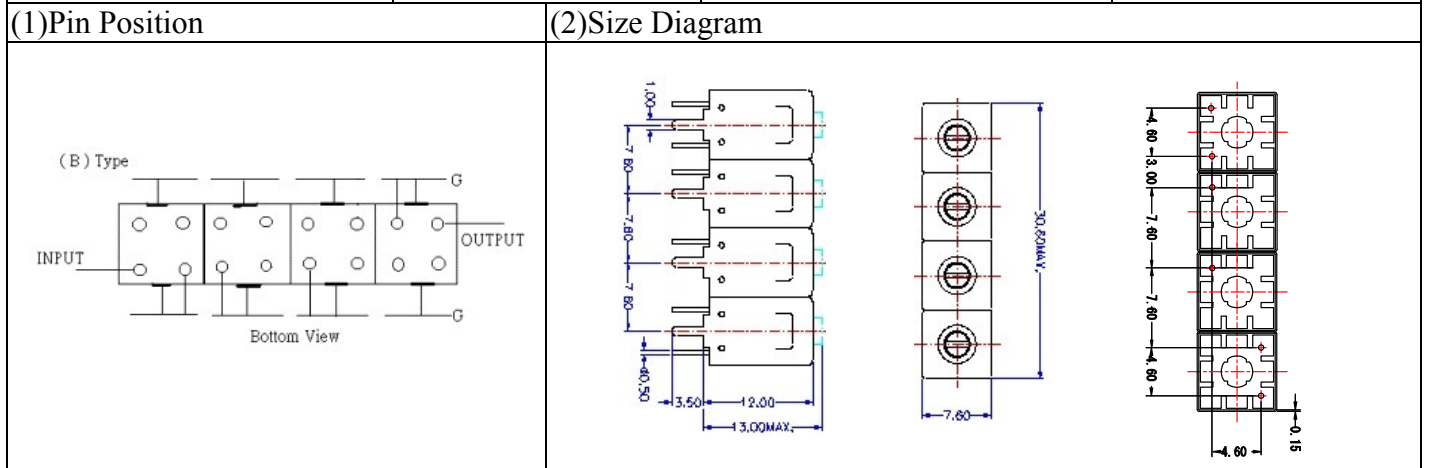


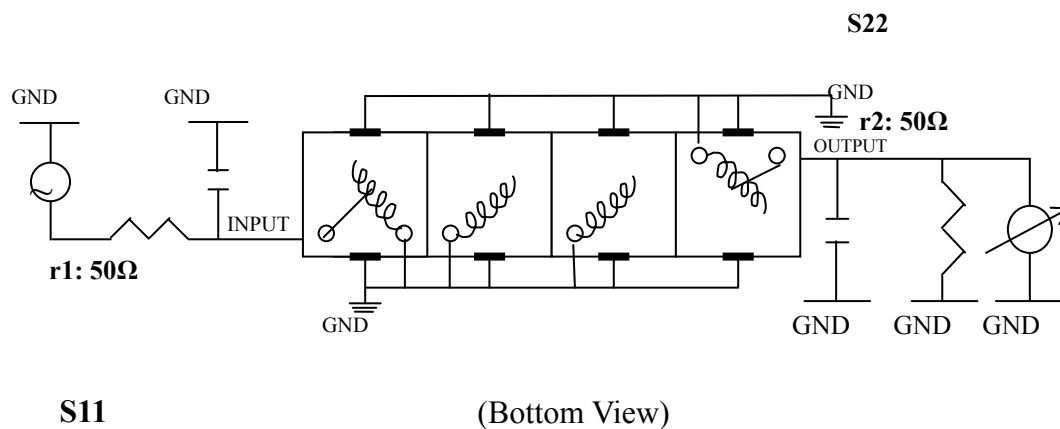
VHF UHF Helical Filter Specification Sheet

Customer Name		Temwell's Part No.	TF69180B-365M
Approval No. /dated	201702037CD	Temwell's Print Name	69180B 365M
Work Instruction No.	201702037CD	Date	Mar.02.2017



(3) Electric Characteristic			
Item		Specify	Performance
Center Freq.(Fo) +/- 0.5 %		365 MHz	365 MHz
Insertion Loss		Typ. 3.0 dB	2.35 dB
-3 dB Bandwidth		Typ. 15 MHz	18.4 MHz
Sensitivity (Attenuation)	Fo - 50 MHz	Typ. 75 dBc	85 dBc
	Fo + 50 MHz	Typ. 50 dBc	55 dBc
	Fo - ()MHz	Typ. dBc	dBc
	Fo +()MHz	Typ. dBc	dBc
Return Loss		Min. 12 dB	22.2 dB
Ripple		< 1 dB	dB
Impedance		In / Out : 50 Ω	In / Out : 50 Ω
(4) Torque for Tuning Screw		> 60gf • cm	
(5) Temperature Condition:			
Operating Temperature		0°C ~ +60°C	
Storage Temperature		-20°C ~ +70°C	
(6) Input Power		> 1Watt	

(7) Measuring Circuit: ※Easy to match Impedance S11/S22 50Ω by parallel with about(- -).

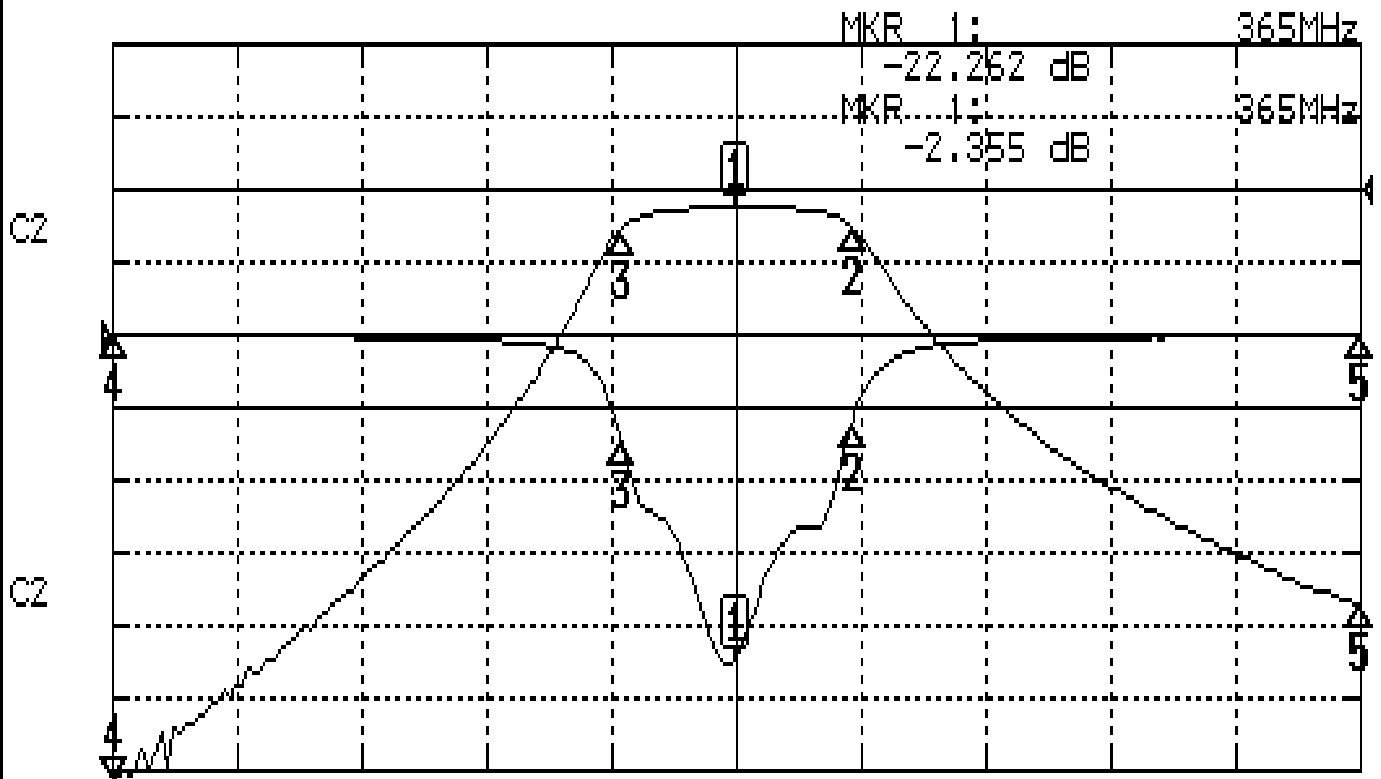


Approval	Supervisor	Designer	Aperture size
C.Y.Chang	C.K.Chang	C.H.Yeh	7H4S(4*6.8)(6.85) 7H046LB4.3 聚 3
TEMWELL CORPORATION			

Performance-TF69180B-365M

201702037CD

CH1 S11 LOG MAG REF 0.000 dB 5.000 dB/
CH2 S21 LOG MAG REF 0.000 dB 10.000 dB/



CENTER 365MHz

[10.00 dBm]

SPAN 100MHz

CH1 MARKER LIST

1:	365.000MHz	-22.276	dB
2:	374.333MHz	-6.165	dB
3:	355.880MHz	-7.326	dB
4:	315.000MHz	-0.070	dB
5:	415.000MHz	-0.072	dB

CH2 MARKER LIST

1:	365.000MHz	-2.355	dB
2:	374.333MHz	-6.322	dB
3:	355.880MHz	-7.330	dB
4:	315.000MHz	-0.378	dB
5:	415.000MHz	58.012	dB